

WRANGLER 3-IN-1 GROW WITH ME WALKER

Jeep®

INSTRUCTION MANUAL

22508

⚠ WARNING: CHOKING HAZARD

Adult assembly required because of small parts. Keep assembly parts out of reach of children under 3 years.

**ADULT ASSEMBLY REQUIRED
STYLES AND COLORS MAY VARY**



Read all instructions BEFORE assembly and USE of product. KEEP INSTRUCTIONS FOR FUTURE USE.

REQUIRED: (x2) "AA" Batteries (not included)
Phillips Screwdriver (not included)



www.DeltaChildren.com

Customer Care Tel. (646) 435-8726

DCP-IM-08202018-EN-V1

WARNING

Failure to follow these warnings and instructions could result in serious injury or death.

Read all instructions before assembling unit.

KEEP INSTRUCTIONS FOR FUTURE USE. DO NOT USE THIS UNIT IF THE INSTRUCTIONS CANNOT BE STRICTLY FOLLOWED.

WARNING:

- **NEVER** LEAVE CHILD UNATTENDED!
- **ALWAYS** KEEP CHILD IN VIEW WHILE IN WALKER.
- **NEVER** use near stairs or thresholds.
- Before each use clean friction components to maintain stopping performance.
- Strings can cause strangulation! **DO NOT** place items with a string around child's neck, such as hood strings or pacifier cords. **DO NOT** suspend strings over product or attach string to toys.
- To avoid burn injuries, always keep child away from ranges, radiators, hot liquids, space heaters, fireplaces, etc.
- To avoid drowning, never use near pools, bathtubs, etc.
- Always check that surfaces are flat and free of objects that may cause tipping over either indoors or outdoors.
- To reduce chance of child slipping out of seat, always check that both feet of child touch floor.
- Use only for children who can sit upright unassisted and weigh no more than 25 lbs.
- **NEVER** carry walker or adjust height with child in it.
- Walk behind mode is only intended for use by children 9 months - 3 years.
- Not to be used as a ride-on toy when used in the floor toy car mode.

STAIR HAZARD

AVOID SERIOUS INJURY OR DEATH BLOCK STAIRS/STEPS SECURELY BEFORE USING WALKER.

- Maximum weight inside storage bin: 3lbs.
- Tubing frame should always remain in the downward position when walker top tray is removed.
- Tubing frame should remain in locked position when in walker mode.

CARE AND MAINTENANCE

- Wash using mild soap and warm water only. Wipe plastic components dry and air dry seat cover.
- Keep friction components clean to maintain stopping performance



Please DO NOT return this product to the store.

If you experience any difficulty with assembly, missing parts or use, please DO NOT return this item to the store. Retail stores are unable to properly assist you. Contact our Customer Service Department directly for assistance (646) 435-8726.



www.DeltaChildren.com • gcs@deltachildren.com
© 2018 Delta Children's Products, Inc. New York, NY 10001



EXTENDED WARRANTY

DON'T MISS YOUR CHANCE TO BE COVERED FOR ALL OF LIFE'S MISHAPS!

With Delta's Extended Warranty, you're covered for mechanical failure from normal use or if your item stops working due to normal wear and tear, plus all those unexpected surprises.

2 YEARS OF PROTECTION

For Additional Information:

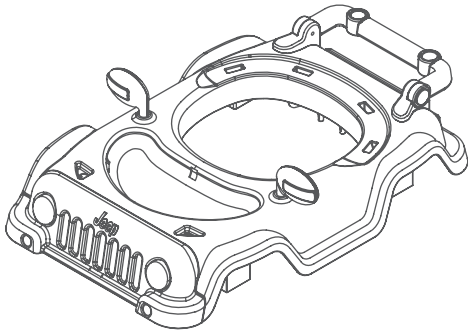
Simply visit our Website, register your product, and add the Extended Warranty

<https://www.deltachildren.com/pages/product-registration>

Extended Warranty only available in the following States: Arkansas, Colorado, Delaware, District of Columbia, Georgia, Idaho, Illinois, Indiana, Iowa, Kansas, Kentucky, Louisiana, Maryland, Michigan, Mississippi, Missouri, Nebraska, Nevada, New Hampshire, New York, North Carolina, North Dakota, Pennsylvania, Rhode Island, South Dakota, Tennessee, Utah, West Virginia

Parts

IMPORTANT! Please remove all parts from the package and identify them before assembly.

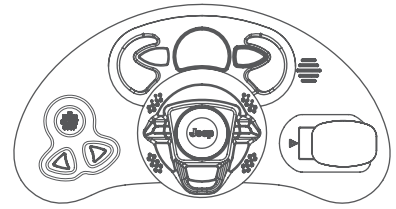


Walker Top Tray



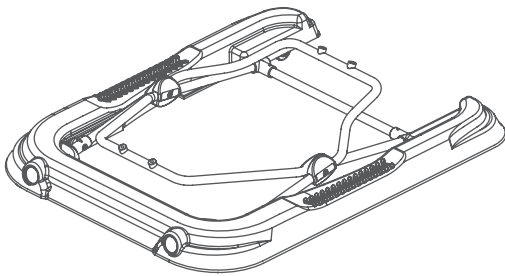
Front Bar

Part # 50337

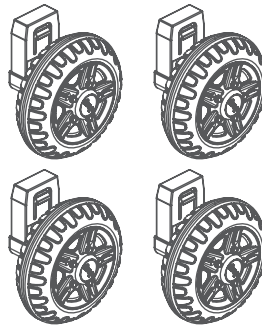


Toy Tray

Part # 50330

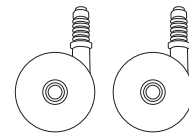


Walker Bottom Base



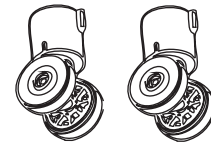
Wheels x4

Part # 50331



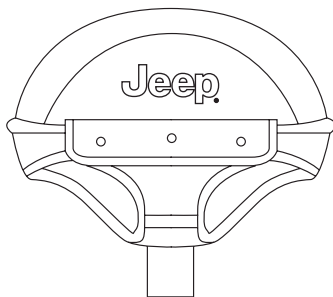
Front Wheels x2

Part # 50332



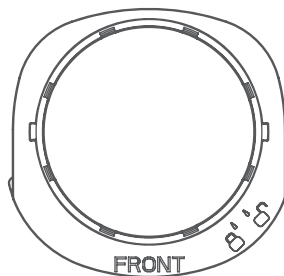
Rear Wheels x2

Part # 50333



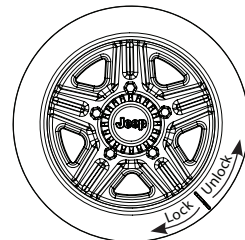
Seat Pad

Part # 50515



Storage Bin

Part # 50335



Storage Cap

Part # 50336

Battery Safety Information

BATTERY SAFETY INFORMATION

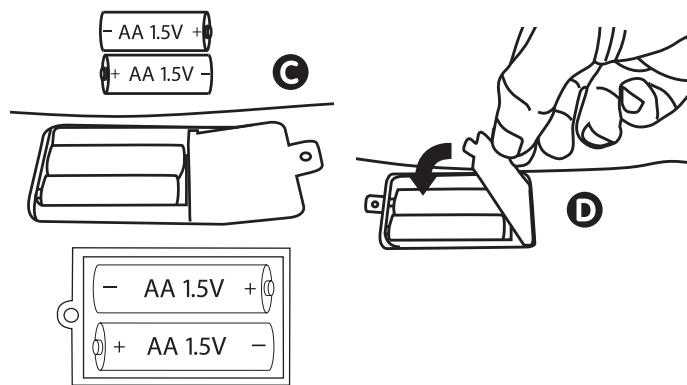
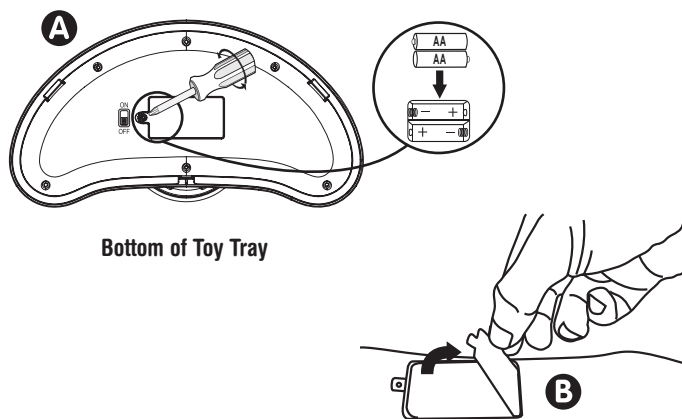
In exceptional circumstances, batteries may leak fluids that can cause a chemical burn injury or ruin your product.

To avoid battery leakage:

- Do not mix old and new batteries or batteries of different types: alkaline, standard (carbon zinc) or rechargeable (nickel-cadmium).
- Insert batteries as indicated inside battery compartment.
- Remove batteries during long periods of non-use. Always remove exhausted batteries from the product. Dispose of batteries safely. Do not dispose of product in a fire. The batteries inside may explode or leak.

- Never short-circuit the battery terminals.
- Use only batteries of the same or equivalent type as recommended.
- Do not charge non-rechargeable batteries.
- Remove rechargeable batteries from the product before charging.
- If removable, rechargeable batteries are used, they are only to be charged under adult supervision.
- When discarding batteries, be sure to dispose of them in the proper manner, according to your state and local regulations.

Inserting Batteries



1

Opening Battery Compartment

- Locate the toy tray.
- Locate toy tray lock tab on the bottom of the toy tray.
- Use a Phillips head screw driver to **A** unfasten the battery cover.
- **B** Lift cover to open battery compartment.

2

Inserting Batteries

- **C** Insert AA batteries (x2) as shown in the picture.
- **D** Close battery cover. Use a Phillips head screw driver to fasten the battery cover closed.

Walker Assembly

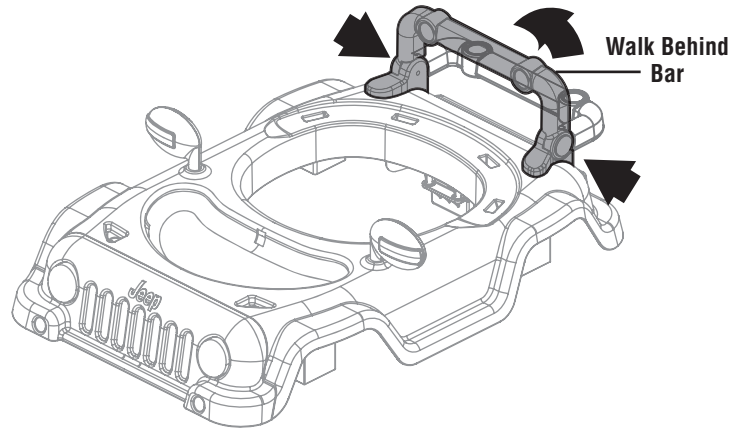
1

WARNING:

Walk Behind Mode is only intended for use by children 9 months - 3 years.

Walk Behind Bar (For Walk Behind Mode)

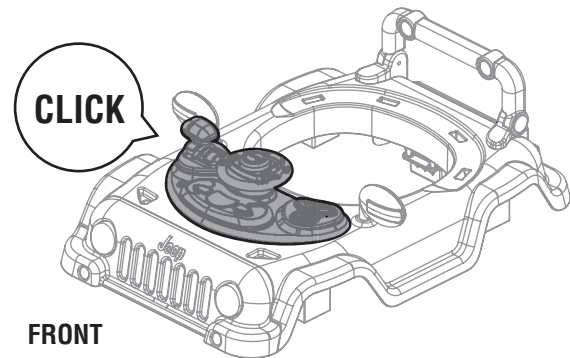
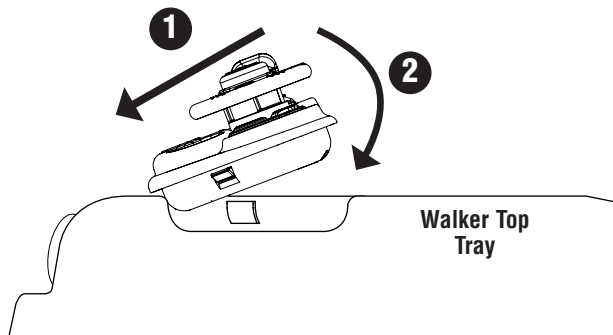
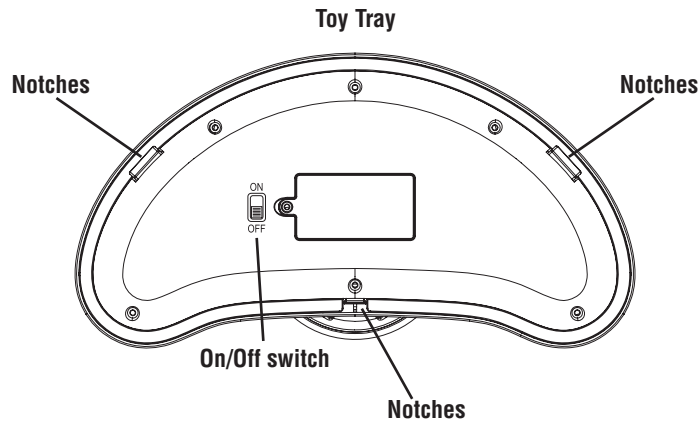
- Locate the walk behind bar.
- Press the two side buttons to adjust height up and down.
- For Walk Behind Mode, rotate handle into an upright position.



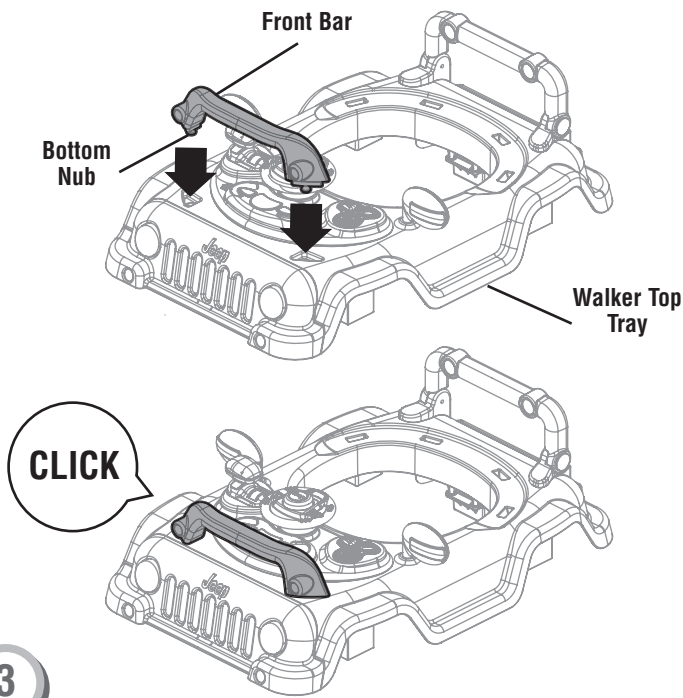
2

Attaching Toy Tray

- Place the toy tray into the recess on the top tray, front side first **1** then push the back down **2** you will hear a “click” when the notches are engaged.
 - Pull upward on the toy tray to assure it is in a fully locked position.
 - To release, press the notches in from underneath the tray.
- *NOTE: On/Off switch is located on the underside of the toy tray

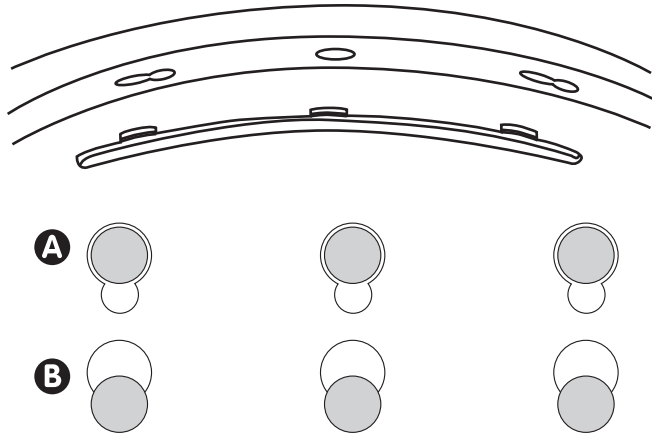


Walker Assembly



Attaching Front Bar

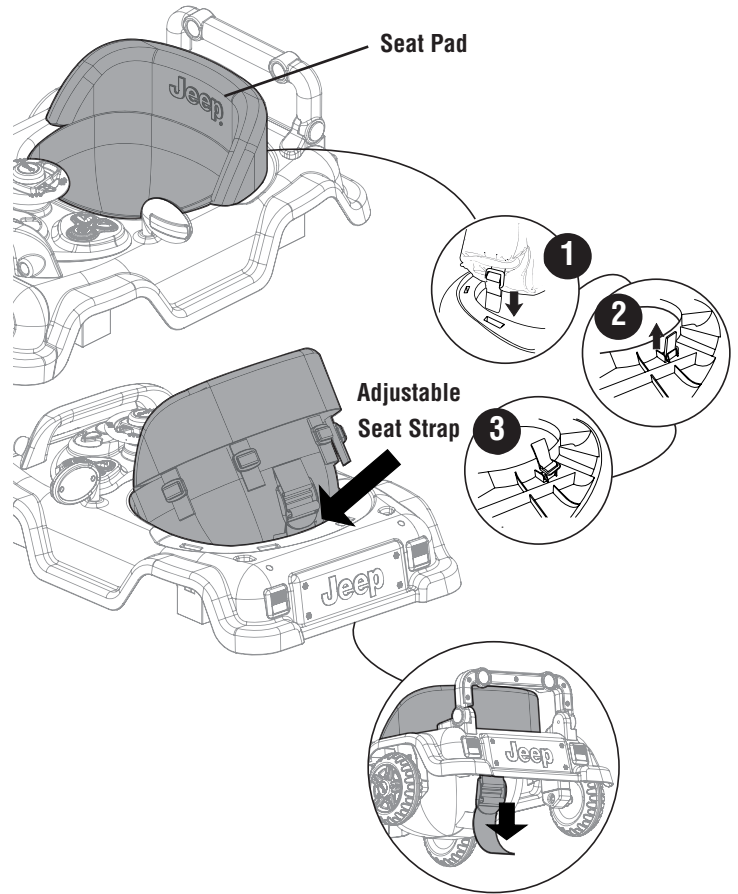
- Align the two bottom nubs of front bar to top tray recesses and press down until it clicks.
- Pull upward on front bar to assure it is in a fully locked position.



4

Attaching Seat Pad

- **A** Insert firstly three outer pins built-in at the fastening parts to the round hole at the upper tray as illustrated.
- **B** Move the plastic fastening panel downward to the lowest position of holes to complete the assembly.



5

- Insert the 4 tabs on the seat pad into the slots located around the seat ring. Slide tabs through inserts. Turn tray upside down, pull tabs and align into grooves.

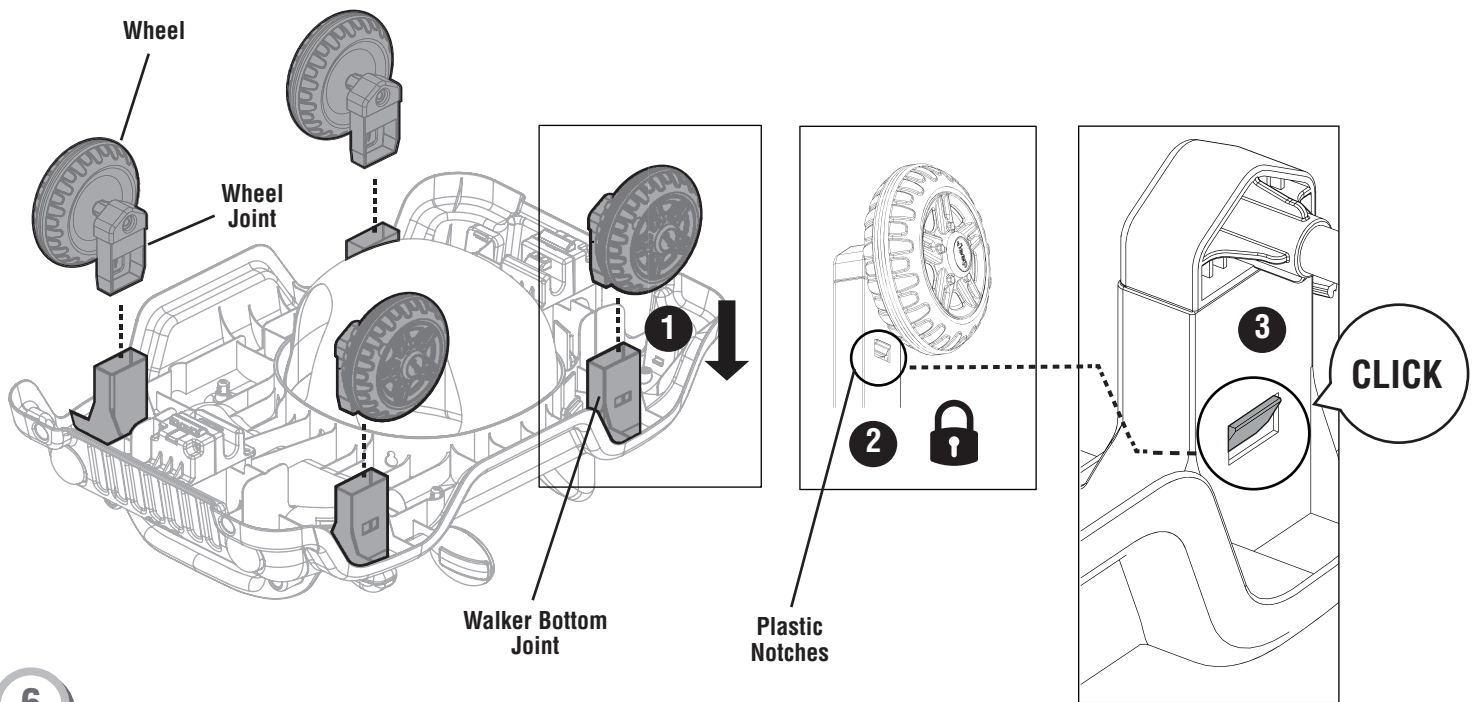
NOTE: Push tabs from top of walker to securely fasten.

NOTE: Push down on the seating area of seat pad to ensure seat is securely in place.

NOTE: Adjustable seat strap should always be tucked into the seat hole and placed underneath car.

WARNING: DO NOT use walker if all tabs are not secured properly.

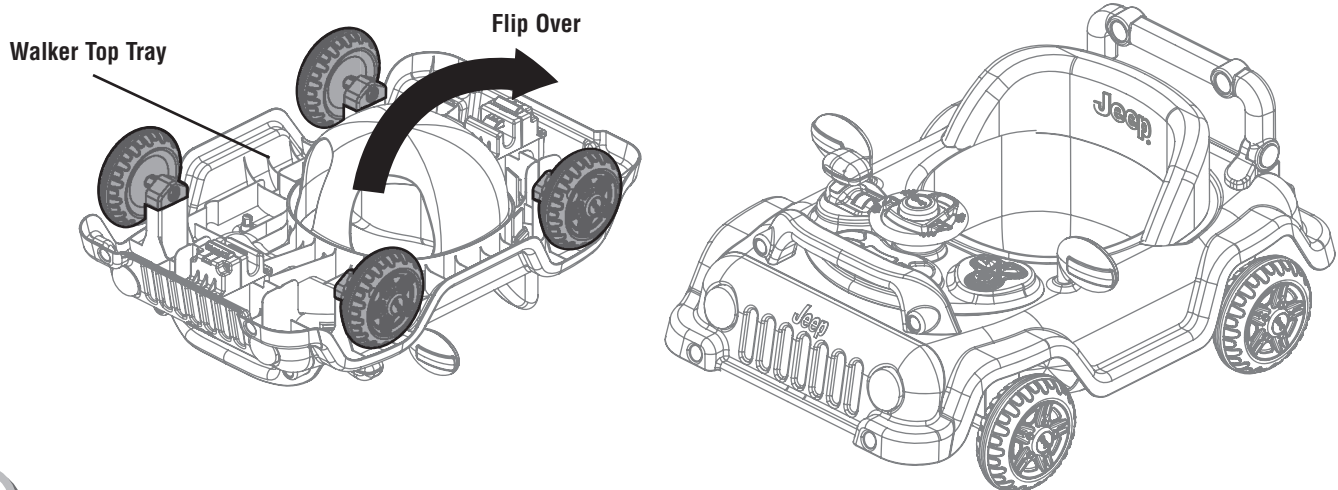
Walker Top Tray Assembly



6

Attaching Wheels to Walker Top Tray

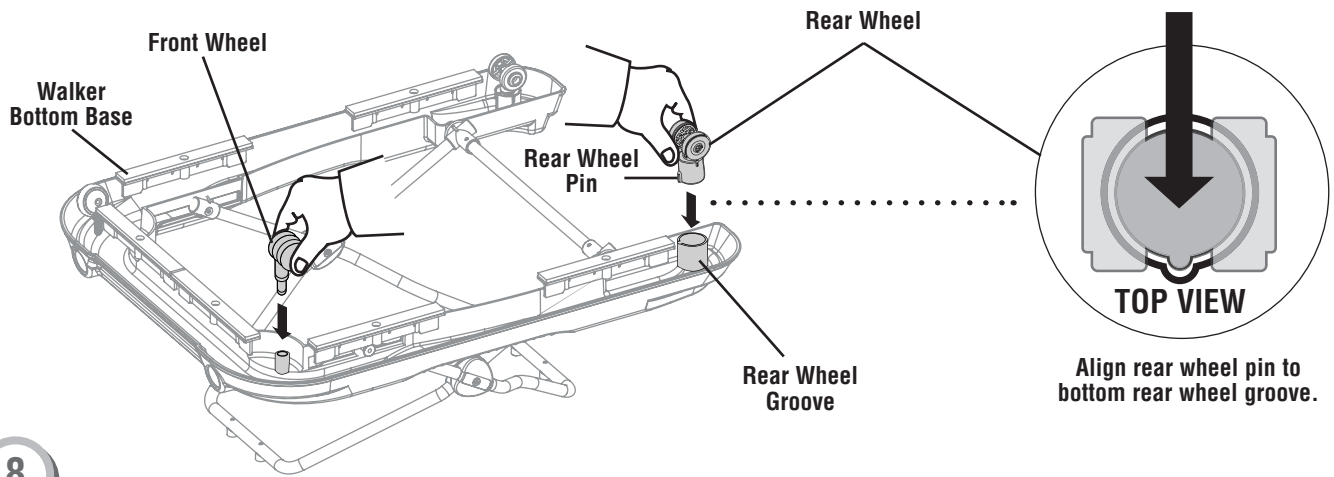
- Locate x4 wheels.
- Align wheels so plastic notches are facing outward of walker.
- Insert the wheel joint into the walker bottom housing and push down until the plastic notches engage.
- Pull upward on wheels to assure they are in a fully locked position.



7

- Completed assembly of wheels.
- Flip over entire walker top tray for next step.

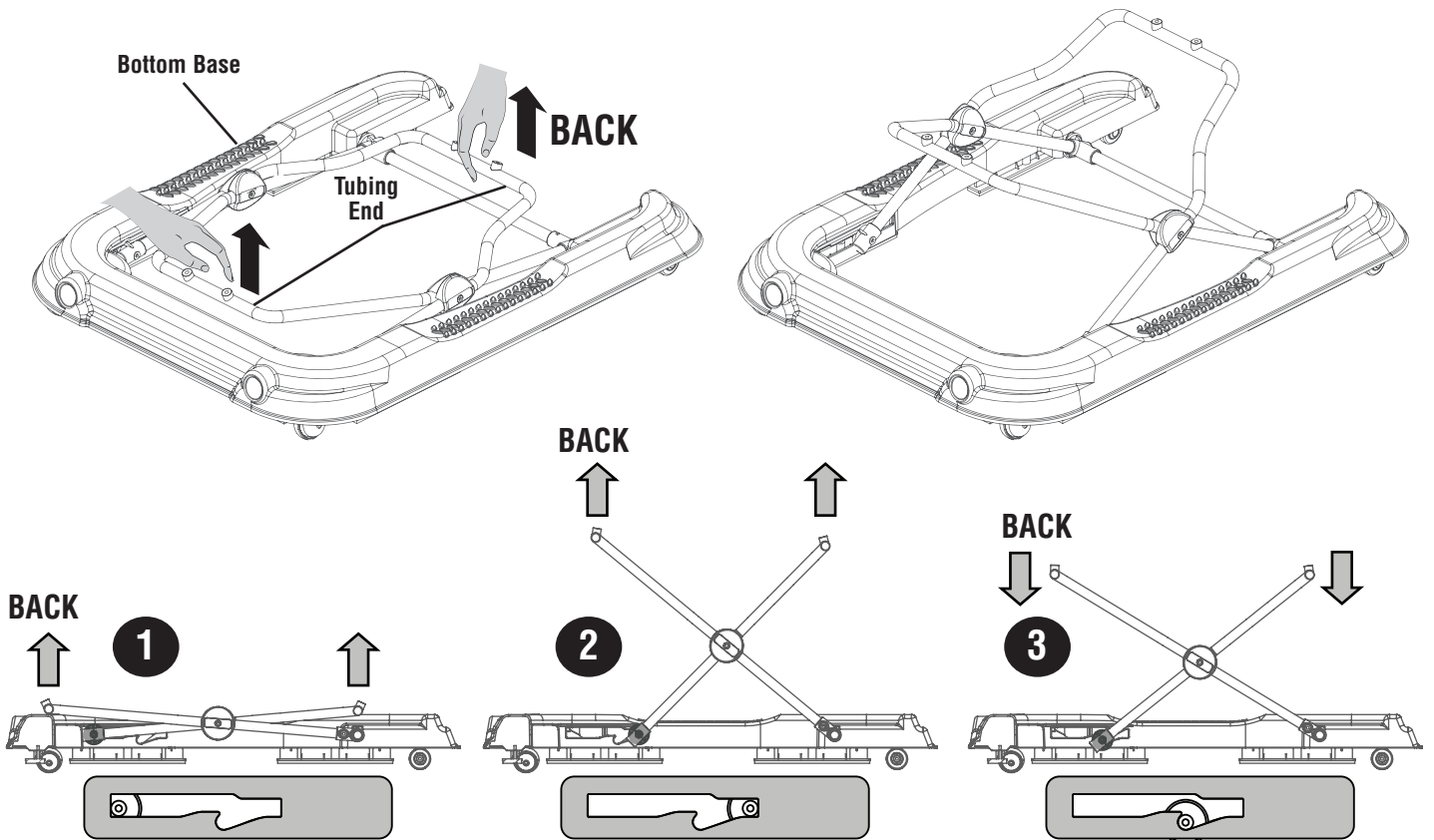
Walker Bottom Base Assembly



8

Attaching Wheels to Walker Bottom Base

- Locate front wheels and walker bottom base.
- Place the walker bottom base on a solid flat surface with the bottom facing upwards.
- Insert the pins of the front wheels into their housings until they click into position.
- Pull upward on wheels to assure they are properly inserted, and in a fully locked position.
- Locate rear wheels and walker bottom base.
- Align rear wheel pin to bottom rear wheel groove and insert.
- Pull upward on wheels to assure they are properly inserted, and in a fully locked position.



9

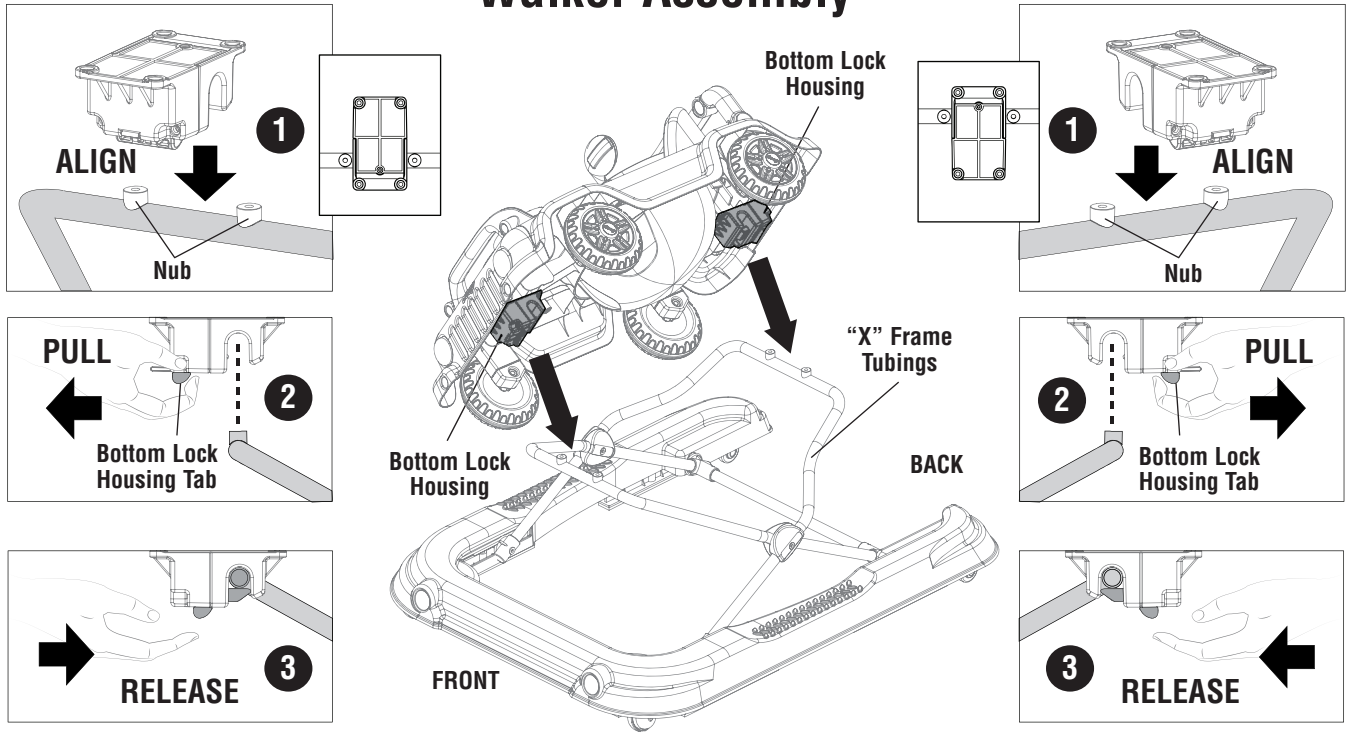
1 Hold both ends of tubing and pull upward.

2 When pulling tubing, bottom slot joint should fully extend to the back.

3 Release both ends of tubing to allow slot joint to lock in place on hook. Push downward to make sure it is in a fully locked position.

- Locate both ends the tubing frame on the bottom base and pull upward into a fully assembled position. Follow 1, 2 and 3 steps.

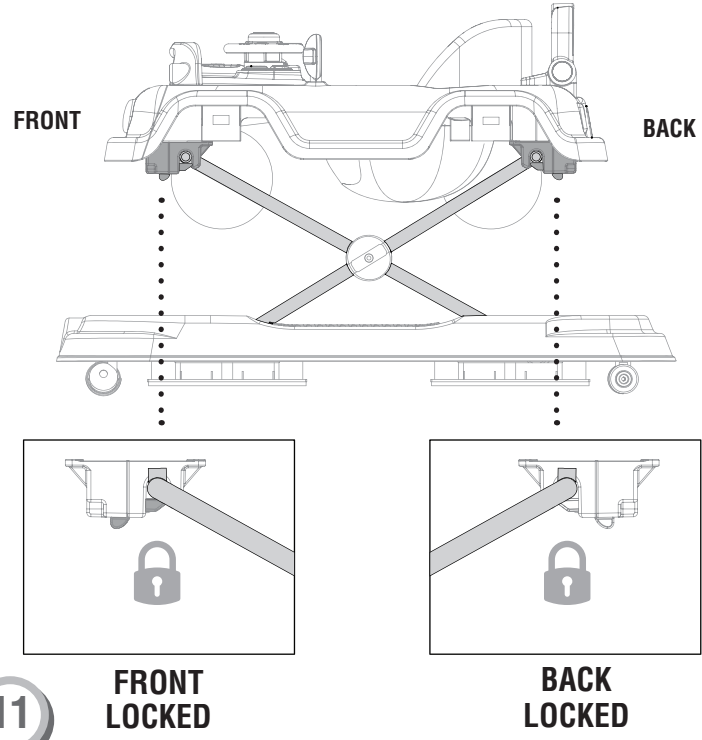
Walker Assembly



10

Attaching Walker Top Tray

- 1 Align bottom lock housings in between the 2 nubs of "X" Frame Tubing. Make sure walker top tray is facing FRONT position, by aligning the front sticker located on the x frame tubings and the walker top tray.
- 2 Pull both bottom lock housing tabs and clip lock housings on top of tubing.
- 3 Once both lock housings are clipped on "X" frame tubing, release the lock housing tabs.



11

Locking Walker Top Tray

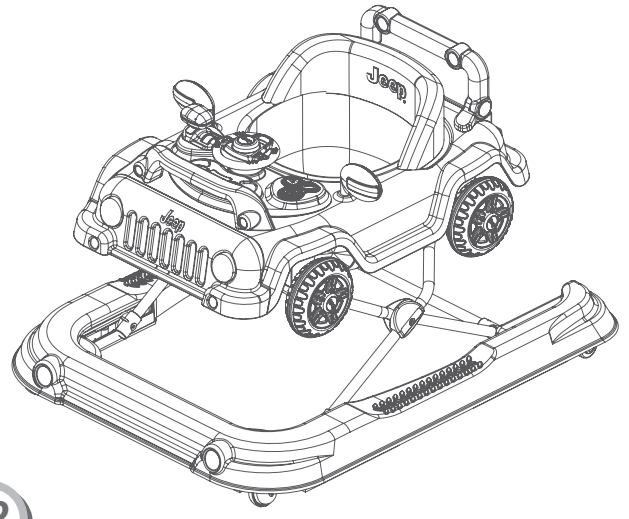
- To make sure top tray is locked, lock tab should be fully extended trapping the tubing frame.

NOTE: Pull up top tray to ensure it is securely locked.
 WARNING: DO NOT use walker if walker top tray is not fully locked.

WARNING:
 Walker Mode is only intended for use by children 6 months - 12 months.

12

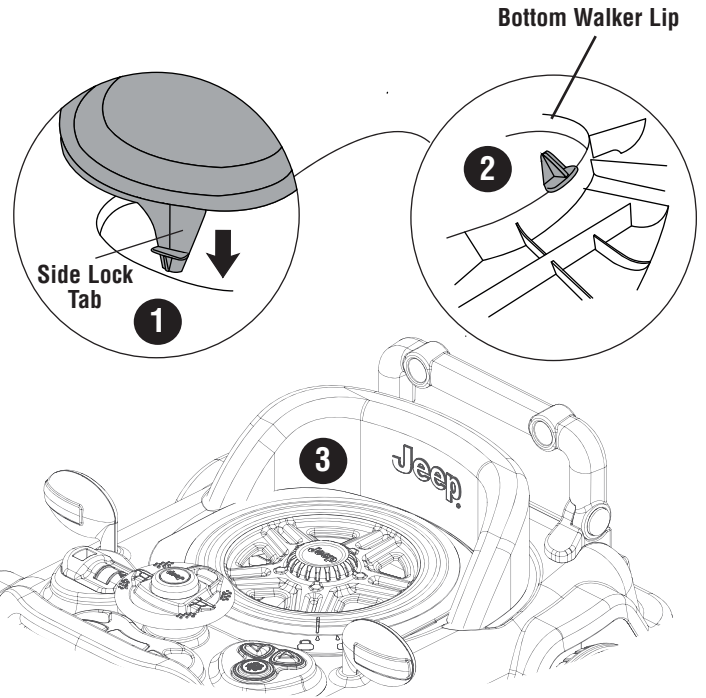
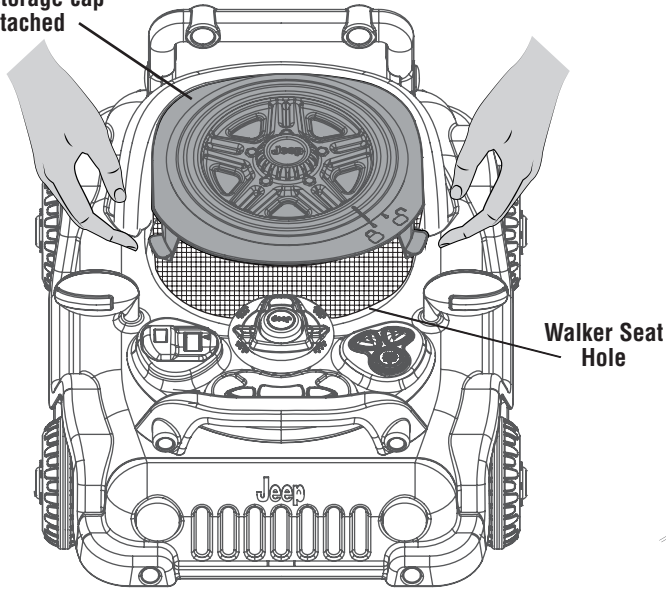
- Completed Walker Assembly.



Storage Bin Assembly

! WARNING:
Floor Toy Car Mode is not to be used as a ride-on toy.

Storage Bin
with storage cap
attached



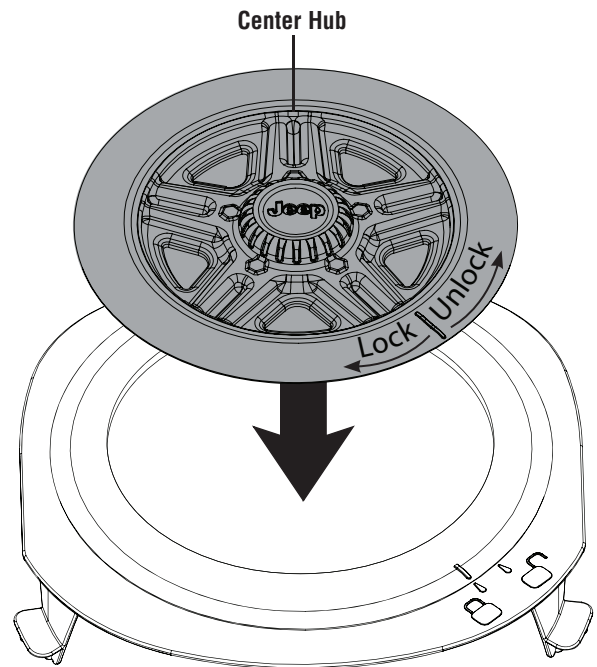
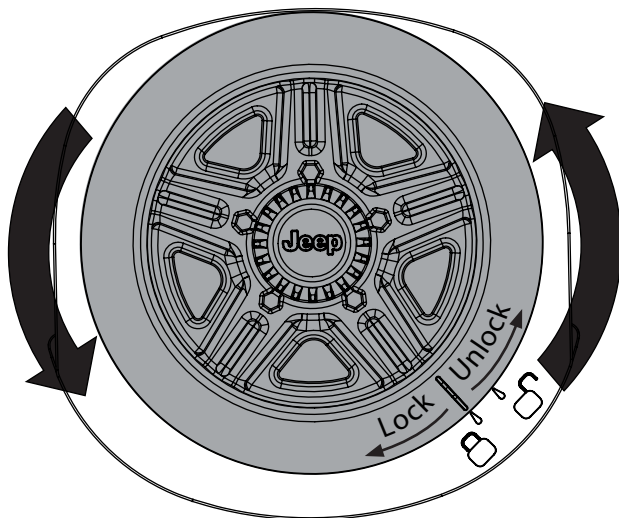
1

Attaching Storage Bin

- Locate Storage Bin and Storage Cap.
- Press side lock tabs inward and press down into walker seat hole until bottom side locks should catch on to bottom walker lip.

NOTE: To remove storage cap, locate side lock tabs and push inward to release.

NOTE: To remove mesh from storage bin, pull upwards until fully released.

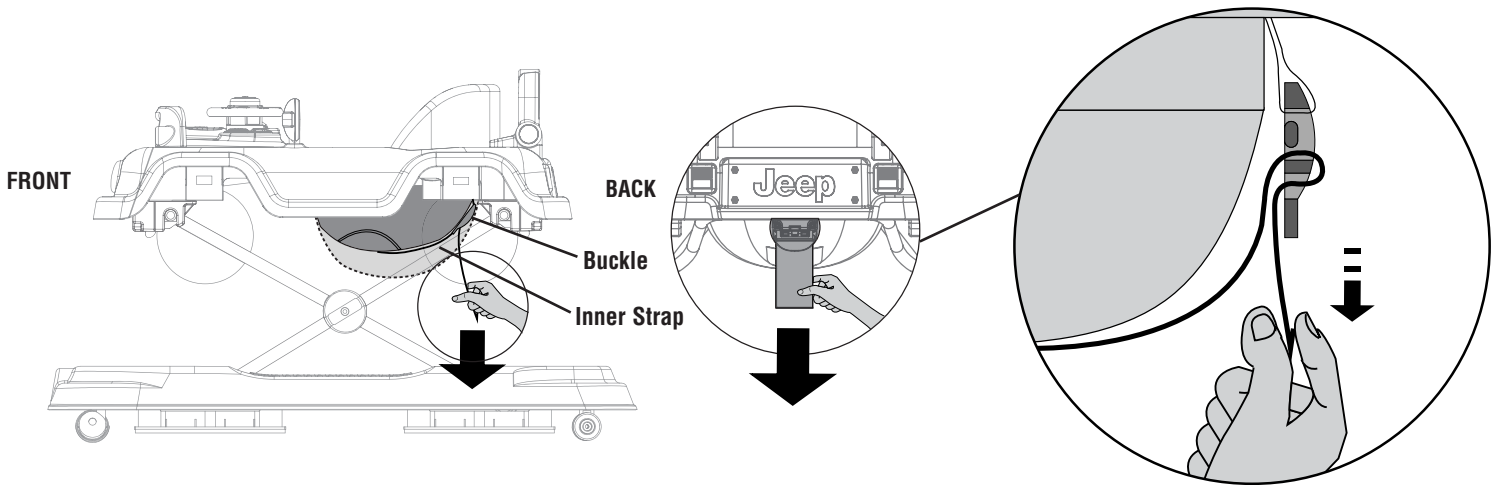


2

Locking / Unlocking Storage Cap

- To unlock storage cap, twist center hub counter clockwise until center hub dash lines up with the unlock symbol.
 - To lock storage cap, twist center hub clockwise until center hub dash lines up with the lock symbol.
- center hub dash lines up to unlock symbol.

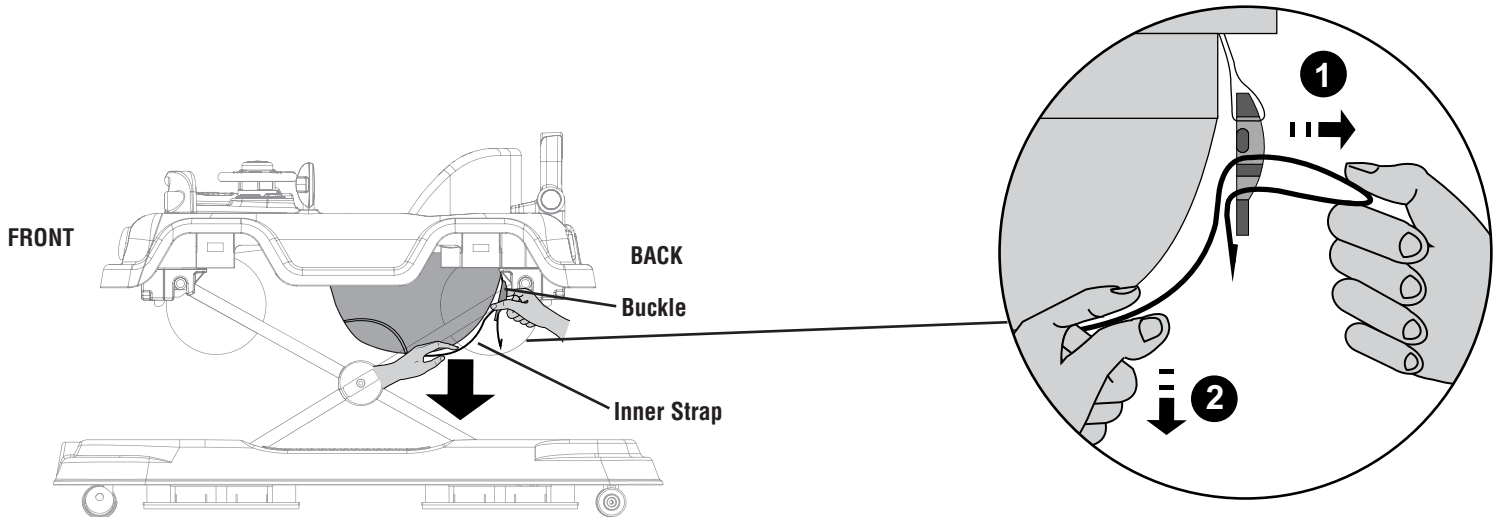
Seat Height Adjustability



A

To Increase Seat Height

To increase the height of the seating position, Pull Strap Downwards.



B

To Lower Seat Height

To lower the height of the seating position, hold buckle with one hand and pull inner strap downward.



Delta Childrens Products Corp.

114 West 26th Street
New York, NY 10001
(646) 435-8726
www.deltachildren.com

