

LIL' PLAY STATION III 4-IN-1 ACTIVITY CENTER WALKER

WALKER / ROCKER / STATIONARY / BOUNCER



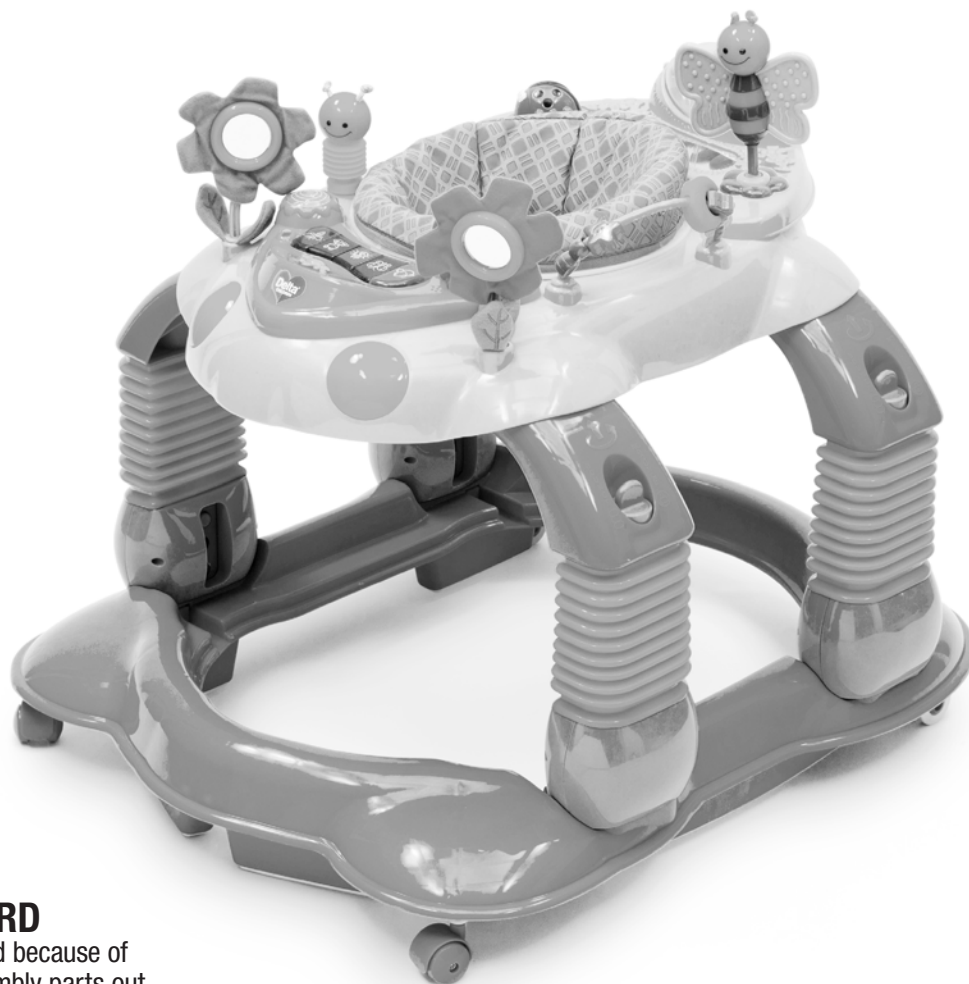
INSTRUCTION MANUAL

ADULT ASSEMBLY REQUIRED

22474

STYLES AND COLORS MAY VARY

REQUIRED: 2 x AA Batteries
(not included)
Screwdriver
(not included)



▲ WARNING: CHOKING HAZARD

Adult assembly required because of small parts. Keep assembly parts out of reach of children under 3 years.

Read all instructions BEFORE assembly and USE of product
KEEP INSTRUCTIONS FOR FUTURE USE.

Customer Experience Center
phone: (646) 435-8726
email: gcs@DeltaChildren.com



www.DeltaChildren.com

DCP-IM-05222019-F4

Consumer Information



WARNING

WARNING: Read all instructions before assembly and use of the walker/stationary activity center (keep the instructions for future reference), incorrect assembly may make the walker/stationary activity center unsafe. Failure to follow these warnings and the instructions could result in serious injury or death.

! WARNING !

FALL HAZARD:

- **NEVER** leave child unattended.
- **ALWAYS** keep child in view while in product.
- **NEVER** use near stairs or thresholds.

STRANGULATION HAZARD:

- Strings can cause strangulation! **DO NOT** place items with a string around child's neck, such as hood strings or pacifier cords. **DO NOT** suspend strings over product or attach string to toys.
- To avoid burn injuries, always keep child away from ranges, radiators, hot liquids, space heaters, fireplaces, etc.

DCP07122018-W1-F2

- To avoid drowning, never use near pools, bathtubs, etc.
- **ALWAYS** check that surfaces are flat and free of objects that may cause tipping over either indoors or outdoors.
- To reduce chance of child slipping out of seat, always check that both feet of child touch floor.
- Use **ONLY** for children who can sit upright unassisted and weigh no more than 25 lbs.
- **NEVER** spin baby in seat, only permit baby to rotate seat
- **AVOID SERIOUS INJURY: NEVER** carry product or adjust height with child in it.



! WARNING !

- **NEVER** leave child unattended.
- Always keep child in view while in walker.

DCP007112018-W2-F2

Consumer Information



WARNING

WARNING: Read all instructions before assembly and use of the walker/stationary activity center (keep the instructions for future reference), incorrect assembly may make the walker/stationary activity center unsafe. Failure to follow these warnings and the instructions could result in serious injury or death.

WARNING

- Adult Assembly is required.
- DO NOT use walker/stationary activity center if it is damaged or broken.
- DO NOT use walker/stationary activity center until baby can sit up by itself.
- Before each use clean friction components to maintain stopping performance.
- Use only on flat surfaces free of objects that could cause the walker/stationary activity center to tip over.
- This walker/stationary activity center is intended for use by children who can sit up unassisted and are learning to walk.
- This walker/stationary activity center is intended for children weighing up to 25 lbs (11.8 kg) and those that are not over 30 inches in height.
- Discontinue using this walker/stationary activity center when your child can stand unaided or walk unassisted.
- Prevent collisions with glass in rooms, windows and furniture.
- Always lock the seat in walker/stationary activity center function.
- To avoid serious injury never carry walker/stationary activity center with child in seat.
- Make sure all locking devices are fully engaged before each use.
- Never allow older child to play with walker/ stationary activity center or push walker at any time when another child is in the walker/stationary activity center seat.
- DO NOT add any additional toys to the walker/stationary activity center activity tray, use only toys intended to be used with walker/stationary activity center.
- DO NOT alter the walker/stationary activity center by cutting toys away.
- DO NOT add strings or other objects to walker/stationary activity center as the child may become entangled in them.

NOTE – Individual toys are not replaceable.

USE CARE AND MAINTENANCE

Wash using mild soap and warm water only. Wipe plastic components dry and air dry seat cover.



Please DO NOT return this product to the store.

If you experience any difficulty with assembly, missing parts or use, please DO NOT return this item to the store. Retail stores are unable to properly assist you. Contact our Customer Service Department directly for assistance

(646) 435-8726

www.DeltaChildren.com • gcs@simmonkids.com
©2019 Delta Children's Products, Inc. New York, NY 10001





LIMITED MANUFACTURER WARRANTY

This Delta product is warranted to be free from defects for a period of 90 days from the date of purchase under normal use. This warranty extends only to the original retail purchaser and is valid only when supplied with proof of purchase, or if received as a gift, when the registration is on file with Delta. This limited manufacturer warranty does not cover the following:

- Products purchased as floor models or samples.
- Items purchased on an “as-is” basis, as a second hand product, or as a resale product.
- Items purchased at a Final sale, a “Going out of Business” sale, or a Liquidation sale.

TO REGISTER YOUR PRODUCT for important safety alerts and updates to your product please visit www.deltachildren.com

TO REPORT A PROBLEM, please log on to www.deltachildren.com and click the Consumer Care Tab, or contact us by phone at 646-435-8726

Date of Purchase: _____ (you should also keep your receipt)

EXTENDED WARRANTY

DON'T MISS YOUR CHANCE TO BE COVERED FOR ALL OF LIFES MISHAPS!

With Delta's Extended Warranty, you're covered for mechanical failure from normal use or if your item stops working due to normal wear and tear, plus all those unexpected surprises.

2 YEARS OF PROTECTION

For Additional Information:

Simply visit our Website, register your product, and add the Extended Warranty

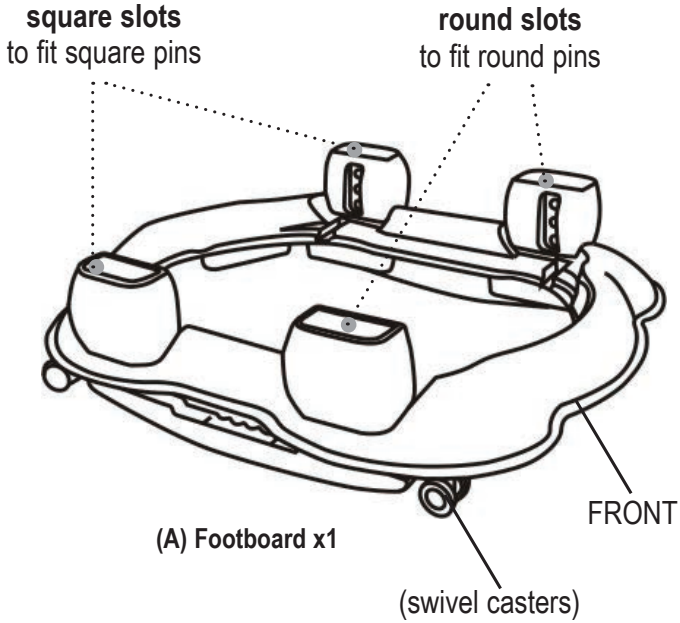
<https://www.deltachildren.com/pages/product-registration>

Extended Warranty only available in the following States:

Arkansas, Colorado, Delaware, District of Columbia, Georgia, Idaho, Illinois, Indiana, Iowa, Kansas, Kentucky, Louisiana, Maryland, Michigan, Mississippi, Missouri, Nebraska, Nevada, New Hampshire, New York, North Carolina, North Dakota, Pennsylvania, Rhode Island, South Dakota, Tennessee, Utah, West Virginia

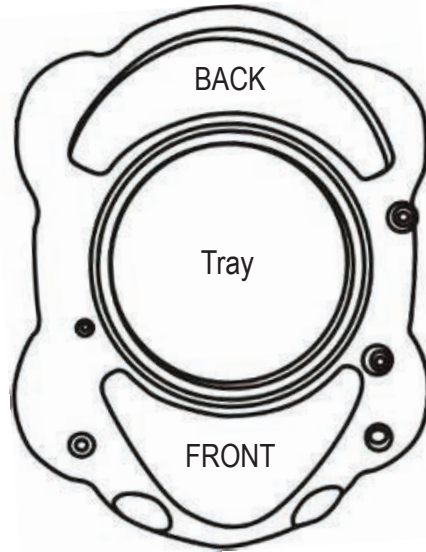
Parts

IMPORTANT! Please remove all parts from the package and identify them before assembly.



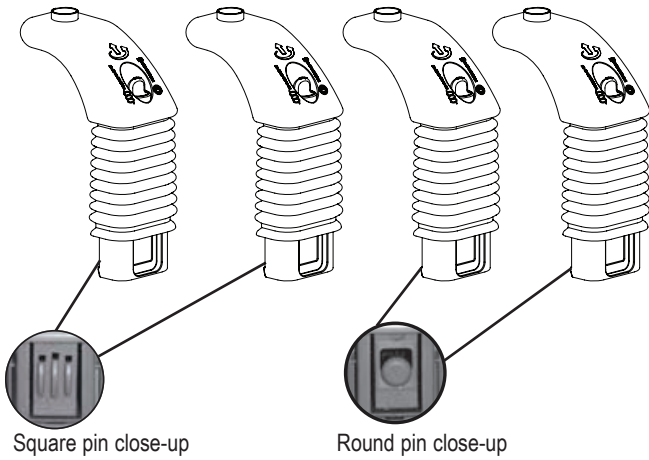
A

Footboard (x1)
Part # 50008



E

Walker Top Base (x1)
Part # 50007

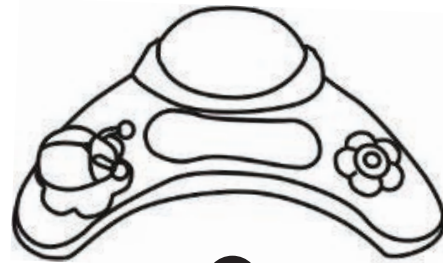


B

Back (x2)
Part # 50481

C

Front (x2)
Part # 50480



F

Back Tray (x1)
Part # 17110



D

Large Nuts (x4)
Part # 17116

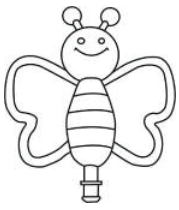


G

Front Tray (x1)
Part # 17109

Parts

IMPORTANT! Please remove all parts from the package and identify them before assembly.



H

Toy (x1)

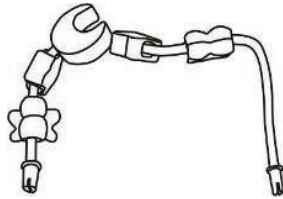
Part # 50482



I

Toy (x1)

Part # 50483

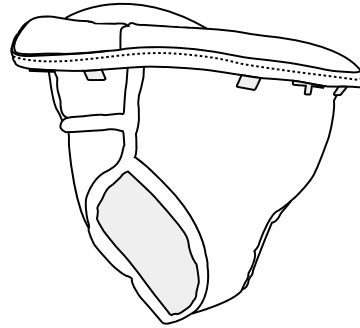


J

Toy (x1)

Part # 50484

elevated part of seat pad needs to be aligned with most elevated area of the seat ring when assembled



M

Seat Pad (x1)

Part # 17114



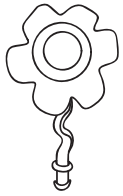
'C' shaped plastic part goes underneath the tray to hold the caterpillar toy

K

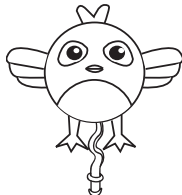
Toy (x1)

Part # 50485

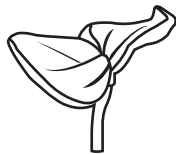
On Some Models



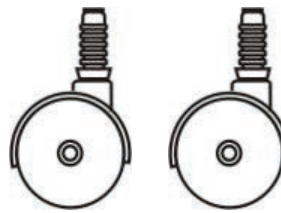
For styles
22471-651
and 22471-365
Toy (x1)
Part # 50486



For styles
22471-456
Toy (x1)
Part # 50487



For styles
22471-365
Toy (x1)
Part # 50488

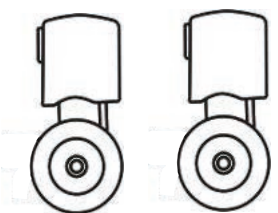


N

Front

Swivel Casters (x2)

Part # 50420



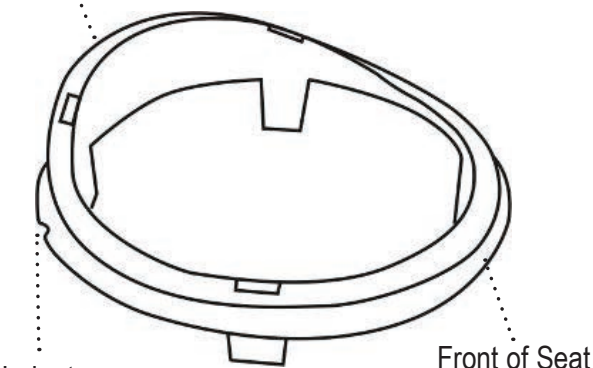
O

Rear

Non Swivel Casters (x2)

Part # 17113

Back of Seat

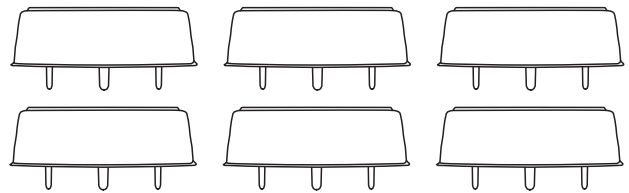


Indent

L

Seat Ring (x1)

Part # 17115



P

Stairs Stoppers (x6)

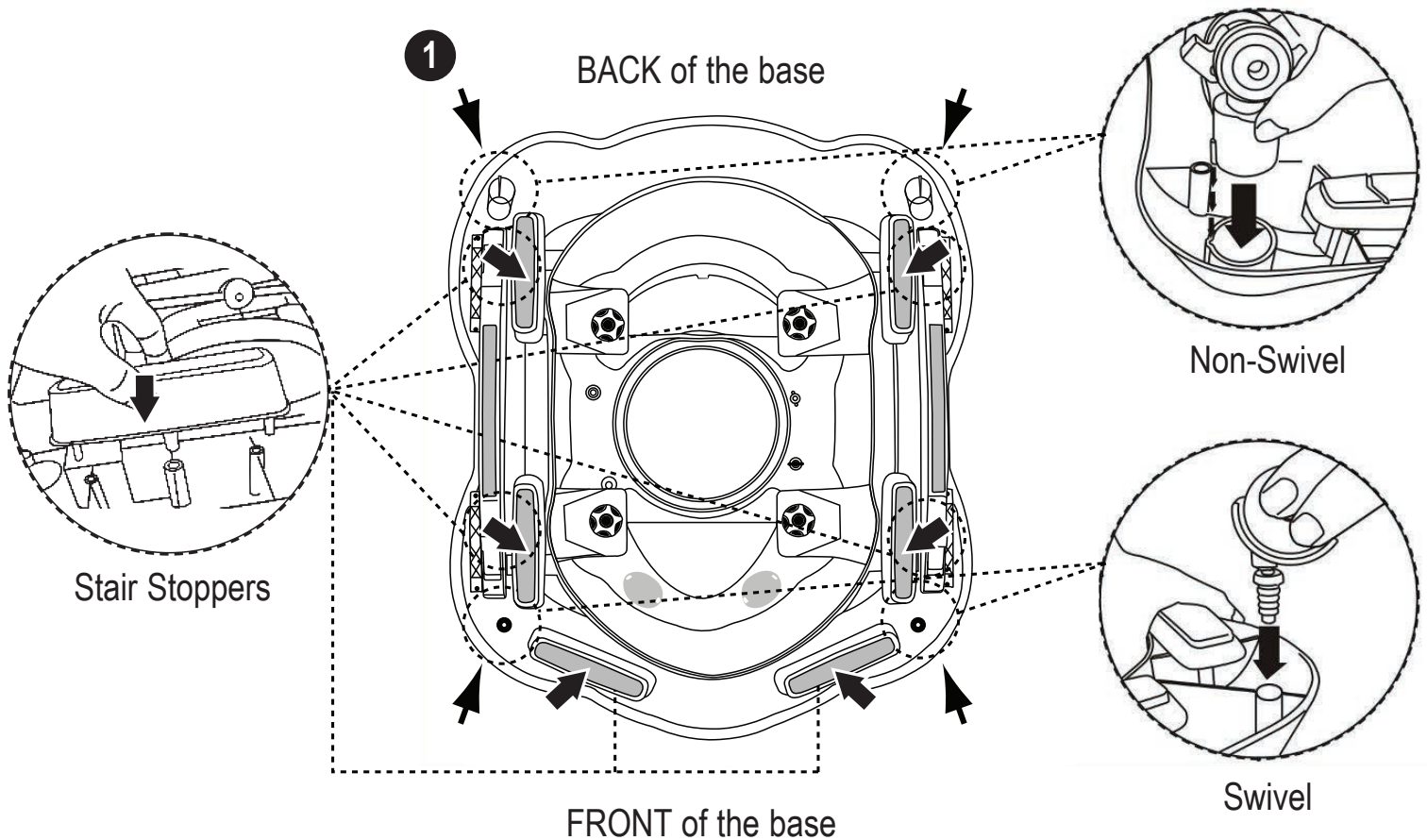
Part # 17290

Assembly Wheels

1

- Assemble the front and rear wheels as illustrated in (Fig. 1).
- Push down on wheels until they are in a fully seated position. Non-Swivel wheels should be inserted on the back of the base and Swivel wheels on the front of the base.
- Insert the stair stopper into the receiving hole as illustrated in (Fig. 1a). Repeat with five other stoppers and make sure they are properly inserted.

NOTE: Please locate the front sticker indicating the front base.



Assembly Legs

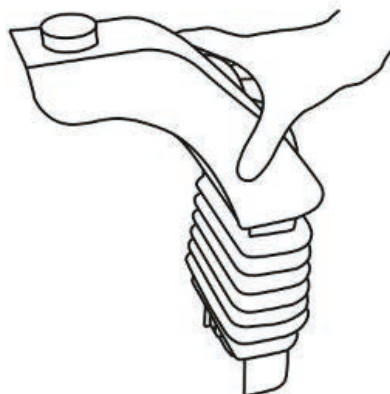
2

- Assemble the legs to the base: Press the leg button and insert it into the mounting hole at the base as illustrated (Fig. 2, 3 and 4).

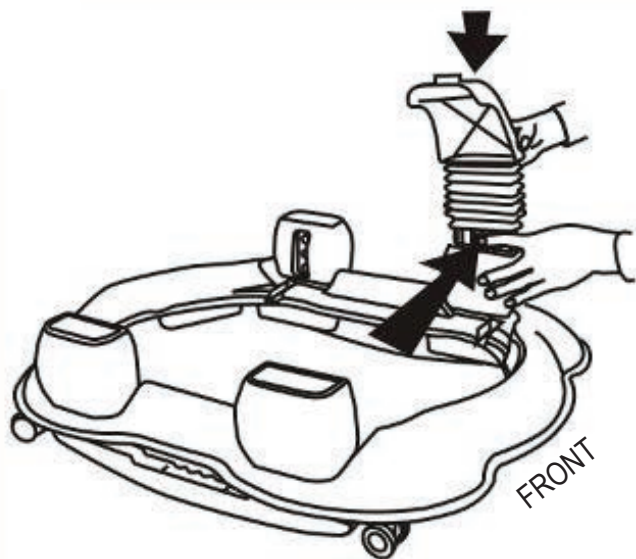
NOTE: Legs with square shaped pins enter the square holes at the base. Legs with round shape pins enter the round holes at the base.

- Once completed, make sure all legs are adjusted to the same height level. **NOTE:** Rear legs are keyed to rear tray mounts.

2

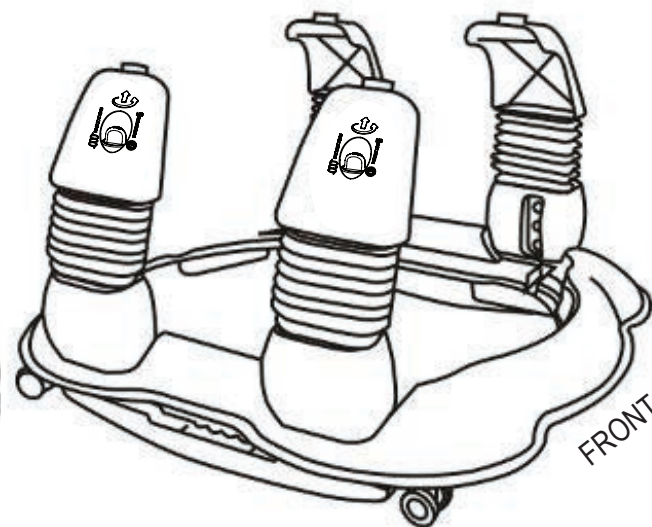


3



Front leg round pin fits into round lock on base.

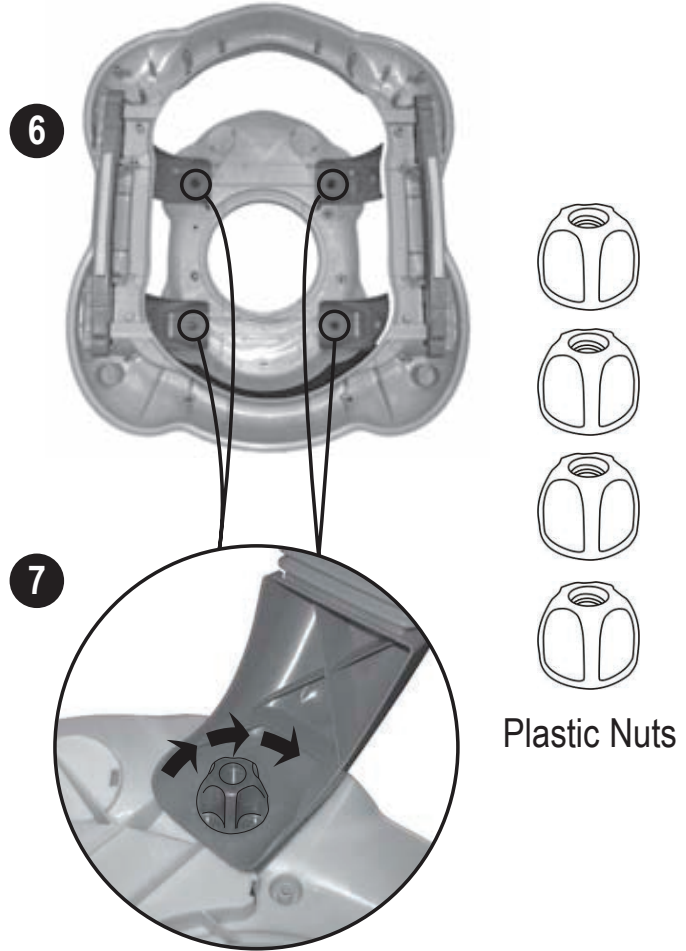
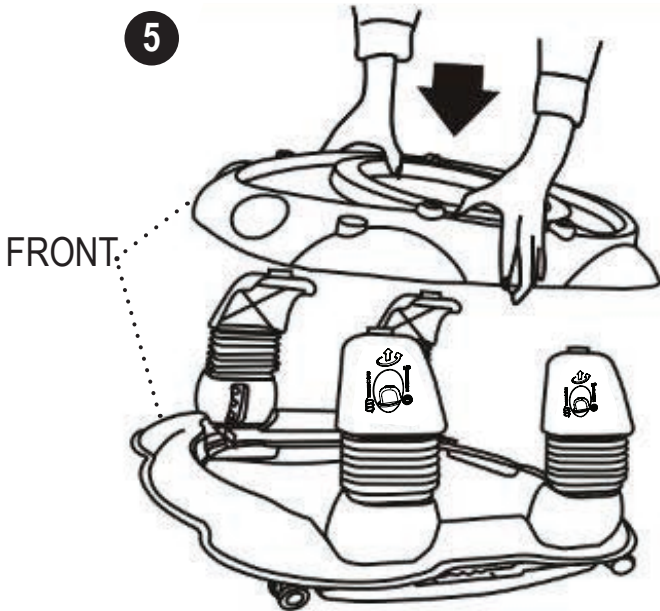
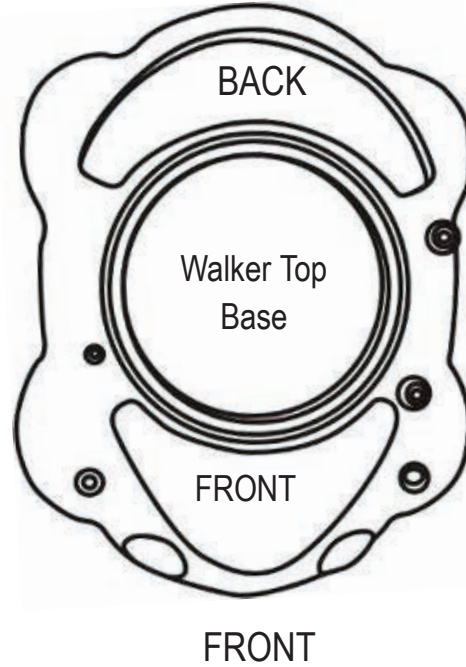
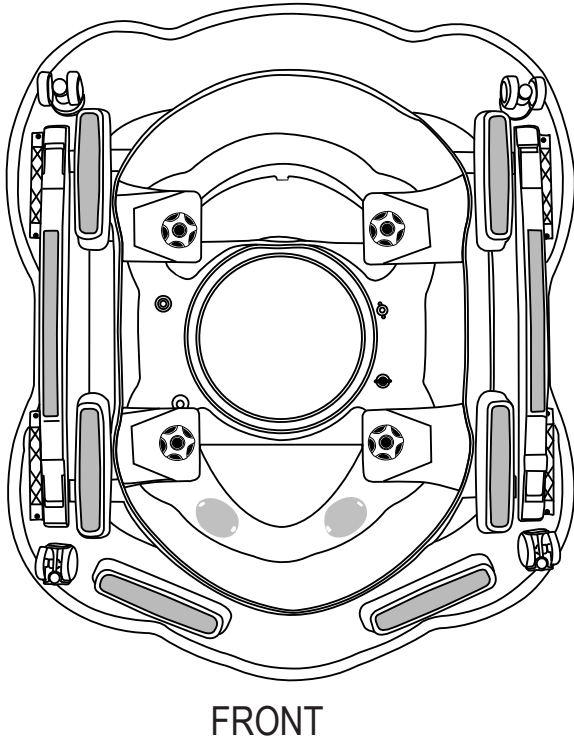
4



Back leg square pin fits into square lock on base.

Assembly Walker Tray to Base

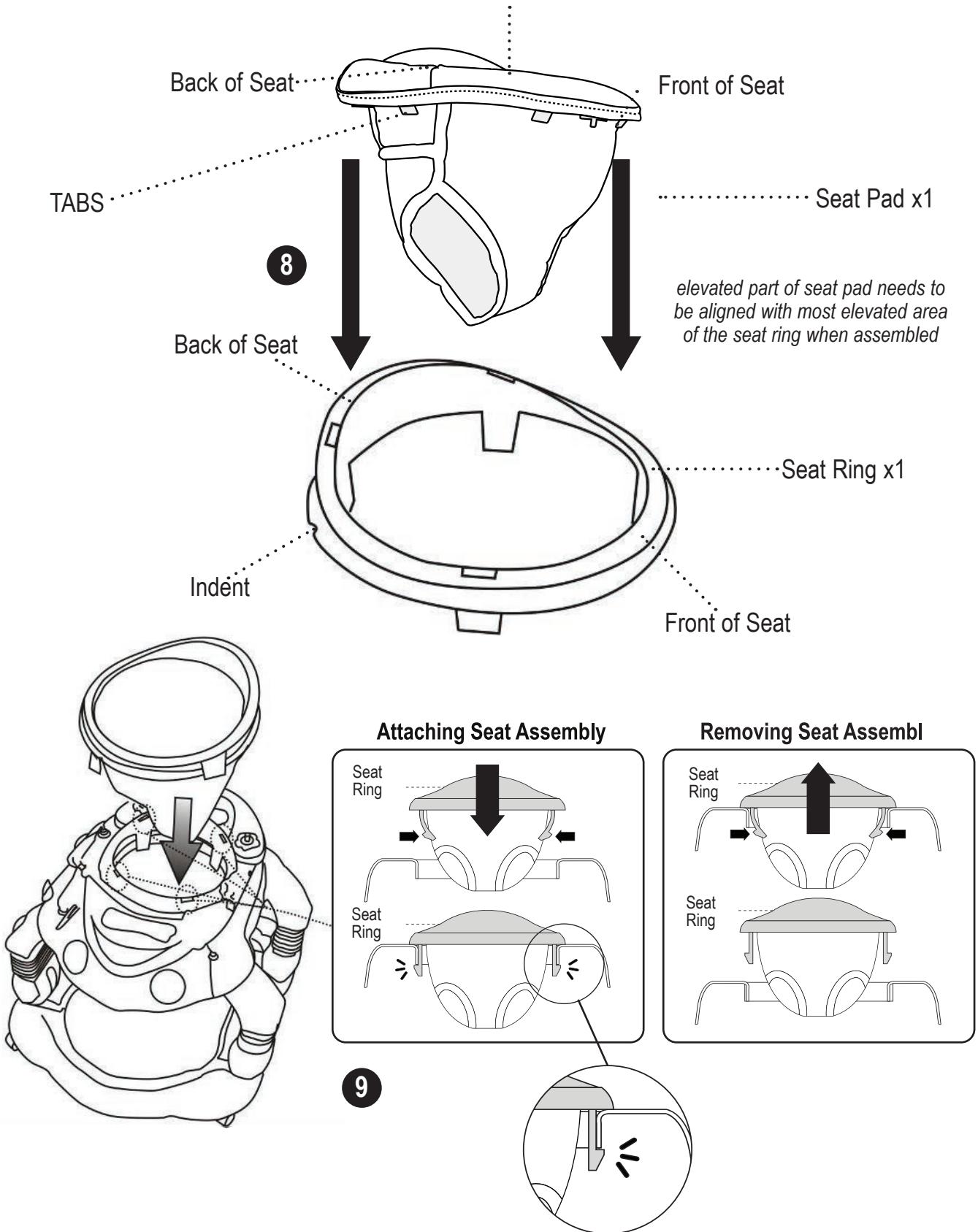
- Connect the legs with the walker tray as shown in (Fig. 5). Then secure the large plastic nuts (x4) onto bolt clockwise as illustrated in (Fig. 6 & 7). Make sure all plastic nuts are fully hand tightened down.



Assembly Seat to Walker Tray

- Assemble the seat pad to the plastic ring by inserting the (8x) tabs on the seat pad into slots located around the seat ring as shown in (Fig. 8).
- Take completed seat assembly and attach the seat to the walker tray as illustrated in (Fig. 9).

NOTE: Pull upward on assembled seat to ensure that it is securely locked to the walker tray.



Battery Safety Information

BATTERY SAFETY INFORMATION

In exceptional circumstances, batteries may leak fluids that can cause a chemical burn injury or ruin your product.

To avoid battery leakage:

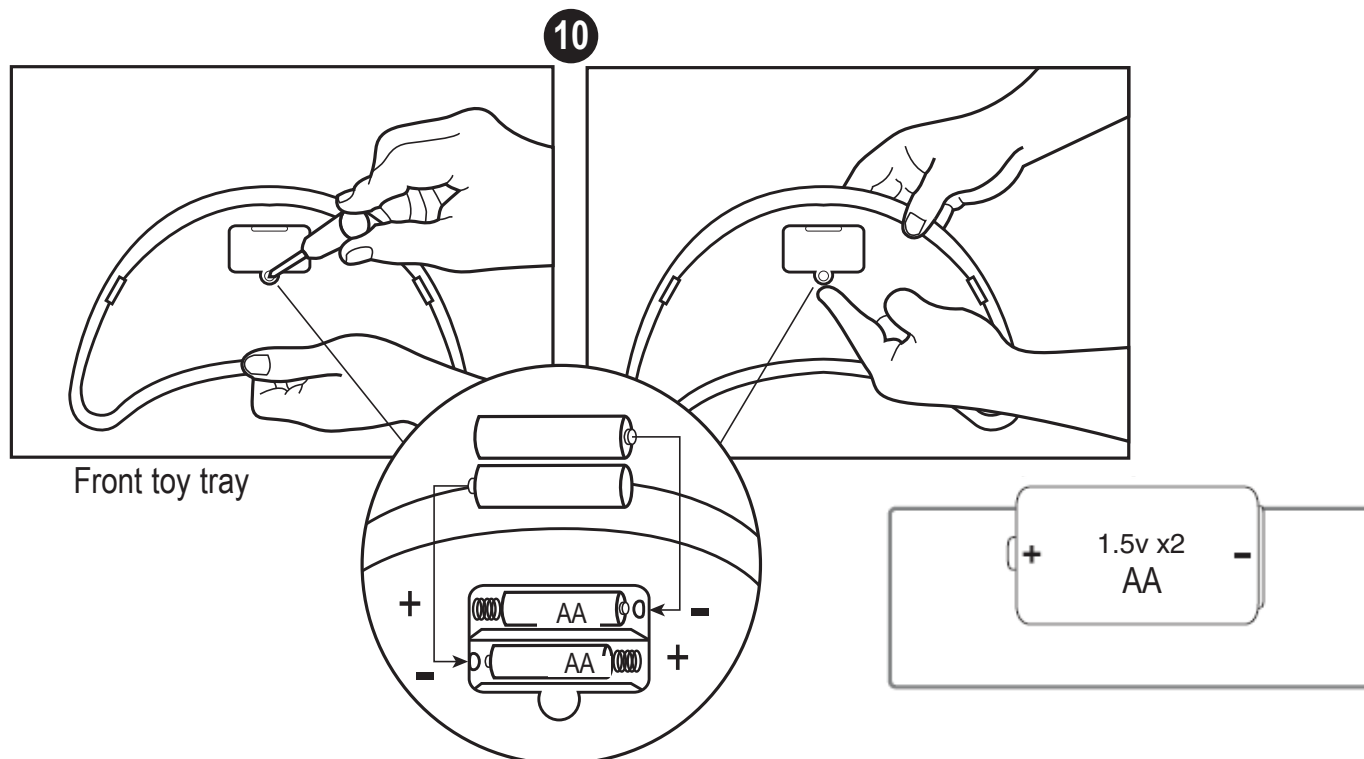
- Do not mix old and new batteries or batteries of different types: alkaline, standard (carbon zinc) or rechargeable (nickel-cadmium).
- Insert batteries as indicated inside battery compartment.
- Remove batteries during long periods of non-use. Always remove exhausted batteries from the product. Dispose of batteries safely. Do not dispose of product in a fire. The batteries inside may explode or leak.

- Never short-circuit the battery terminals.
- Use only batteries of the same or equivalent type as recommended.
- Do not charge non-rechargeable batteries.
- Remove rechargeable batteries from the product before charging.
- If removable, rechargeable batteries are used, they are only to be charged under adult supervision.
- When discarding batteries, be sure to dispose of them in the proper manner, according to your state and local regulations.

Assembly of Toy Trays and Toys into Walker Tray

5

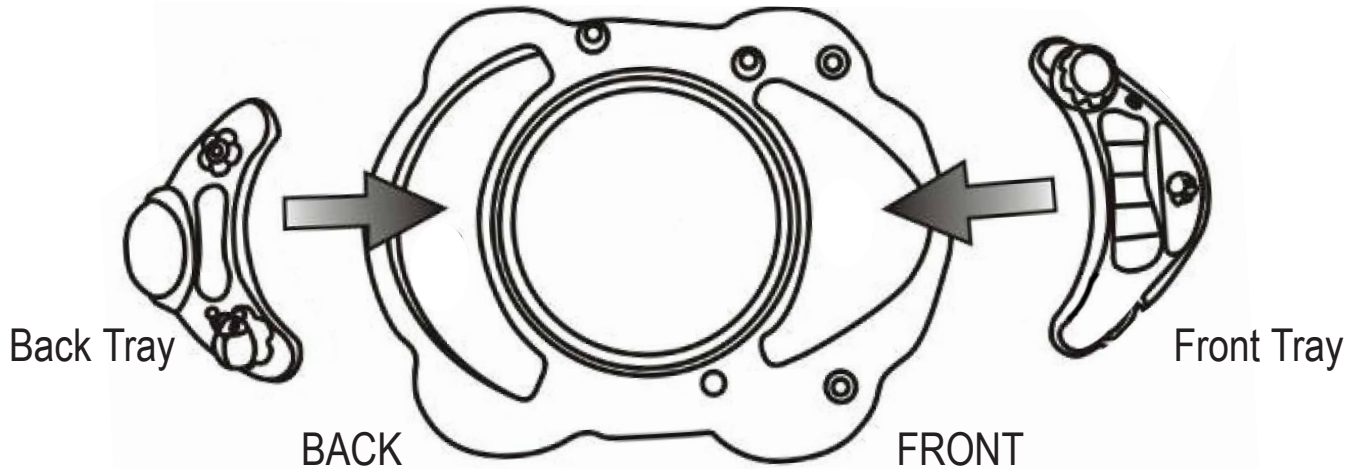
- Attaching the Toys – front toy tray requires two (2) “AA” batteries (not included).
- Use Philips head screwdriver to unfasten battery cover, insert batteries and replace cover as illustrated in (Fig. 10).



Attaching Trays and Toys to Base

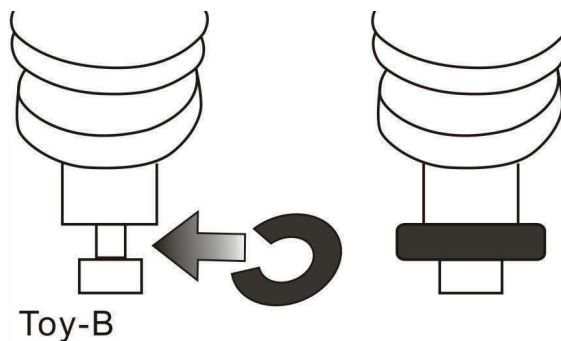
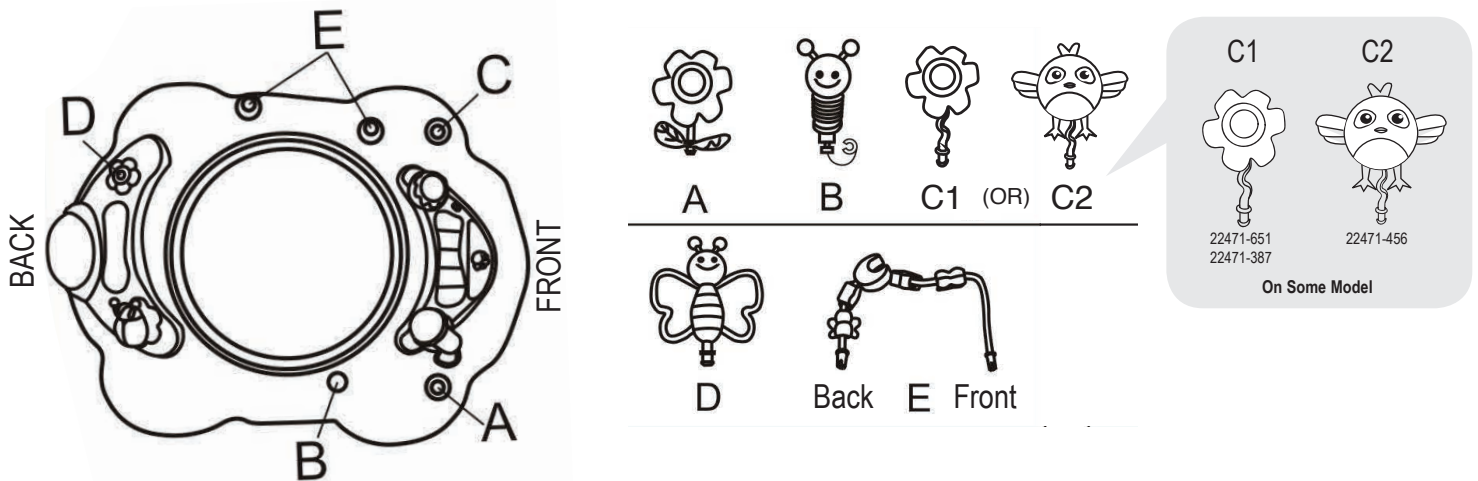
6

- Insert the sides of the 2 toy trays into the walker top base first, then the fronts into the trays.
- (Check to make sure that the toy trays are firmly attached to walker top base.)



7

- Insert and snap the toys into walker top base in the designated locations.
- For toy B you will also need to place the "C" around the stem of the toy after you insert through top base.

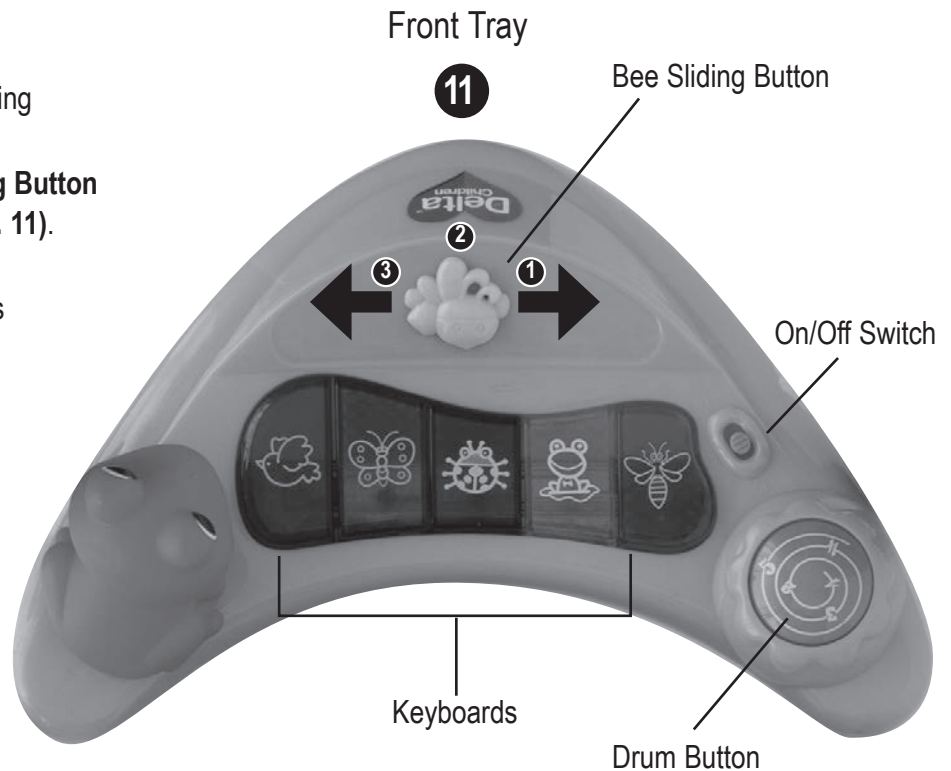


Instructions For Music Keyboard

8

MUSIC FUNCTION FRONT TOY TRAY:

- Switch 'on' the music function by activating the 'on/off' switch.
- Select music by sliding the "Bee Sliding Button" to the left and right as illustrated in (Fig. 11).
 - POSITION 1 – plays Piano Sounds
 - POSITION 2 – plays Animal Sounds
 - POSITION 3 – plays Melodies
- Press down keyboard and drum buttons to activate music.



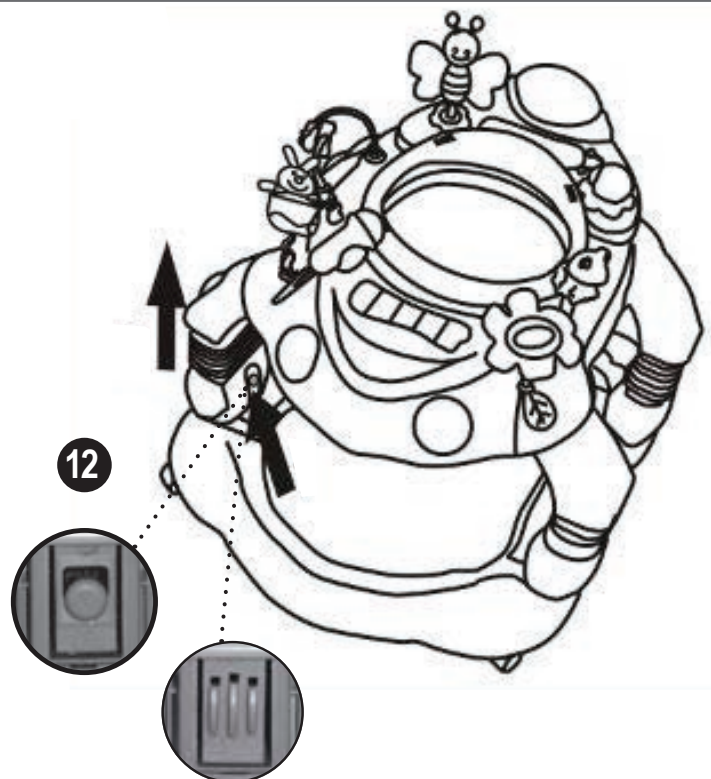
Instructions For Changing Height of Seat

9

WARNING: DO NOT adjust the legs height with the baby in the walker. Remove the baby from the walker when adjusting the legs height.

- ADJUSTING THE SEAT HEIGHT – To adjust the height, press leg button first located on each leg and either elevate or lower the leg to the desired position as illustrated in (Fig. 12). Remember to adjust one leg at a time and one position at a time per leg be sure they are in the same height level before use.
- Once in a fully locked position, push downward on legs to ensure legs are in a locked position.

NOTE: The activity center can be adjusted to 3 different height levels. Make sure all legs are adjusted to the same height level when adjusting the height of the seat.



Instructions For Rocking Feature

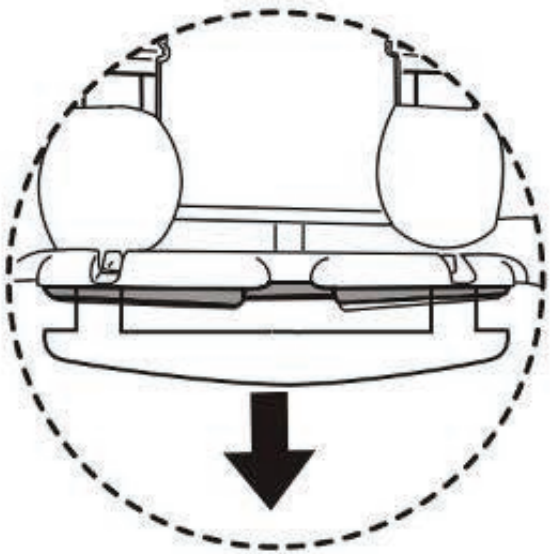
10

WARNING: DO NOT change functions with the baby in the walker.
Remove the baby from the walker when changing functions.

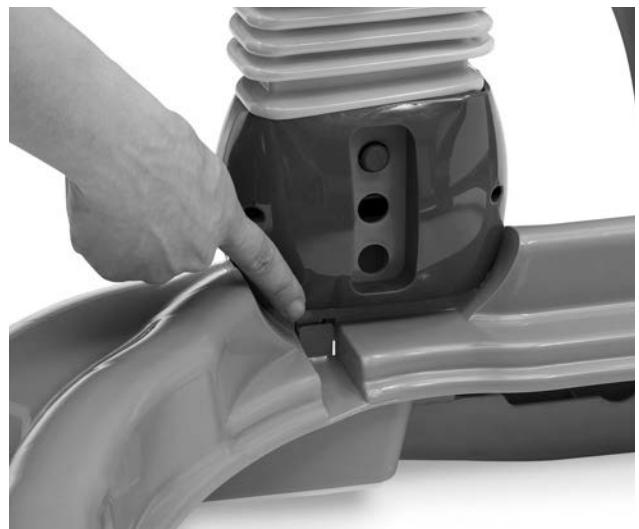
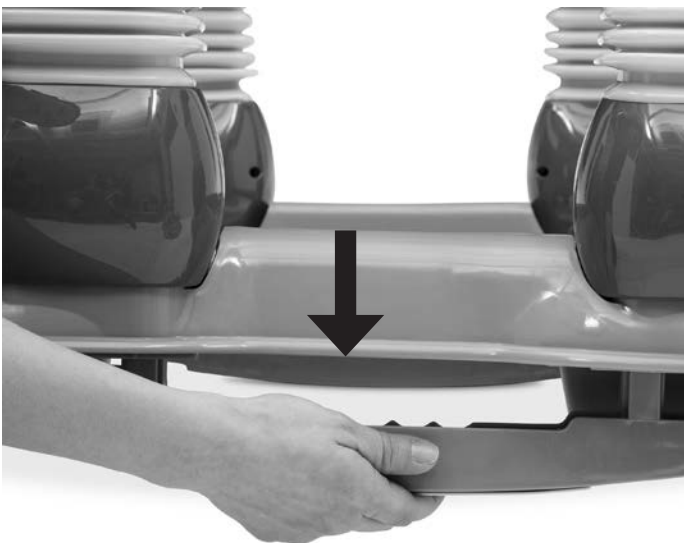
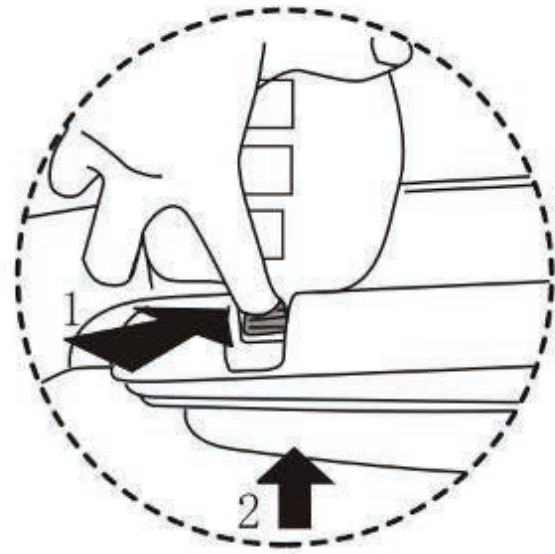
ROCKING FUNCTION:

- **TO USE:** Pull the rocking bar down and into a fully locked position on both sides of walker base as shown in (Fig. 13). Once in a fully locked position, Push upward on rocking bar to ensure they are locked.
- **TO CLOSE:** Push the rocking leg buttons inward first while pushing upward on the rocking bar into a locked position as illustrated in (Fig. 14).

13



14



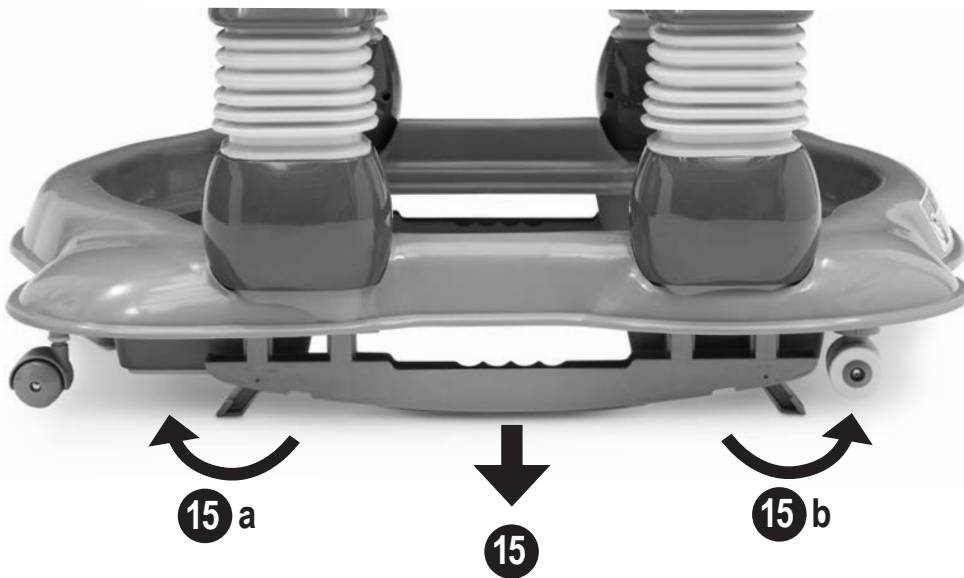
Instructions For Stationary Activity Feature

WARNING: DO NOT change functions with the baby in the walker.
Remove the baby from the walker when changing functions.

Before placing child into the seat, check to make sure all stationary legs are on a level surface and all 4 legs are touching the floor.

STATIONARY ACTIVITY FUNCTION:

- Pull the rocking bar down and into a fully locked position, on both sides of walker base as shown in (Fig. 15). Once in a fully locked position Push upward on rocking bar to ensure they are locked.
- Pull out and rotate all 4 stationary legs to a fully locked position as shown in (Fig. 15a & 15b).
Once all 4 stationary legs are in a fully locked position, Push downward on top walker tray to ensure they are fully locked and check to make sure all 4 legs are level and touching the floor.



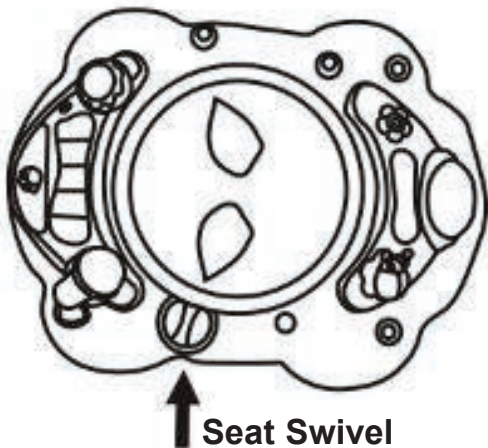
FOR USE ONLY WHEN USING AS STATIONARY ACTIVITY CENTER:

WARNING: DO NOT spin baby in seat, only permit baby to rotate the seat.
IMPORTANT! Always lock the seat in walker function.

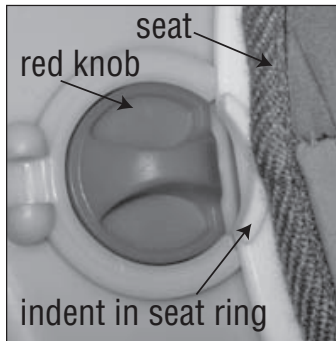
SEAT SWIVEL FUNCTION: For seat to swivel, lift and rotate the red knob in position as shown in (Fig. 16).

To lock seat in place, lift and rotate red knob in position as shown in (Fig. 17).

NOTE: For the red knob to rotate, make sure that the indent in the white seat ring is lined up with the red knob.

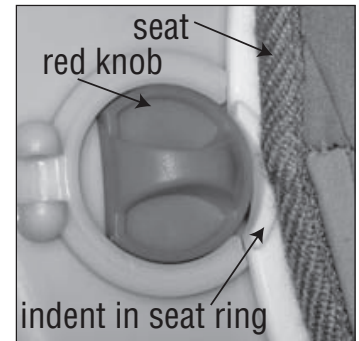


seat in swivel position



16 SWIVEL POSITION

seat in lock position



17 LOCKED POSITION

To Convert Back to Rocker or Walker

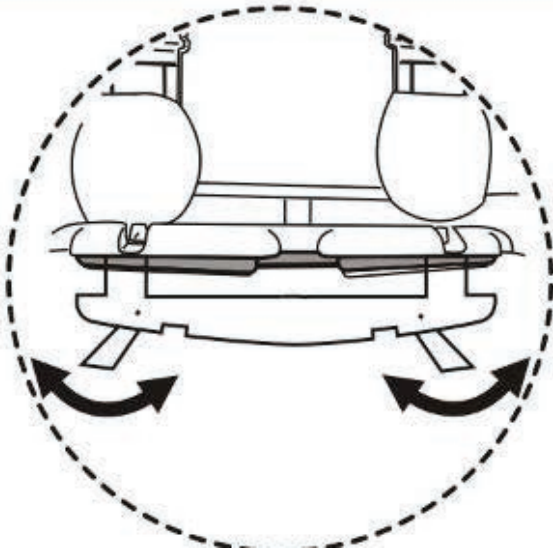
12

WARNING: DO NOT change functions with the baby in the walker.

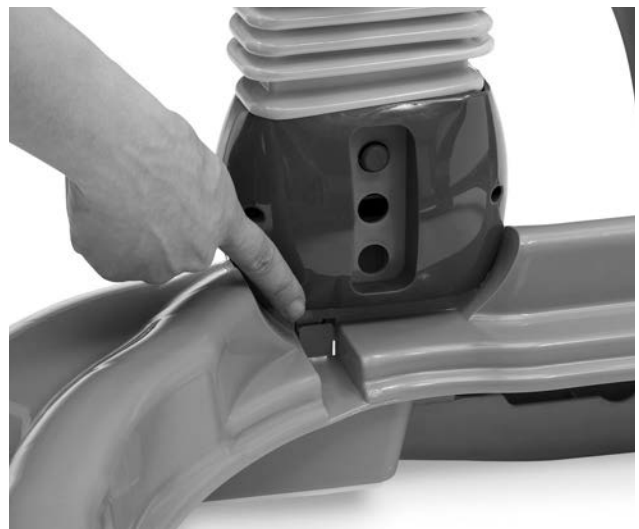
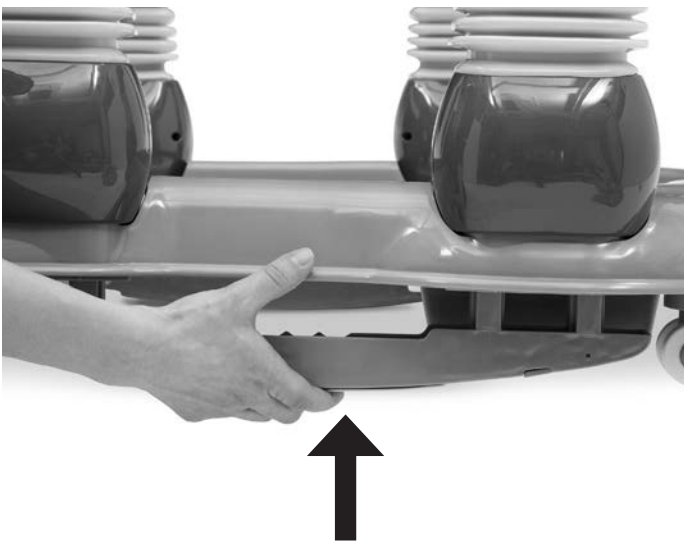
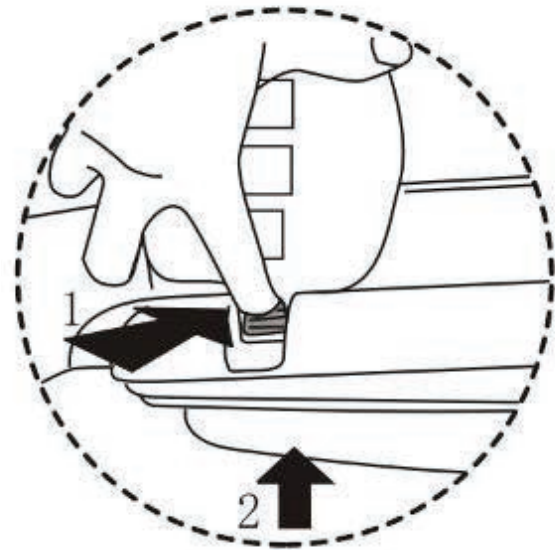
Remove the baby from the walker when changing functions.

- To close rotate all 4 stationary legs inward into a fully locked position as shown in (Fig. 18).
- Push the rocking leg buttons inward first while pushing upward on the rocking bar into a locked position as illustrated in (Fig.19).
- Once in a fully locked position, push upward on rocking bar to ensure they are locked.

18



19

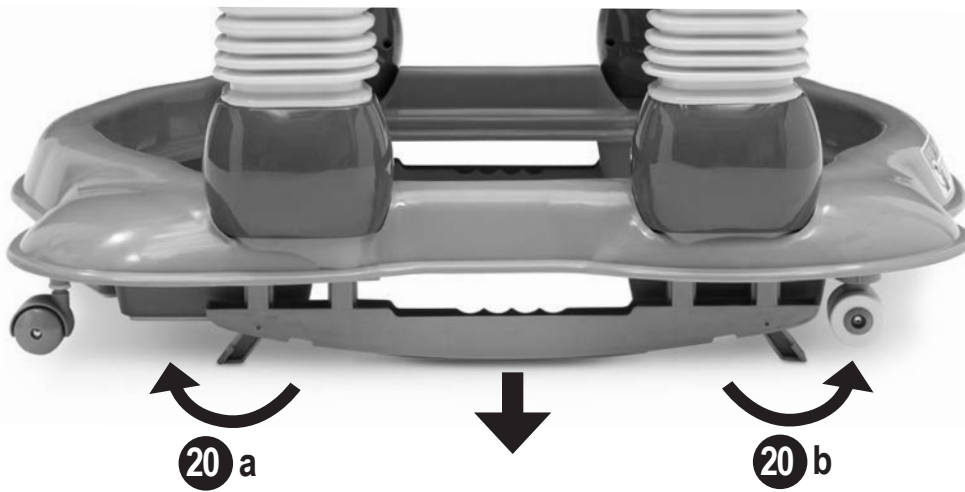


Instructions For Bouncing Feature

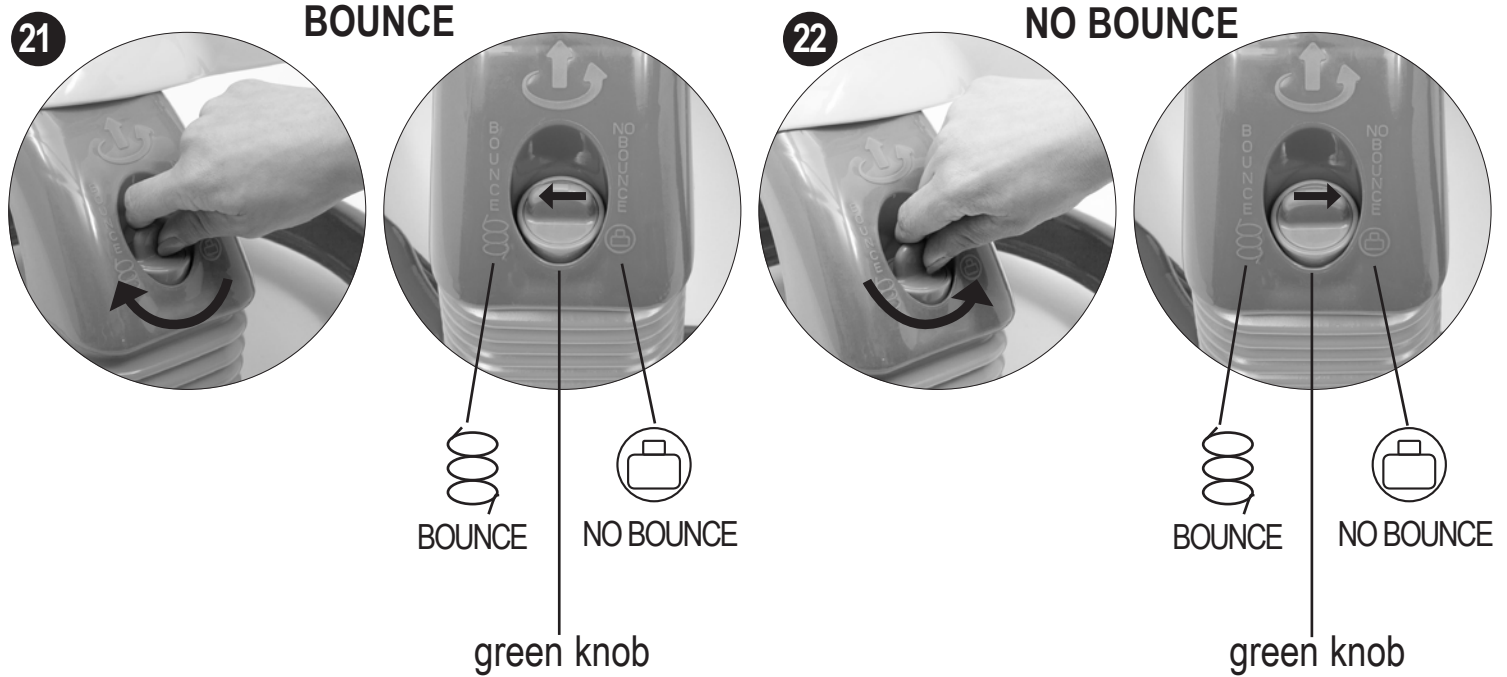
WARNING: DO NOT change functions with the baby in the walker. Remove the baby from the walker when changing functions. Before changing to bouncing feature make sure walker is changed to stationary mode. Before placing child into the seat, check to make sure all stationary legs are on a level surface and all 4 legs are touching the floor.

STATIONARY ACTIVITY FUNCTION:

- Pull the rocking bar down and into a fully locked position, on both sides of walker base as shown in (Fig. 20). Once in a fully locked position push upward on rocking bar to ensure they are locked.
- Pull out and rotate all 4 stationary legs to a fully locked position as shown in (Fig. 20a & 20b).
Once all 4 stationary legs are in a fully locked position, Push downward on top walker tray to ensure they are fully locked and check to make sure all 4 legs are level and touching the floor.



- **FOR BOUNCING:** Rotate green knob clockwise as shown in (Fig. 21).
- **NO BOUNCING:** Rotate green knob counterclockwise as shown in (Fig. 22).



Notes



Delta Children
114 West 26th Street
New York, NY 10001
(646) 435-8726
www.DeltaChildren.com

Made in China