

! WARNING:

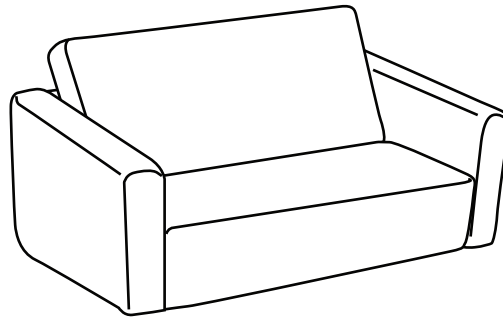
- FOR CHILDREN AGES 18 MONTHS AND UP.
- **Suffocation Hazard!**
- **NEVER** use with infants who cannot sit up or get in and out of the product unassisted
- Child can roll over and get head and face entrapped against soft side of product and suffocate

DELTA♥CHILDREN

Convertible Chair/Sofa

Instruction Manual:

208220, 208220W

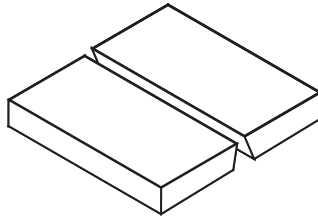


Please read the following instructions and warnings carefully. **KEEP THIS INSTRUCTION MANUAL FOR FUTURE REFERENCE. DO NOT** use this product if it is damaged or broken.

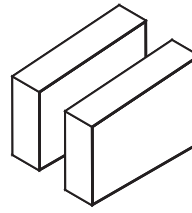
PARTS



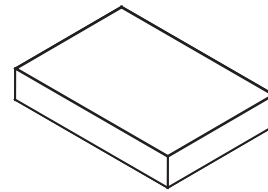
A Chair/Sofa Slipcover



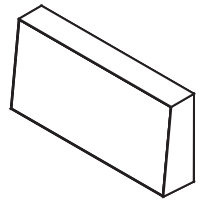
B Angled Lounger Foam (2)



C Side Arm Foam (2)

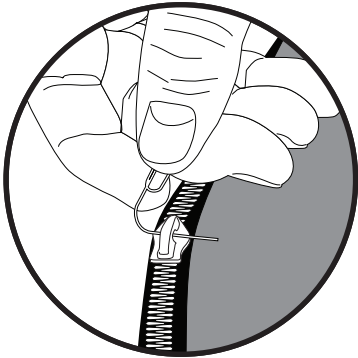


D Base Foam



E Chair/Sofa Back Foam

OPENING/CLOSING CHAIR/SOFA SLIPCOVER



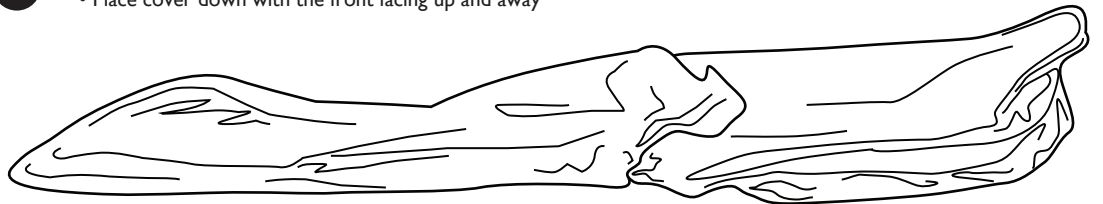
TO OPEN OR REMOVE COVER

- Locate Childproof Closure from underneath the Convertible Chair/Sofa
- Use paper clip to insert through Childproof Closure hole
- Zip/Unzip all the way and removed paper clip from Childproof Closure hole

CHAIR/SOFA FOAM ASSEMBLY

A STUFFING THE CHAIR/SOFA SILPCOVER

- Place cover down with the front facing up and away



Read all instructions **BEFORE** assembly and **USE** of product
KEEP INSTRUCTIONS FOR FUTURE USE.

DELTA♥CHILDREN™

CHAIR/SOFA FOAM ASSEMBLY (CONTINUED)

CHAIR/SOFA FOAM LAYOUT

• Parts are numbered in order of assembly

- 1 START WITH:**
 (B) Angled Lounger Foam
 • Angle pieces orientation is key to proper folding
 • Important that the angled pieces leave gap at the bottom

- 2 NEXT:**
 Insert (B) Angled Lounger Foam
 • Angle pieces orientation is key to proper folding
 • Important that the angled pieces leave gap at the bottom

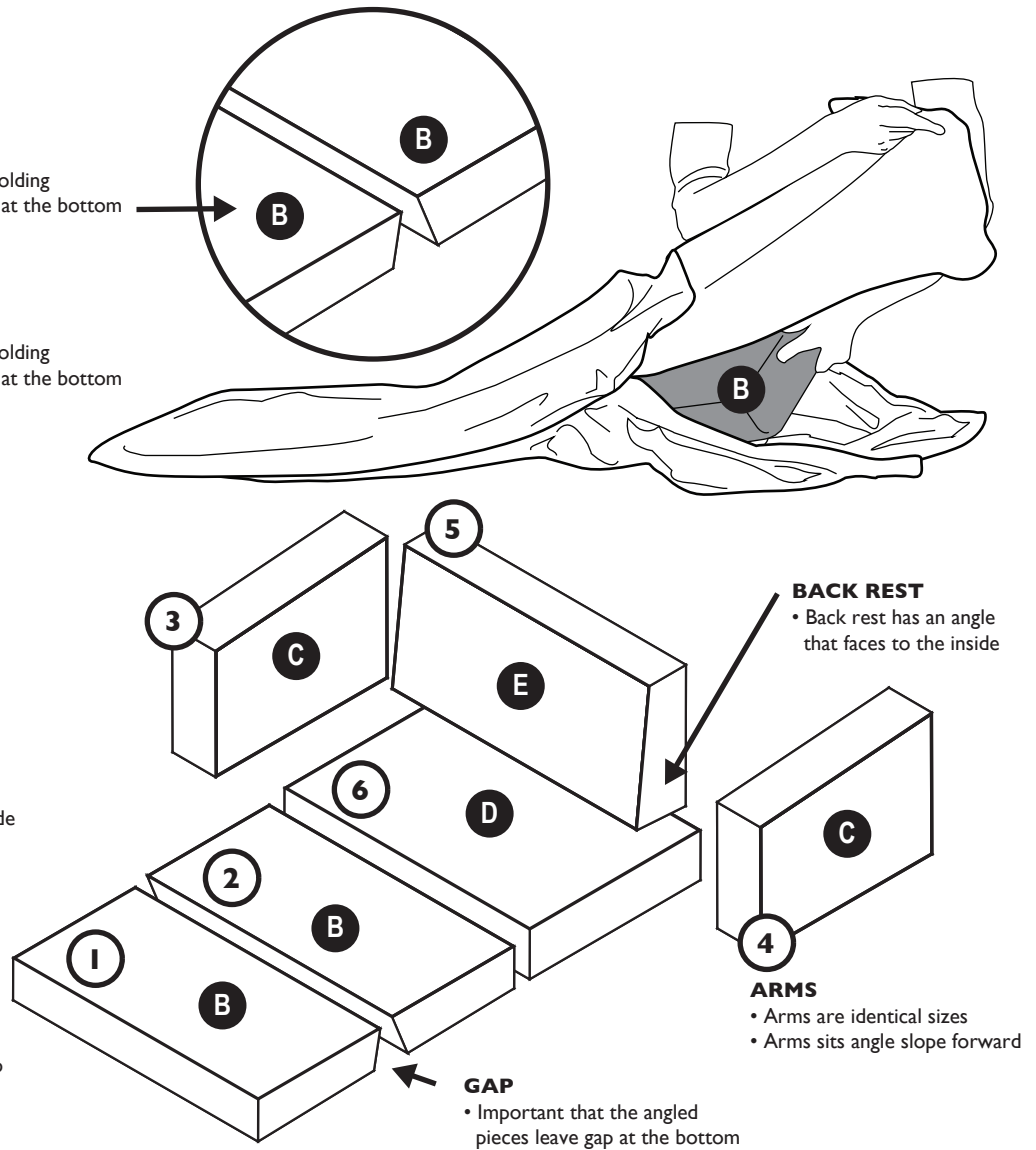
- 3 NEXT:**
 Insert (C) Side Arm Foam
 • Arms sits angle slope forward

- 4 NEXT:**
 Insert (C) Side Arm Foam
 • Arms sits angle slope forward

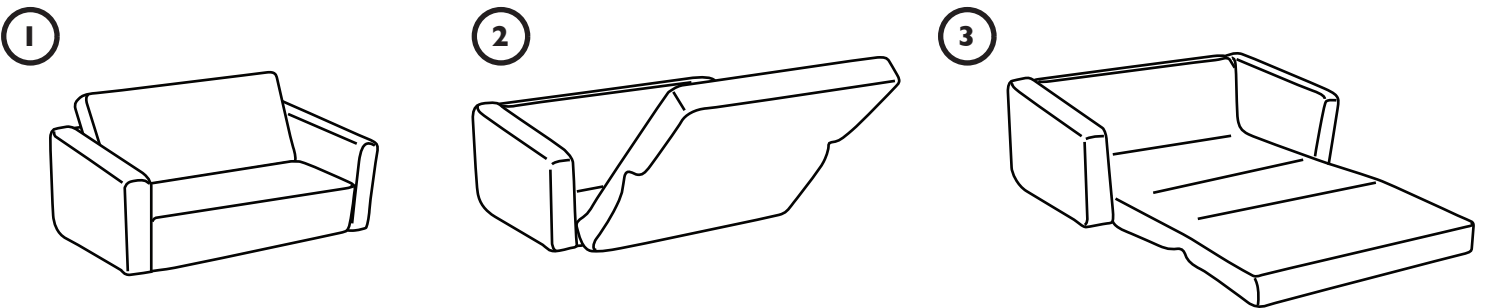
- 5 NEXT:**
 Insert (E) Chair Back Foam
 Back rest has an angle that faces to the inside

- 6 NEXT:**
 Insert (D) Base Foam

- 7 FINISH BY:**
 • Zipping all the way and removed paper clip from Childproof Closure hole

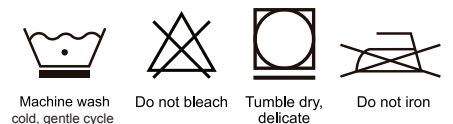


CHAIR/SOFA TO LOUNGER



CARE INSTRUCTIONS:

Cold Water, Gentle Cycle, NO BLEACH, NO IRONING
 Regular Detergent, Tumble Dry Low Heat or Air Dry



Please retain information for future reference.

Colors and styles may vary.

MADE IN CHINA.

6/2020



© 2020 Delta Children's Products Corp.
 114 West 26th Street
 New York, NY 10001
 www.DeltaChildren.com

Customer Experience Center
 (646) 859-0320
 email: g2cs@deltachildren.com