

# REVOLVE STROLLER



## INSTRUCTION MANUAL

**ADULT ASSEMBLY REQUIRED**

# 11898



**STYLES AND COLORS MAY VARY**

Fits carriage #A1903, sold separately on  
[www.deltachildren.com](http://www.deltachildren.com).

Fits the following car seats with  
#A1901, sold separately on  
[www.deltachildren.com](http://www.deltachildren.com).

Graco® SnugRide® Click Connect™ 30, 35, and 40  
Infant Car Seat (not included)

Evenflo® Embrace™ Select Infant Car Seat (not included)

Evenflo® Nurture™ Infant Car Seat (not included)

Chicco® Keyfit 30™ Infant Car Seat (not included)

Britax® B-Safe 35™ Infant Car Seat (not included)

**▲ WARNING:  
CHOKING HAZARD**

Adult assembly required because of  
small parts. Keep assembly parts out  
of reach of children under 3 years.

**Read all instructions BEFORE assembly and USE of product  
KEEP INSTRUCTIONS FOR FUTURE USE.**

This stroller is not from, sponsored or endorsed by  
Graco Children's Products Inc., Artsana S.p.A., Britax, or  
Goodbaby International Holdings Ltd.

Customer Experience Center

email: [gcs@DeltaChildren.com](mailto:gcs@DeltaChildren.com)



[www.DeltaChildren.com](http://www.DeltaChildren.com)

DCP-IM-20200810

# WARNING

**WARNING:** Please follow all of these instructions to ensure the safety of your child.

Keep these instructions for future reference.

**WARNING:** Failure to follow these instructions could result in serious injury or death.

- Avoid serious injury from falling or sliding out. **ALWAYS** ensure that the child is properly positioned by using the safety harness according to these instructions. **ONLY** children who have developed enough upper body control to sit without leaning forward can use the front seat in the upright position.
- **NEVER** leave children unattended.

**WARNING: CHOKING HAZARD** Adult assembly required because of small parts. Keep (assembly parts) out of reach of children under 3 years.

**CAUTION:** Purses, shopping bags, parcels, diaper bags or accessory items may change the balance of the stroller and cause hazardous unstable conditions.

## TO PREVENT INJURY

- Never leave the stroller on a sloping surface with the child in it, even if the brake is activated.
- Do not allow children to stand on the seat or footrest.
- Do not lift and carry the stroller when the child is seated. The stroller may slip or the guard rail may come off.
- Always apply the brakes whenever the stroller is stationary.
- Make sure all body parts are clear of the stroller when folding and unfolding.
- The maximum weight that can be carried in the lower basket, and child tray, each is 4.4 lbs (~2 kg). Excessive weight may cause a hazardous unstable condition to exist.
- Before allowing the children near the stroller, be certain the stroller is fully erect and latched in the open locked position.
- Use of the stroller with children weighing more than 50 pounds (22.67 kg) or over 42 inches (106.7 cm) tall, may cause a hazardous unstable condition to the stroller.
- **NEVER** use the stroller on stairways or escalators.
- **NEVER** allow your stroller to be used as a toy.
- **NEVER** use the stroller in conjunction with bicycles, skateboards, roller skates, or in-line skates.
- We recommend that the child occupant needs to be 6 months of age, at the minimum, before use of the stroller.

Product features and decorations may vary from the photo.

## WHEN USED IN THE INFANT CARRIER MODE

**SUFFOCATION HAZARD:** Infant carrier can roll over on soft surfaces and suffocate child.

Never place carrier on beds, sofas, or other soft surfaces.

**STRANGULATION HAZARD:** Children have strangled in loose or partially buckled harness traps.

Fully restrain the child at all times.

**FALL HAZARD:** Child's activity can move the carrier.

- Never Place Carrier on counter tops, tables, or any other elevated surface.
- Never use this carrier as a means to transport an infant in a motor vehicle.

# CARE AND MAINTENANCE

- To clean the plastic parts on stroller use a mild cleaning solution with warm water on a sponge or damp cloth. Hand wash fabric with damp cloth and air dry. Do not use bleach.
- To keep your stroller wheels from squeaking, use silicone or graphite based lubricant.
- Check your stroller for loose screws, worn parts, torn material or stitching on a regular basis. Replace or repair parts as needed, discontinue use of stroller if it should become damaged or malfunctions.
- Strong sun exposure may cause aging and color fading.



## **Before returning this product to the store! Let's see if we can assist you!**

- **Not sure how to assemble our product?**

Visit our site for easy to follow instructions along with some Tricks and Tips assembly video's <https://www.deltachildren.com/pages/instructions>

- **If you are missing a piece or have a damaged part**

Please contact our Consumer Experience Center for assistance at [gcs@DeltaChildren.com](mailto:gcs@DeltaChildren.com). To better assist you please have your Style# or Model# and Lot# available. This can be found on a white rectangular sticker on your product, on the registration card, and on the product's box.

- **In the event we do not have a replacement part available**

You may need to return your product to the retailer for an exchange or refund.

- **Warranty**

In order to protect your investment, don't forget to register your product. You may also wish to consider purchasing our extended warranty.

Visit <https://www.deltachildren.com/pages/extended-warranty> for more details.

- **Please note:**

"All Final", "As Is" or Third Party/Liquidator sales are not covered under our Limited Limited Manufacturer Warranty..



## LIMITED MANUFACTURER WARRANTY

This Delta product is warranted to be free from defects for a period of 90 days from the date of purchase under normal use. This warranty extends only to the original retail purchaser and is valid only when supplied with proof of purchase, or if received as a gift, when the registration is on file with Delta. This limited manufacturer warranty does not cover the following:

- Products purchased as floor models or samples.
- Items purchased on an “as-is” basis, as a second hand product, or as a resale product.
- Items purchased at a Final sale, a “Going out of Business” sale, or a Liquidation sale.

TO REGISTER YOUR PRODUCT for important safety alerts and updates to your product please visit [www.deltachildren.com](http://www.deltachildren.com)

TO REPORT A PROBLEM, please log on to [www.deltachildren.com](http://www.deltachildren.com) and click the Consumer Care Tab, or contact us by email [gcs@DeltaChildren.com](mailto:gcs@DeltaChildren.com)

Date of Purchase: \_\_\_\_\_ (you should also keep your receipt)

## EXTENDED WARRANTY

**DON'T MISS YOUR CHANCE TO BE COVERED FOR ALL OF LIFE'S MISHAPS!**

With Delta's Extended Warranty, you're covered for mechanical failure from normal use or if your item stops working due to normal wear and tear, plus all those unexpected surprises.

## 2 YEARS OF PROTECTION

**For Additional Information:**

**Simply visit our Website, register your product, and add the Extended Warranty**

**<https://www.deltachildren.com/pages/product-registration>**

Extended Warranty only available in the following States: Arkansas, Colorado, Delaware, District of Columbia, Georgia, Idaho, Illinois, Indiana, Iowa, Kansas, Kentucky, Louisiana, Maryland, Michigan, Mississippi, Missouri, Nebraska, Nevada, New Hampshire, New York, North Carolina, North Dakota, Pennsylvania, Rhode Island, South Dakota, Tennessee, Utah, West Virginia

# Parts

**IMPORTANT!** Please remove all parts from the package and identify them before assembly.

**IMPORTANT!** Before assembly and each use, inspect this product for damaged hardware, loose joints, missing parts, or sharp edges. NEVER use if any parts are missing or broken. Contact manufacturer for replacement parts and instructions if needed. Never substitute parts. **IMPORTANT!** Adult assembly is required.



Stroller Frame



Stroller Seat



Canopy



Crotch Pad



Shoulder Pads (x2)



Storage Fabric



Child Bar



Front Wheels (x2)



Rear Wheels (x2)

# Assembly

Remove stroller from box. The child bar, stroller seat, and canopy need to be installed prior to use.

## UNFOLDING STROLLER

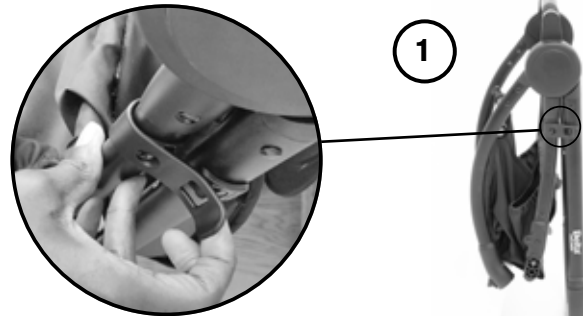


Fig. 1

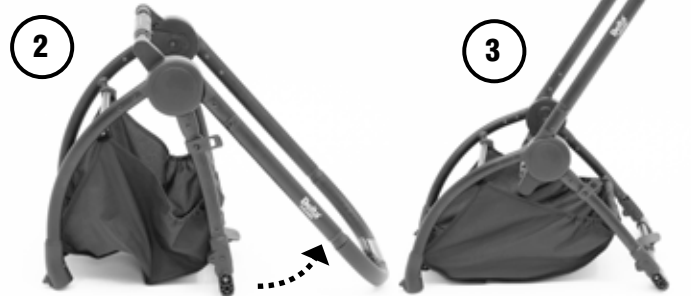


Fig. 1A

\*Assembled

## INSTALLING SEAT



Fig. 1B



Fig. 1C

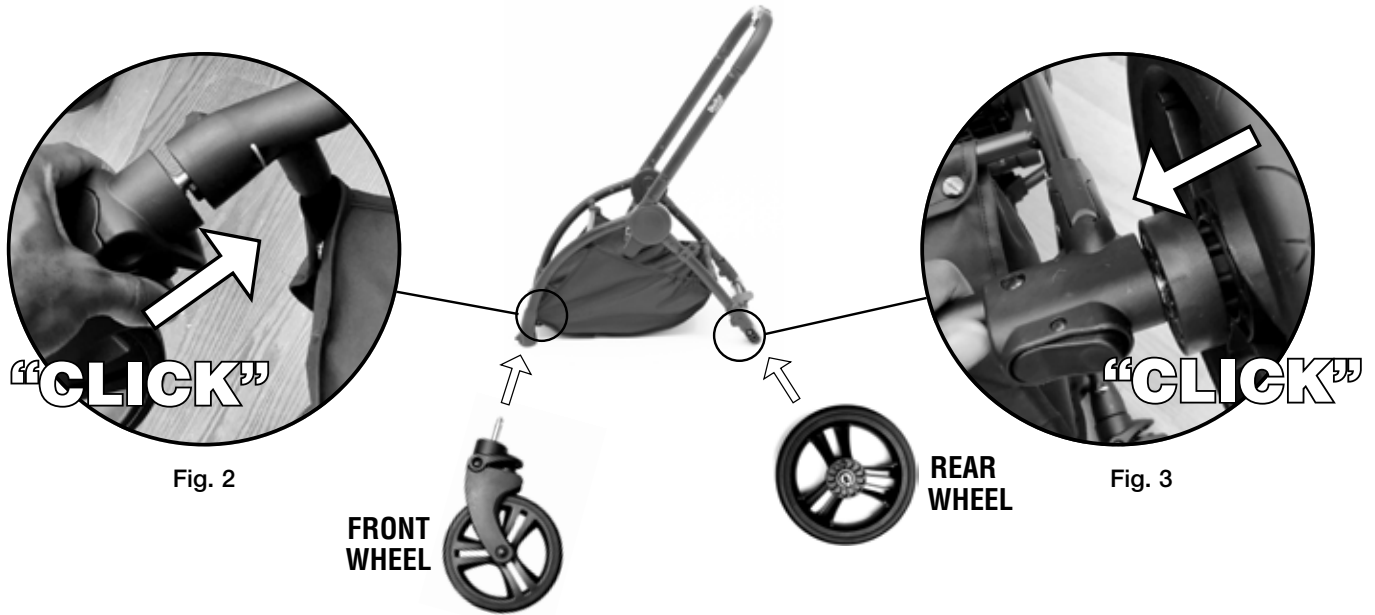
1

### UNFOLDING THE STROLLER & INSTALLING STROLLER SEAT

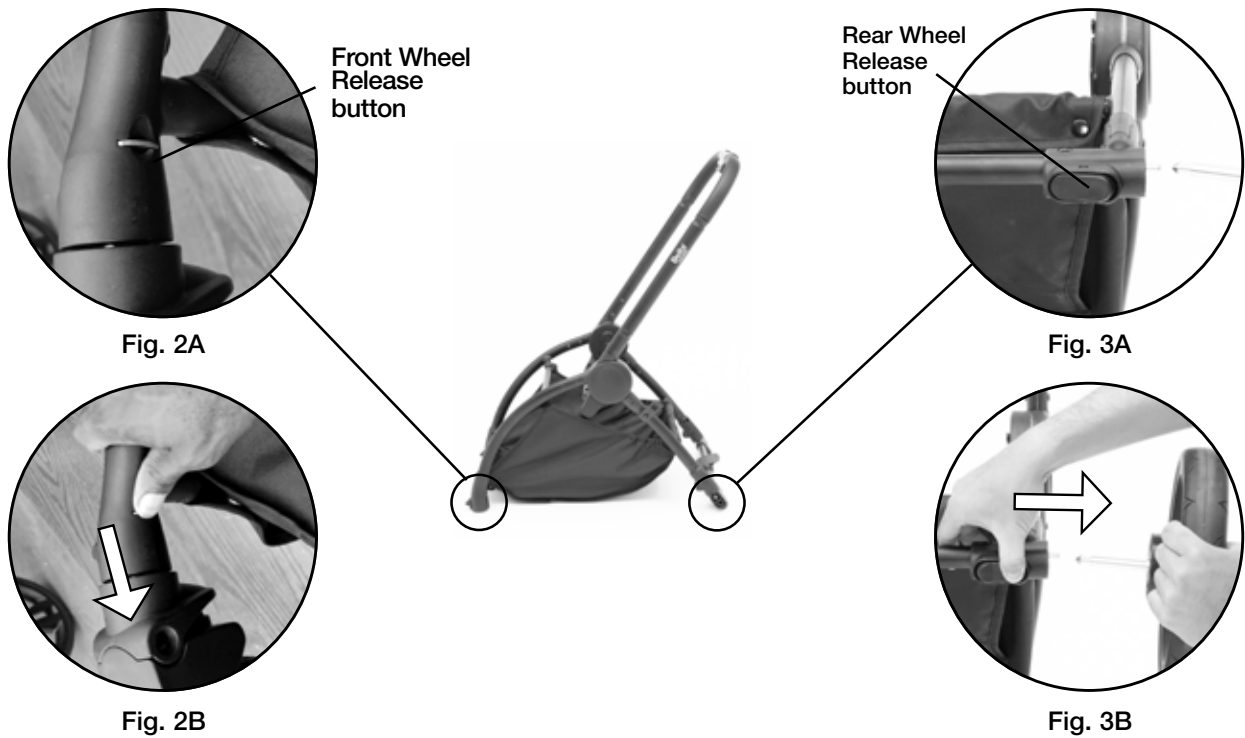
- **To unfold the stroller:** Unhook the latch, located on the left side of the frame (Fig. 1).
- Pull the handlebar up and back until the stroller locks into place (Fig. 1A)
- **To install stroller seat:** Align in preferred orientation (Forward or reverse) and lower onto frame as shown (Fig. 1B).
- When installing/removing stroller seat, make sure white lines are aligned as shown (Fig. 1C).

# ASSEMBLY

## INSTALLING WHEELS



## REMOVING WHEELS



2

### INSTALLING & REMOVING THE FRONT WHEELS

- **To install front wheels:** Push each front wheel into the front wheel bayonet until you hear a ‘CLICK’. Ensure it is securely attached to the stroller before use. (Fig. 2)
- **To remove the front wheels:** Locate the release button which can be found at the back of the wheel bayonet (Fig 2A).
- While pushing the release button, gently remove the wheel from the bayonet (Fig. 2B).

3

### INSTALLING & REMOVING THE REAR WHEELS

- **To install rear wheels:** Push each rear wheel into the rear wheel axle until you hear a ‘CLICK’. Ensure it is securely attached to the stroller before use. (Fig. 3)
- **To remove the front wheels:** Locate the release button which can be found at the bottom of the axle (Fig. 3A).
- While pushing the button, gently remove the wheel from the axle (Fig. 3B).

# ASSEMBLY



Fig. 4



Fig. 4A

4

## INSTALLING & REMOVING CHILD BAR

- **To install child bar:** Align the child bar with the slot on the frame and slide in until you hear a 'CLICK'. Child bar is properly inserted when release buttons are in the raised position (Fig. 4).
  - **To remove child bar:** Push in release buttons located at child bar connection slots and pull the child bar away from the stroller frame (Fig. 4A).
- NOTE:** Child bar can be inserted in either direction.  
**NOTE:** Make sure child bar is secure before use by pulling on bar.

## REFERENCE

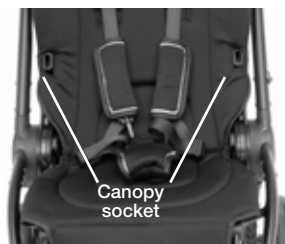


Fig. 5 (Front of seat)

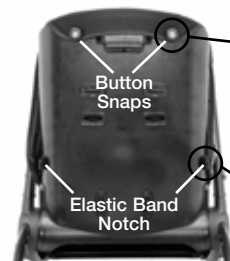
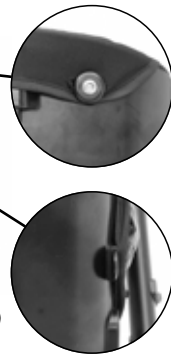


Fig. 5A (Back of seat)



## INSTALLING CANOPY

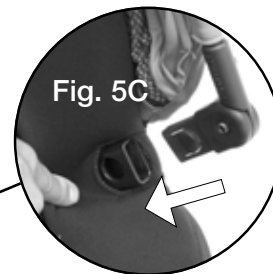
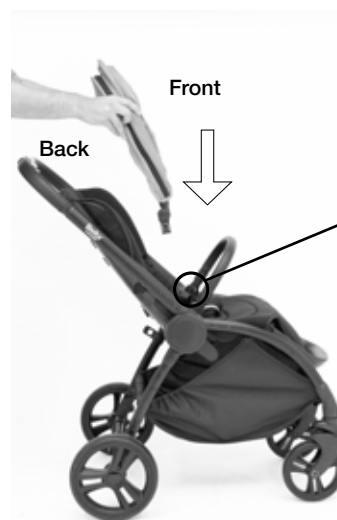
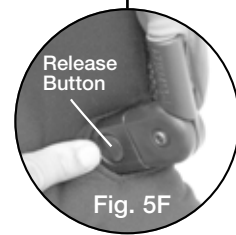


Fig. 5C

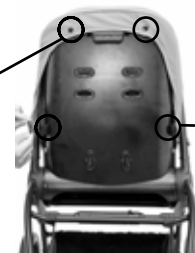


Release Button

Fig. 5F



Fig. 5D



(Back of seat)

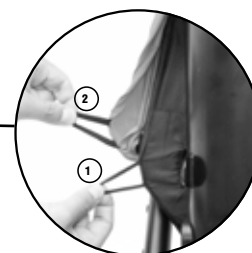


Fig. 5E

5

## INSTALLING & REMOVING CANOPY

- **To install canopy:** Locate canopy sockets at sides of stroller seat, and button snaps/cord notches at back of stroller seat (Fig. 5, 5A)
- Arrange canopy with seat so button snaps are aligned with their connections at the **BACK** of stroller seat (Fig. 5B).
- Insert canopy connectors into canopy sockets. (Fig. 5C).
- Connect snaps at upper back of stroller seat (Fig. 5D).
- Wrap **elastic band 2** (from canopy) around notches at lower back of seat (Fig. 5E).
- **To remove canopy:** Undo both snaps at back of seat (Fig. 5D)
- Remove elastic bands from notches at the back of seat (Fig. 5E)
- Push in release buttons located on both sides of the canopy connectors and pull canopy away from stroller frame (Fig. 5F).

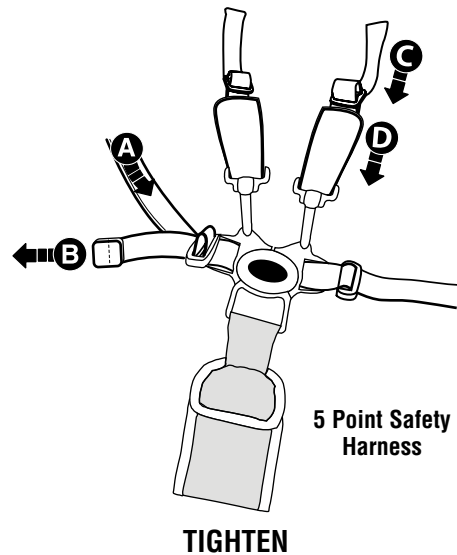
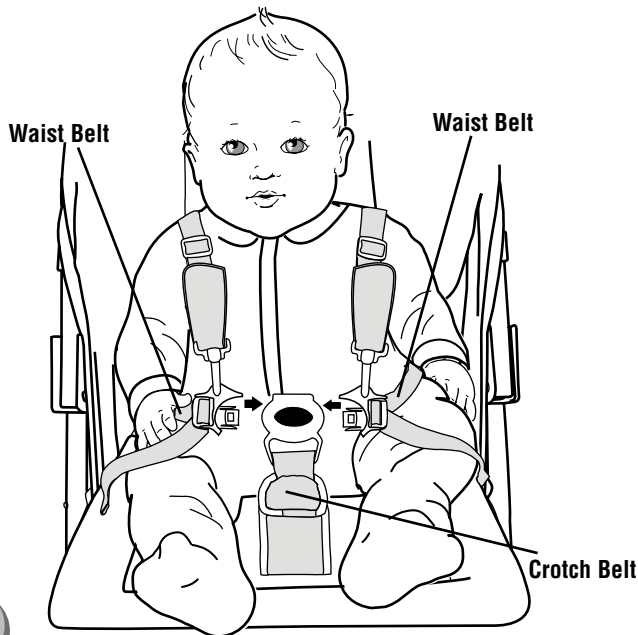
# SECURING CHILD

## Before Placing your Child in Stroller:

Close Canopy. Press both brake pedals down until they “click” into the locked position.

**Make sure the brake pedals are pressed down completely.**

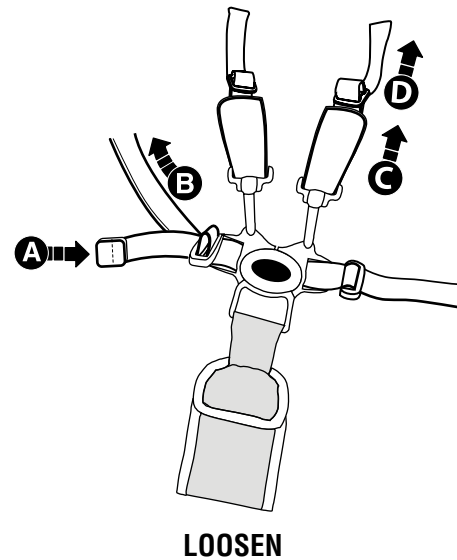
Always set both brake pedals when parking the stroller.



1

## Securing Child

- Place your child in the stroller. Position the crotch belt between your child’s legs.
- Pull shoulder straps over child’s arm and shoulder and fasten **both** strap ends to the restraint system.
- Fasten **both** waist belts to the buckle on each side of the crotch belt. Make sure you hear a “**click**” on both sides.
- Check to be sure the restraint system is securely attached by pulling it away from your child. The restraint system should remain attached.



3



2

- Tighten each waist belt and shoulder strap so that the restraint system is snug against your child.  
Please refer to the next section for instructions to tighten the waist belts.

## To tighten the waist belts and shoulder straps:

- Feed the anchored end of a waist belt up through the buckle to form a loop **A**. Pull the free end of the waist belt **B**.
- Repeat this procedure to tighten the other waist belt.
- Feed the top end of the shoulder strap through the plastic stay to form a loop **C**. Pull the bottom end down to tighten the strap **D**.
- Repeat this procedure to tighten the other shoulder strap.

## To loosen the waist belts and shoulder straps:

- Feed the free end of the waist belt up through the buckle to form a loop **A**. Enlarge the loop by pulling on the end of the loop toward the buckle. Pull the anchored end of the waist belt to shorten the free end of the waist belt **B**.
- Repeat this procedure to loosen the other waist belt.
- Feed the bottom end of the shoulder strap through the plastic stay to form a loop **C**. Pull the top end up to loosen the strap **D**.
- Repeat this procedure to loosen the other shoulder strap.

**Please note:** After adjusting the restraint system to fit your child, make sure you pull on it to be sure it is securely fastened.



# SETUP AND USE

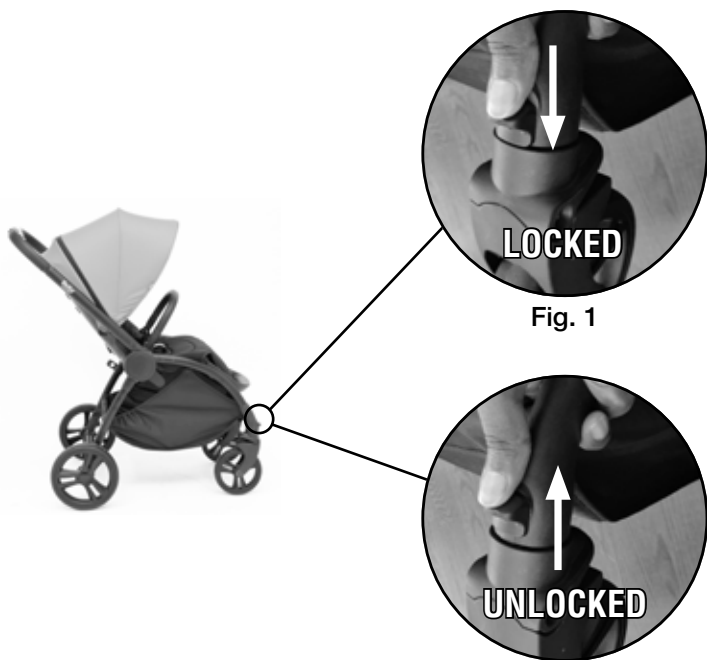


Fig. 1

UNLOCKED

Fig. 1A

1

## USING THE FRONT SWIVEL WHEEL LOCKS

- **To engage the lock**, Align the wheels forward and push the switch located at the rear of the front wheel down towards the wheel (Fig. 1)
- **To release the lock**, pull the switch up away from the wheel. (Fig. 1A)

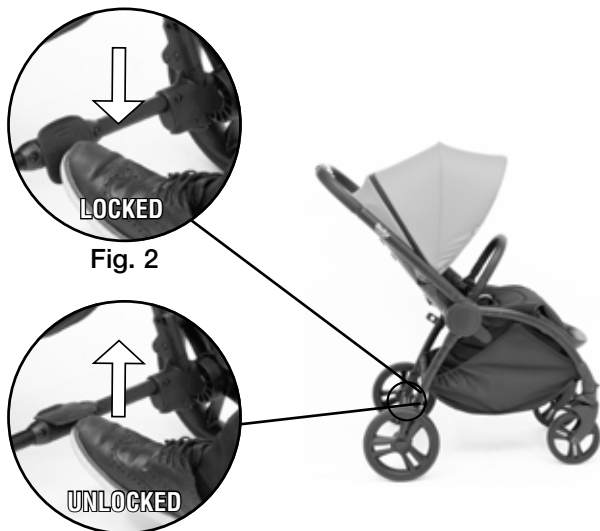


Fig. 2

Fig. 2A

2

## USING THE REAR WHEEL BRAKES

- **To engage brakes**, apply a light downward pressure to the brake lever. Ensure that the brakes have been applied correctly and that the stroller will not move (Fig. 2).
- **To release brakes**, use foot to gently lift up the brake lever (Fig. 2A).

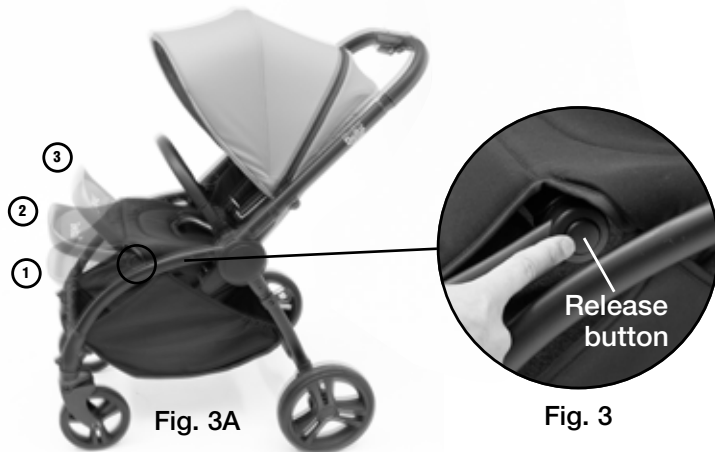


Fig. 3A

Fig. 3

3

## ADJUSTING FOOTREST ANGLE

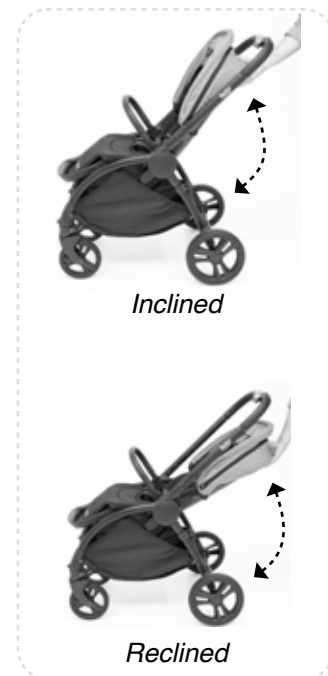
- **To adjust footrest angle**: Press and hold both release buttons located at the leg rest joints (Fig. 3).
- While release buttons are held, adjust footrest angle to desired position and make sure buttons are in raised position before use. (Fig 3B)



Fig. 4



(Back of seat)



Inclined

Reclined

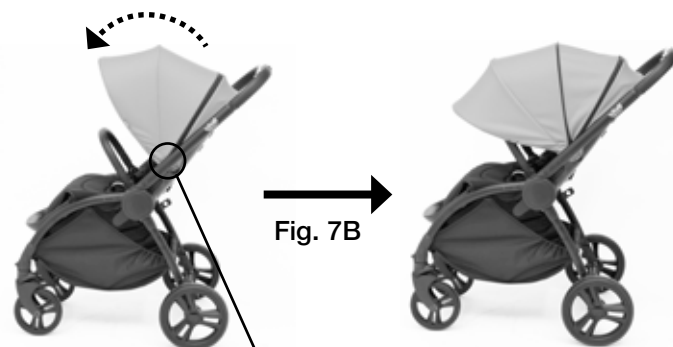
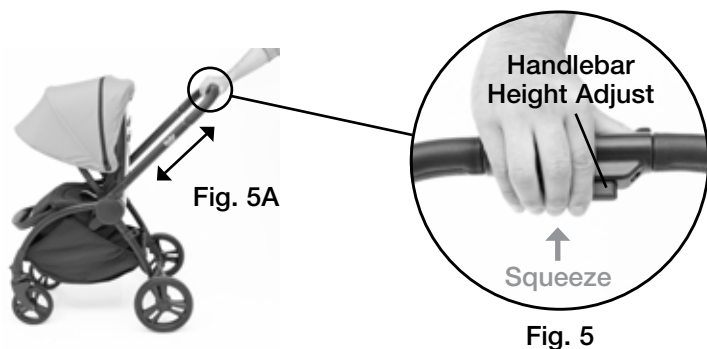
Fig. 4A

4

## ADJUSTING SEAT INCLINE & RECLINE

- **To adjust seat incline & recline**: Locate and squeeze the incline release trigger located at the upper back of the seat unit (Fig. 4)
- While holding trigger, angle up or down to adjust to one of two positions (Fig. 4A).

# SETUP AND USE



5

## ADJUSTING HANDLEBAR HEIGHT

- **To adjust height:** Locate and squeeze the handlebar adjust trigger (Fig. 5)
- While holding trigger, adjust handlebar height and release until you hear a 'CLICK' at one of three height positions (Fig 5A).

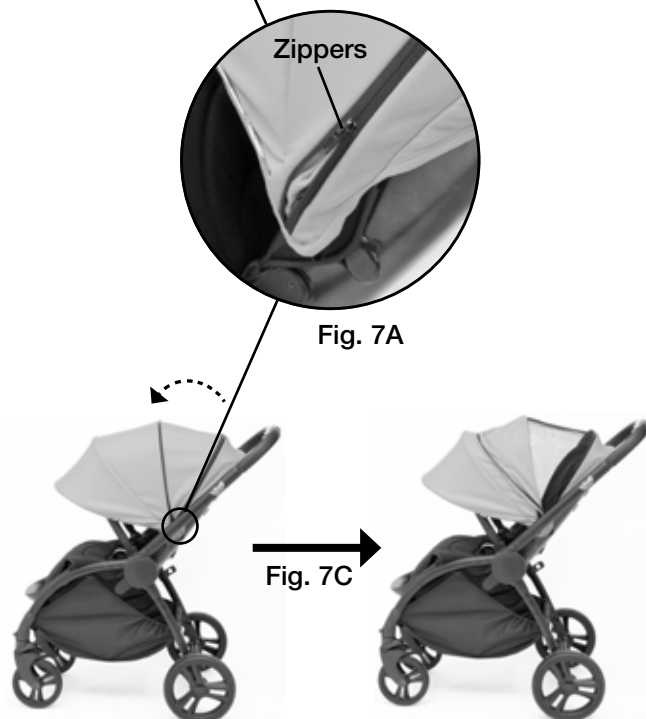
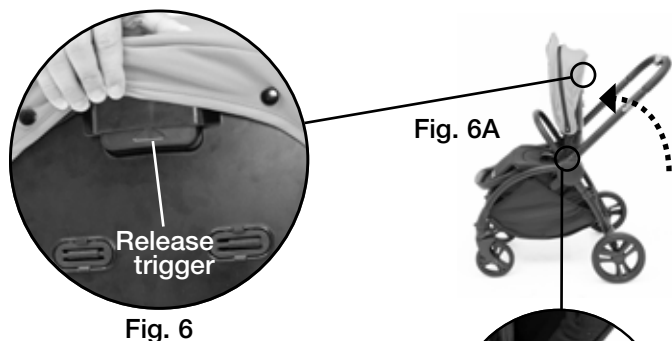


Fig. 6B



Fig. 6C

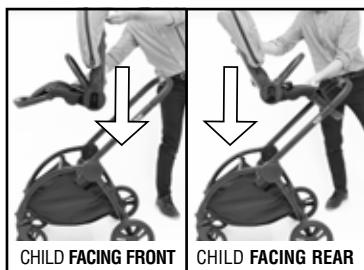


Fig. 6D

7

## EXTENDED CANOPY & MESH OPTIONS

- **To extend canopy:** Locate zipper on left edge of canopy and unzip (Fig. 7A).
- After unzipping, pull canopy forward to extend (Fig. 7B).
- **To reveal mesh:** After extending canopy, locate secondary zipper underneath the first, on left edge of canopy, and unzip (Fig. 7A).
- After unzipping, pull fabric over canopy to reveal mesh (Fig. 7C).
- **To return to normal canopy:** Follow these steps in reverse.

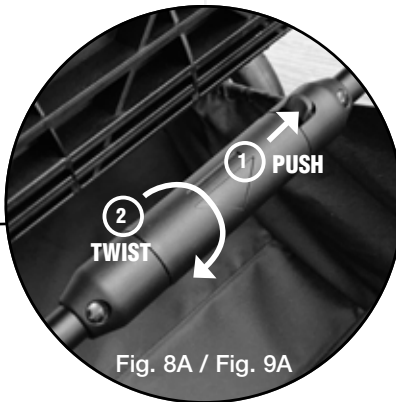
6

## REVERSING SEAT

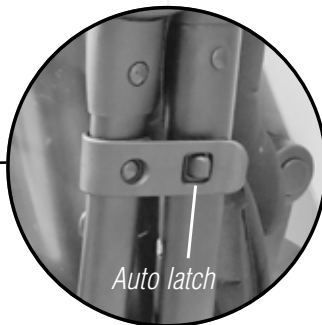
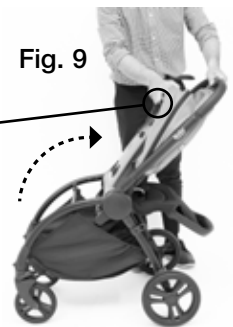
- **To reverse seat:** Locate and squeeze the incline release trigger located at the upper back of the seat unit (Fig. 6)
- While squeezing trigger, angle the seat so it is **vertical** (Fig. 6A) and make sure white lines are aligned as shown (Fig. 6B)
- While squeezing trigger, pull seat away from frame (Fig. 6C)
- Replace seat in either **forward** or **rear** facing position (Fig. 6D)

# SETUP AND USE

## FORWARD SEATED FOLD



## REVERSE SEATED FOLD



8

### FOLDING STROLLER IN FORWARD SEATED POSITION

- **To fold in forward position:** Fold leg rest up by lifting (Fig. 8).
- Locate the rotatable handle directly underneath the seat and, using your right hand, push up lock with your thumb while rotating clockwise in the direction of the arrow (Fig. 8A).
- Using your left hand, fold seat back until auto latch engages (Fig. 8B).

**NOTE:** Use your right hand during the fold, while using left hand to secure seat (Fig. 8B).

**NOTE:** If you have trouble engaging fold mechanism, use left hand to push stroller seat forward before attempting to fold back.

**WARNING:** Please make sure to secure seat with left hand throughout the duration of the fold.

9

### FOLDING STROLLER IN REVERSE SEATED POSITION

- **To fold in reverse position:** Align seat angle with handlebar by pressing release trigger located at the upper back of the seat and angling as shown (Fig. 9).
- Locate the rotatable handle directly underneath the seat and, using your right hand, push up lock with your thumb while rotating clockwise in the direction of the arrow (Fig. 9A).
- Using your left, fold seat back until auto latch engages (Fig. 9B).

**NOTE:** It is suggested to use your right hand during the fold, while using left hand to secure seat.

**NOTE:** If you have trouble engaging fold mechanism, use left hand to push stroller seat up before attempting to fold back.

**WARNING:** Please make sure to secure seat with left hand throughout the duration of the fold.

# INSTALLING CLIPS FOR CAR SEAT ADAPTER OR CARRIAGE

(NOTE: CLIPS ARE INCLUDED WITH STYLE A1901 5 IN 1 ADAPTER AND STYLE A1903 CARRIAGE - BOTH SOLD SEPARATELY ON WWW.DELTACHILDREN.COM)

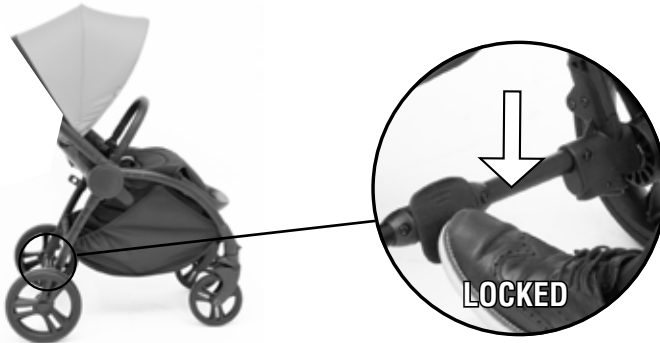


Fig. 1

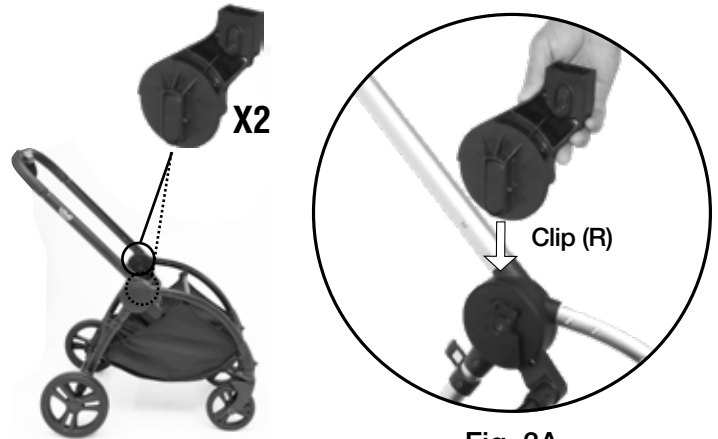


Fig. 3

Fig. 3A

1

## LOCK THE REAR WHEELS

- **To engage brakes**, apply a light downward pressure to the brake lever. Ensure that the brakes have been applied correctly and that the stroller will not move (Fig. 1)



Fig. 2



Fig. 2B

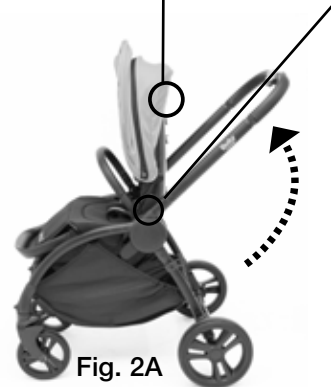


Fig. 2A

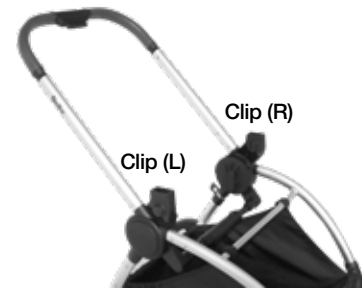


Fig. 2C

2

## REMOVE SEAT

- **To remove seat**: Locate and squeeze the incline release trigger located at the upper back of the seat unit (Fig. 2)
- While squeezing trigger, angle the seat so it is **vertical** (Fig. 2A) and make sure white lines are aligned as shown (Fig. 2B)
- While squeezing release trigger, pull seat away from frame (Fig. 2C)



\*Clips Assembled

3

## INSTALL CLIPS

- **To install clips**: Locate connection points at joint where stroller seat was previously (Fig. 3)
- Align and insert clips in correct **left** and **right** sockets as shown until you hear a "CLICK" (Fig. 3A).



Fig. 4

\*5-in-1 Adapter assembled

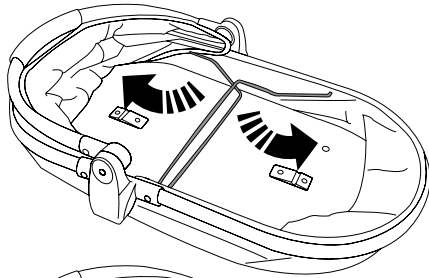
4

## INSTALLING CAR SEAT ADAPTER ON CLIPS

- After clips are securely installed, complete by attaching 5-in-1 adapter (sold separately) to the clips until it "CLICKS" into a fully locked position as shown (Fig. 4).

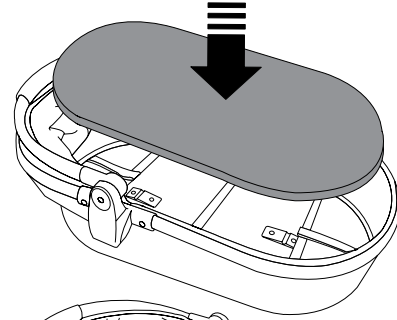
# ASSEMBLING CARRIAGE

(NOTE: STYLE A1903 CARRIAGE SOLD SEPARATELY ON [WWW.DELTACHILDREN.COM](http://WWW.DELTACHILDREN.COM))



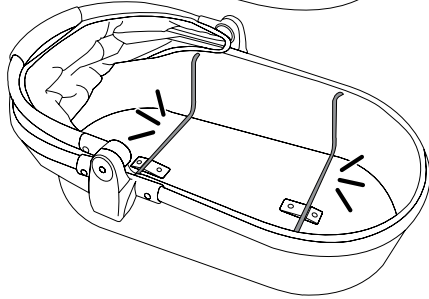
1

Opening Carriage



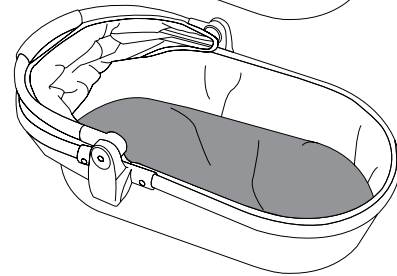
3

Inserting Mattress Pad



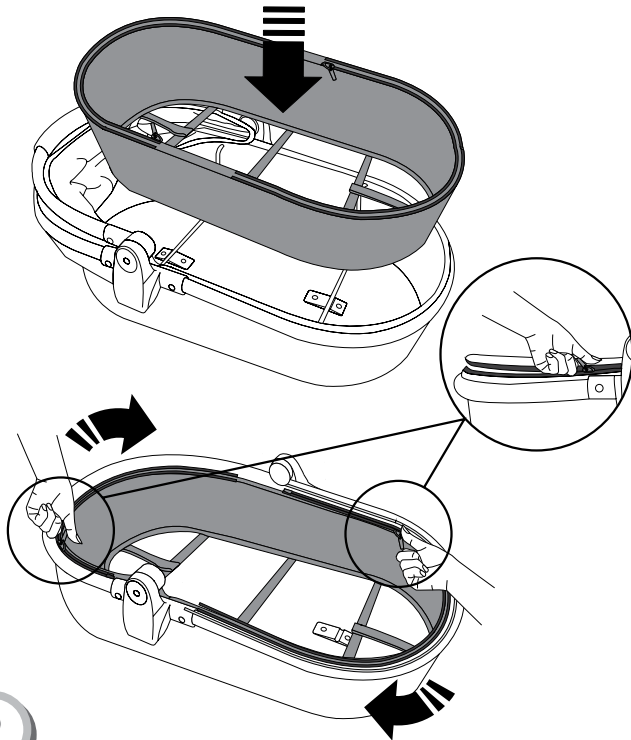
2

Attaching Liner



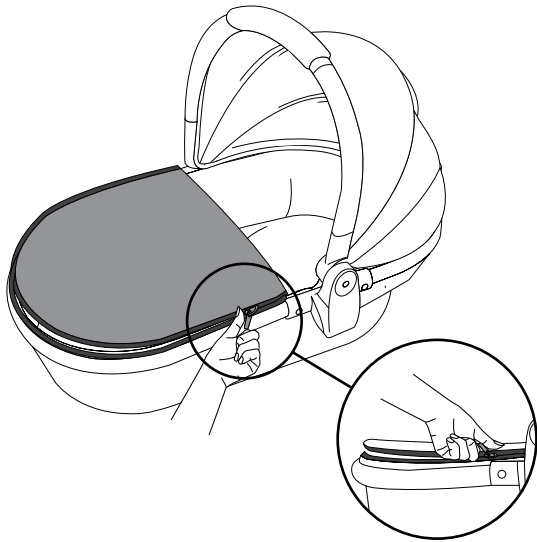
4

Opening Canopy



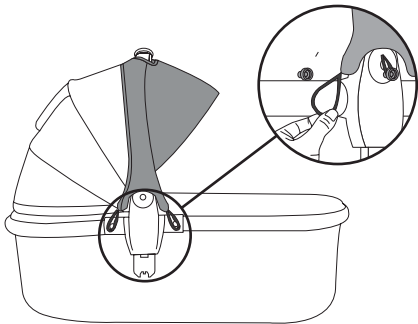
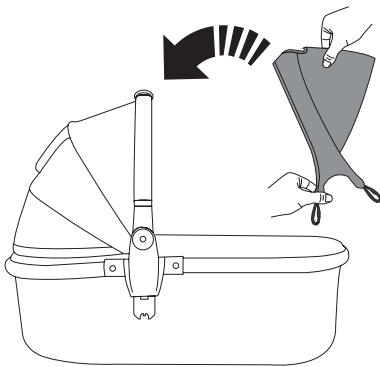
# ASSEMBLING CARRIAGE

(NOTE: STYLE A1903 CARRIAGE SOLD SEPARATELY ON WWW.DELTACHILDREN.COM)



5

Attaching Top Foot Cover



6

Attaching Sunshade

# ASSEMBLING CARRIAGE

(NOTE: STYLE A1903 CARRIAGE SOLD SEPARATELY ON WWW.DELTACHILDREN.COM)

## BEFORE YOU START



Fig. 1

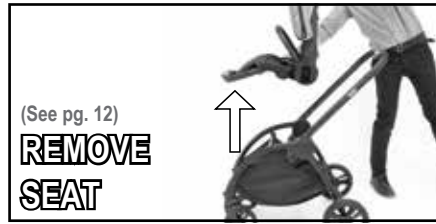


Fig. 1A

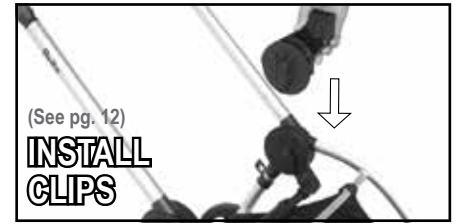
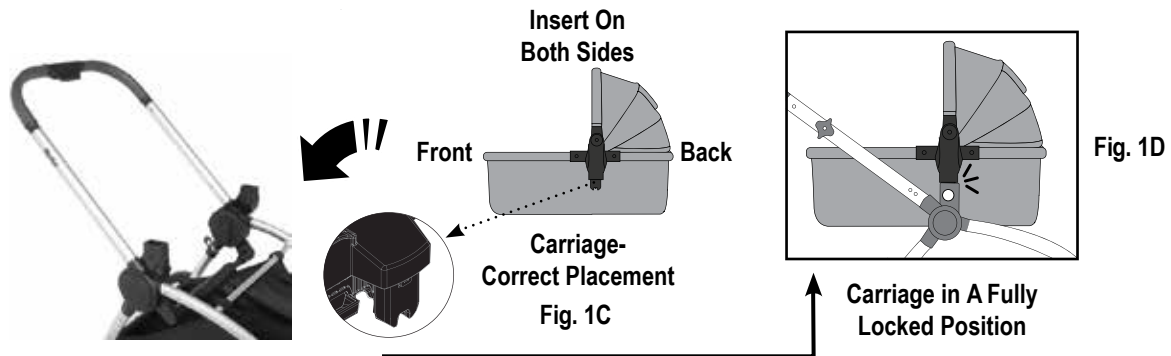
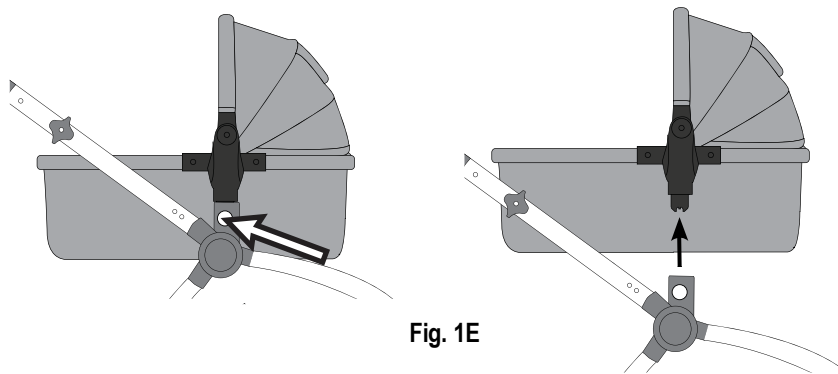


Fig. 1B

### Attaching Carriage



### Removing Carriage



1

#### Attaching Carriage:

**BEFORE YOU START:** Lock the rear wheels (Fig. 1). Remove stroller seat (Fig. 1A). Install Clips -- see pg. 12 for full instructions (Fig. 1B). **ATTACHING CARRIAGE:** Attach the carriage to the stroller frame (Fig. 1C) until it clicks into a fully locked position (Fig. 1D). Make sure carriage is fully fastened by pulling upward.

#### Removing Carriage:

Press both buttons located on both sides of the carriage and lift upward on the adapter until fully removed from stroller. (Fig. 1E)

# ATTACHING CHICCO® CAR SEATS

Chicco® Keyfit 30™

## BEFORE YOU START



Fig. 1

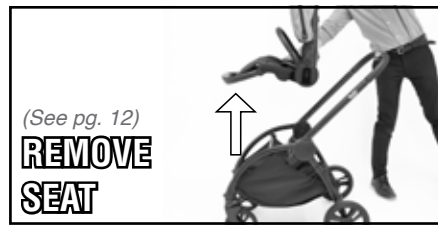


Fig. 1A

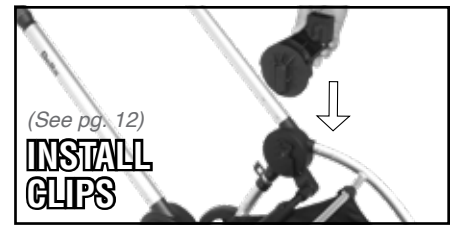


Fig. 1B

### Attaching Car Seat Adapter:

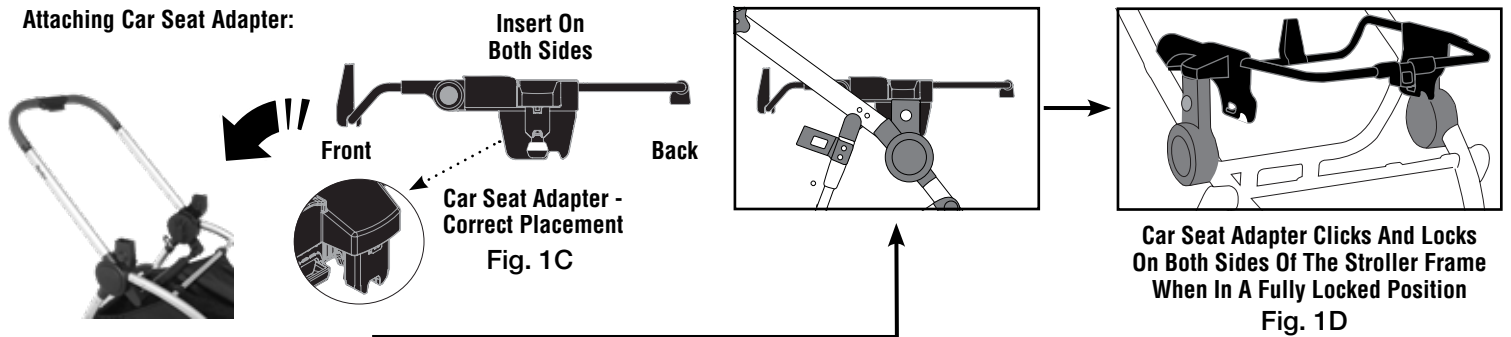
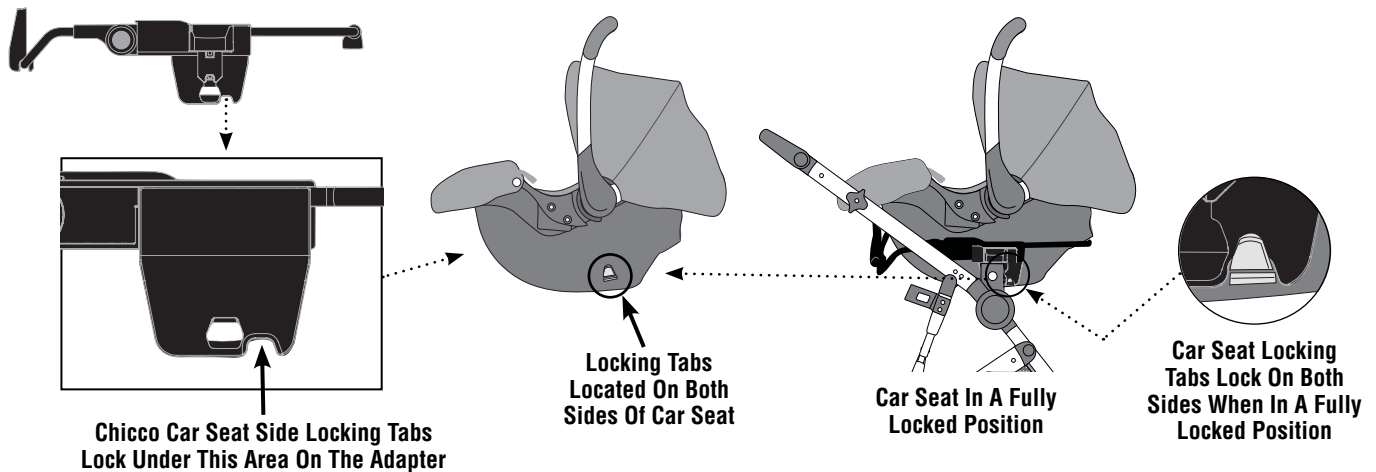


Fig. 1E:

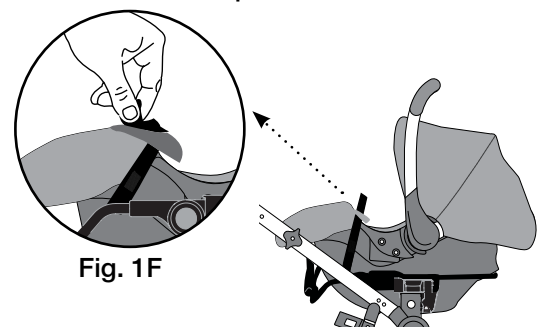


1

### Attaching Chicco® Car Seats - Keyfit 30™:

**BEFORE YOU START:** Lock the rear wheels (Fig. 1). Remove stroller seat (Fig. 1A). Install Clips -- see pg. 12 for full instructions (Fig. 1B).  
**ATTACHING CAR SEAT:** Attach the car seat adapter to the stroller frame (Fig. 1C) until it clicks into a fully locked position (Fig. 1D). Place car seat into car seat adapter until it "CLICKS" into a fully locked position. Chicco car seats "CLICK" and lock on both sides of the adapter when in a fully locked position (Fig. 1E). Make sure car seat is fully fastened by pulling upward.

### Securing Car Seat With Velcro Straps:



### Securing Car Seat With Velcro Straps-

Final step to secure the footrest side of car seat onto stroller, use the straps with velcro to secure seat onto stroller. (Fig. 1F). Check that car seat is securely attached by pulling up on the car seat. To remove, undo latches and unlock car seat from adapter.

**Removing Car Seat -** To remove, squeeze release handle at back of infant restraint and lift upward out of adapter.



# ATTACHING GRACO® CAR SEATS

Graco SnugRide® Click Connect™ 30, 35, and 40

## BEFORE YOU START



Fig. 2

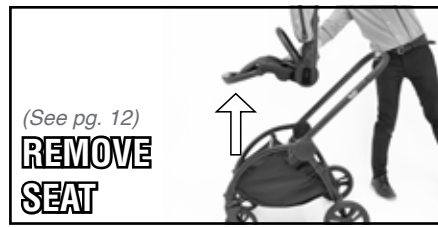


Fig. 2A

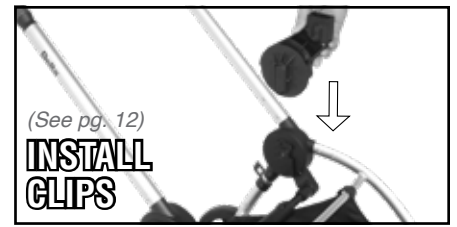
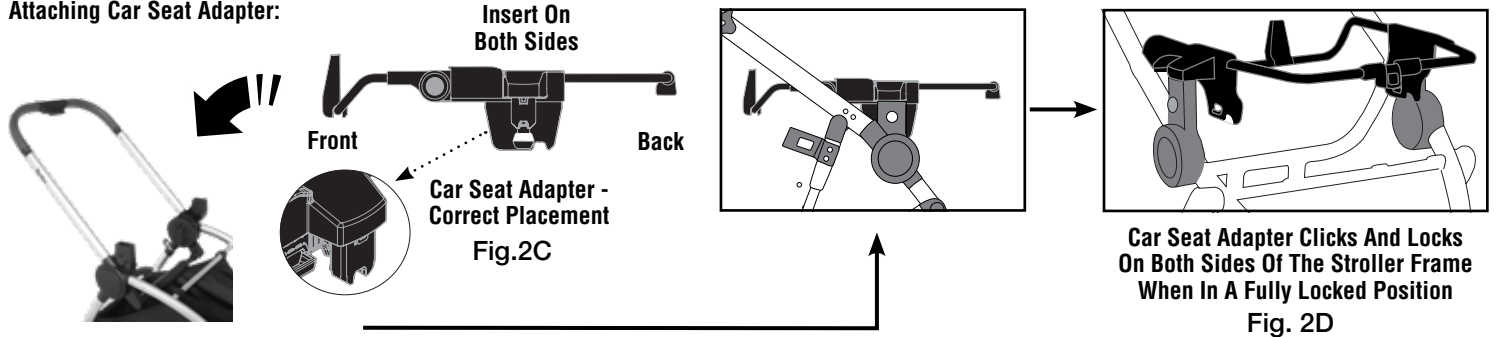


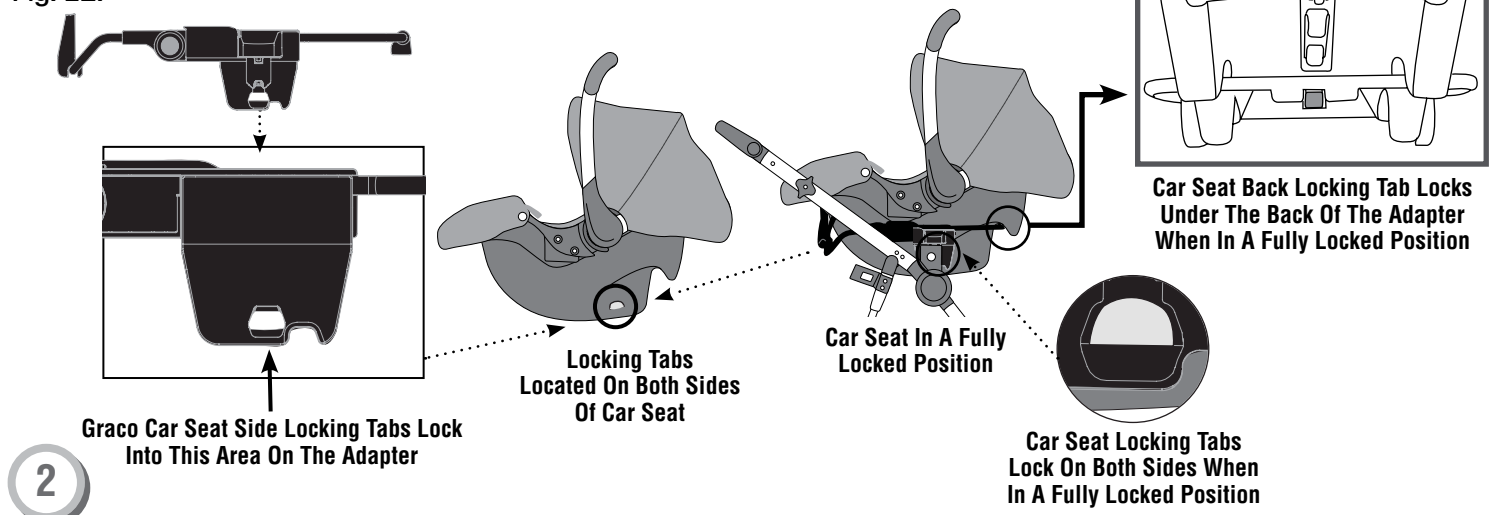
Fig. 2B

### Attaching Car Seat Adapter:



Car Seat Adapter Clicks And Locks On Both Sides Of The Stroller Frame When In A Fully Locked Position  
Fig. 2D

### Fig. 2E:



2

### Attaching Graco® Car Seats- SnugRide® Click Connect™ 30, 35 and 40:

**BEFORE YOU START:** Lock the rear wheels (Fig. 2). Remove stroller seat (Fig. 2A). Install Clips -- see pg. 12 for full instructions (Fig. 2B).  
**ATTACHING CAR SEAT:** Attach the car seat adapter to the stroller frame (Fig. 2C) until it clicks into a fully locked position (Fig. 2D). Place car seat into car seat adapter until it "CLICKS" into a fully locked position. Graco car seats "CLICK" and lock on the back and both sides of the adapter when in a fully locked position (Fig. 2E). Make sure car seat is fully fastened by pulling upward.

### Securing Car Seat With Velcro Straps:

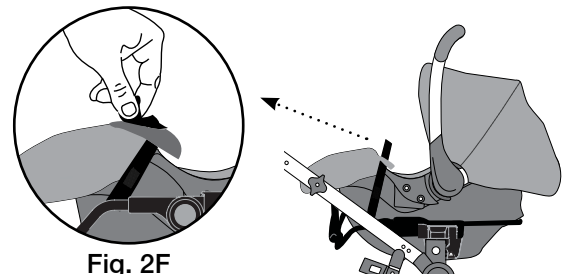


Fig. 2F

### Securing Car Seat With Velcro Straps-

Final step to secure the footrest side of car seat onto stroller, use the straps with velcro to secure seat onto stroller. (Fig. 2F). Check that car seat is securely attached by pulling up on the car seat. To remove, undo latches and unlock car seat from adapter.

**Removing Car Seat -** To remove, squeeze release handle at back of infant restraint and lift upward out of adapter.

# ATTACHING EVENFLO® CAR SEATS

Evenflo® Nurture™ and Embrace™

## BEFORE YOU START



Fig. 3

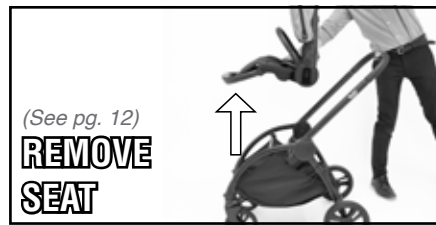


Fig. 3A

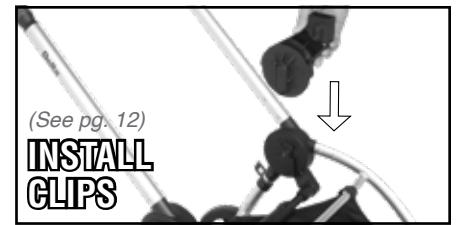


Fig. 3B

### Attaching Car Seat Adapter:

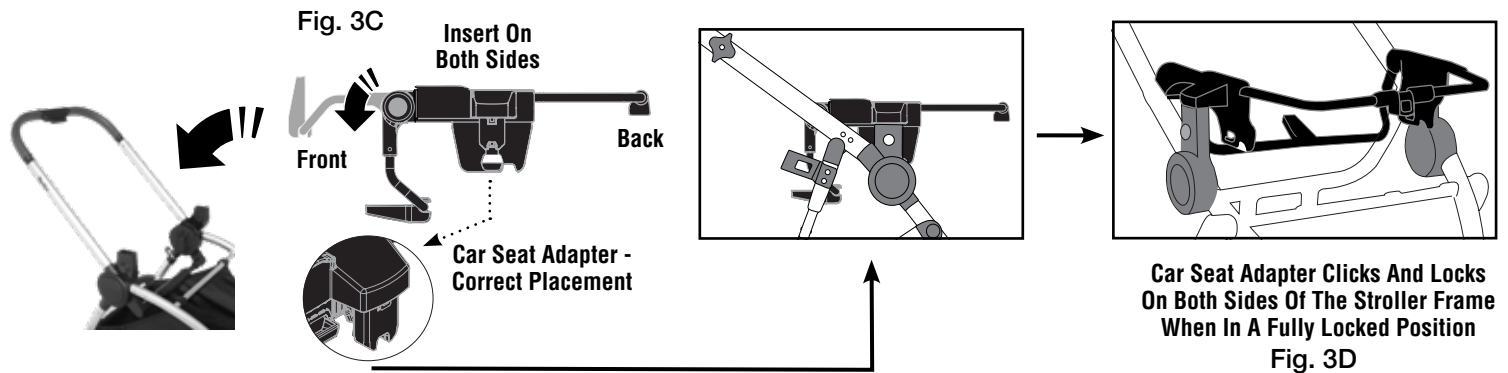
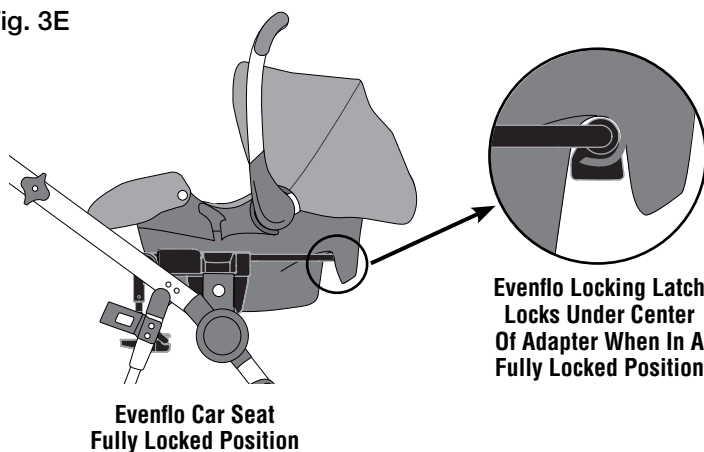


Fig. 3E



Evenflo Car Seat Fully Locked Position

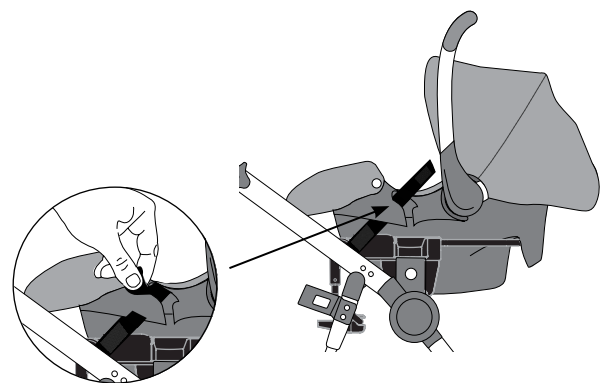


Fig. 3F

3

### Attaching Evenflo® Car Seats - Evenflo® Nurture™ and Embrace™.

**BEFORE YOU START:** Lock the rear wheels (Fig. 3). Remove stroller seat (Fig. 3A). Install Clips -- see pg. 12 for full instructions (Fig. 3B). **ATTACHING CAR SEAT:** Attach the car seat adapter to the stroller frame (Fig. 3C) until it clicks into a fully locked position (Fig. 3D). Place car seat into car seat adapter until it "CLICKS" into a fully locked position. Evenflo car seats "CLICK" and lock on the back of the adapter when in a fully locked position (Fig. 3E). Make sure car seat is fully fastened by pulling upward.

### Securing Car Seat With Velcro Straps-

Final step to secure the footrest side of car seat onto stroller, use the straps with velcro to secure seat onto stroller. (Fig. 3F). Check that car seat is securely attached by pulling up on the car seat. To remove, undo latches and unlock car seat from adapter.

**Removing Car Seat -** To remove, squeeze release handle at back of infant restraint and lift upward out of adapter.

# ATTACHING BRITAX® CAR SEATS

Britax® B-Safe 35™

## BEFORE YOU START



Fig. 4

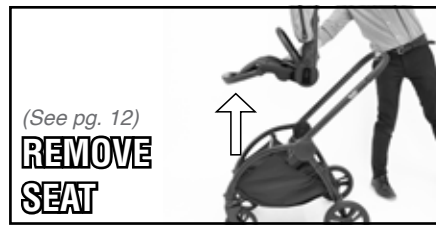


Fig. 4A

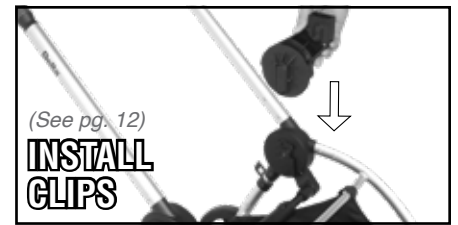


Fig. 4B

### Attaching Car Seat Adapter:

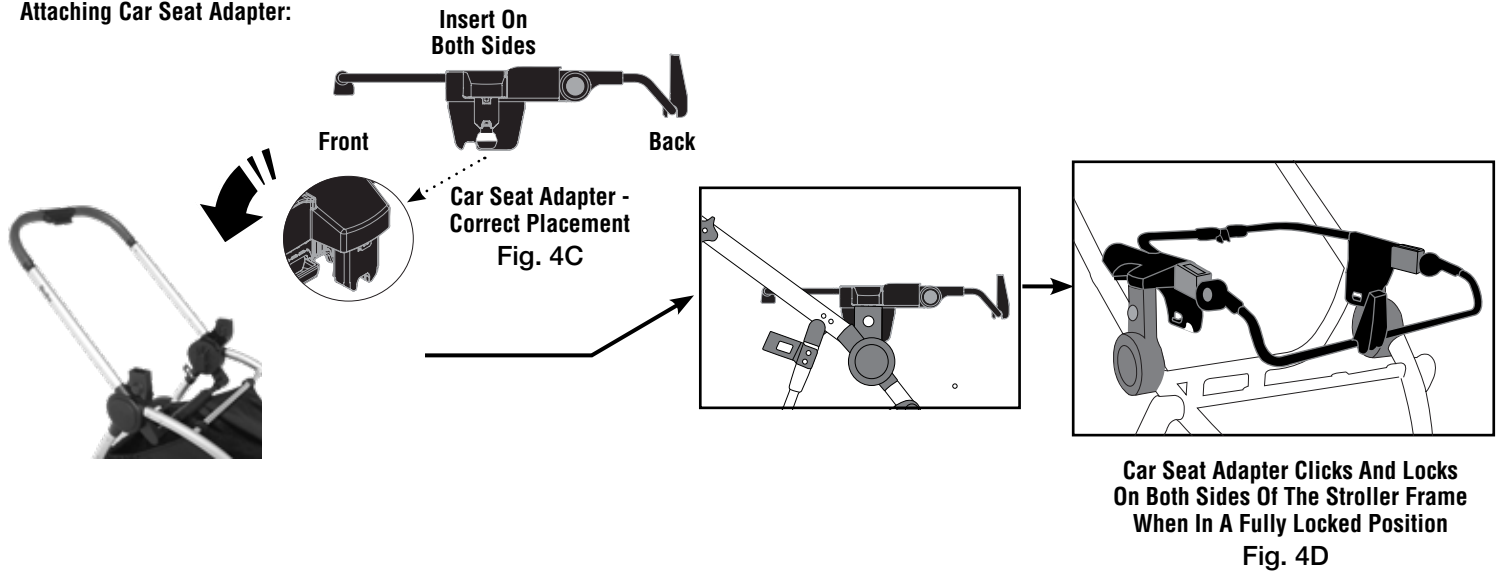


Fig. 4E:

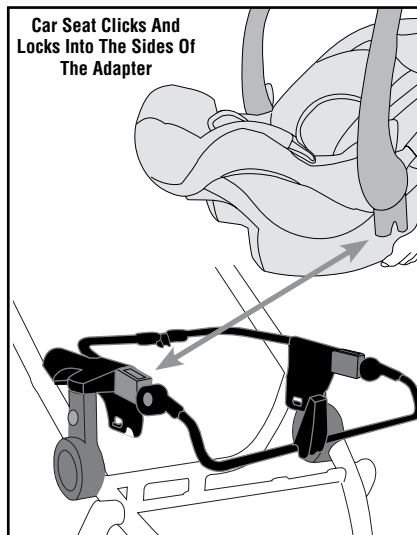
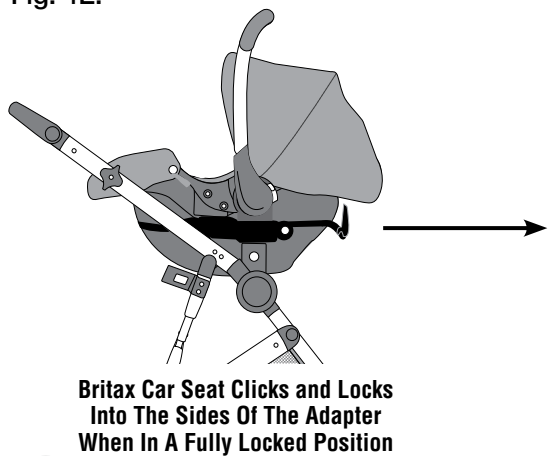
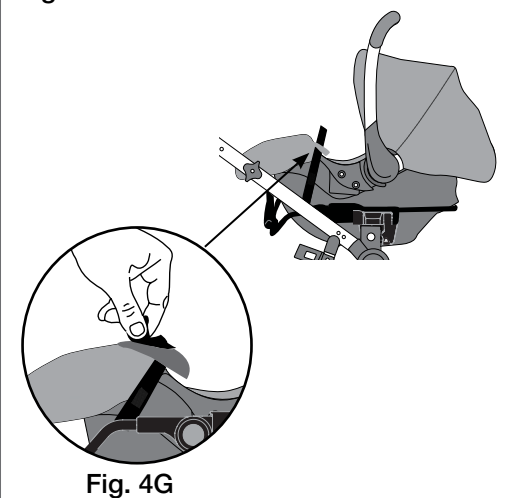


Fig. 4F:



### Attaching Britax® Car Seats - B-Safe 35™ -

**BEFORE YOU START:** Lock the rear wheels (Fig. 4). Remove stroller seat (Fig. 4A). Install Clips -- see pg. 12 for full instructions (Fig. 4B).  
**ATTACHING CAR SEAT:** Attach car seat adapter to the stroller frame (Fig. 4C) until it clicks into a fully locked position (Fig. 4D). Place car seat into car seat adapter until it "CLICKS" into a fully locked position. Britax car seats "CLICK" and lock on the both sides of the adapter (Fig. 4E). Make sure car seat is fully fastened by pulling upward.

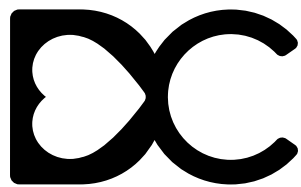
### Securing Car Seats With Velcro Straps-

Final step to secure the footrest side of car seat onto stroller, use the straps with velcro to secure seat onto stroller. (Fig. 4F). Check that car seat is securely attached by pulling up on the car seat. To remove, undo latches and unlock car seat from adapter (Fig. 4G).

**Removing Car Seat -** To remove, squeeze release handle at back of infant restraint and lift upward out of adapter.







DELTACHILDREN

**Delta Children's Products Corp.**

114 West 26<sup>th</sup> Street  
New York, NY 10001  
gcs@DeltaChildren.com  
www.DeltaChildren.com