

SIDE X SIDE DESTINATION STROLLER

Jeep®

INSTRUCTION MANUAL

11508

ADULT ASSEMBLY REQUIRED
STYLES AND COLORS MAY VARY



**⚠ WARNING:
CHOKING HAZARD**

Adult assembly required because of small parts. Keep assembly parts out of reach of children under 3 years.

Read all instructions BEFORE assembly and USE of product
KEEP INSTRUCTIONS FOR FUTURE USE.

Customer Experience Center
phone: (646) 435-8726
email: gcs@DeltaChildren.com



DELTA CHILDREN

www.DeltaChildren.com

DCP-IM-20200618

WARNING

WARNING: Please follow all of these instructions to ensure the safety of your child.

Keep these instructions for future reference.

WARNING: Failure to follow these instructions could result in serious injury or death.

- Avoid serious injury from falling or sliding out. **ALWAYS** insure that the child is properly positioned by using the safety harness according to these instructions. **ONLY** children who have developed enough upper body control to sit without leaning forward can use the front seat in the upright position.
- **NEVER** leave children unattended.

WARNING: CHOKING HAZARD Adult assembly required because of small parts. Keep (assembly parts) out of reach of children under 3 years.

CAUTION: Purses, shopping bags, parcels, diaper bags or accessory items may change the balance of the stroller and cause hazardous unstable conditions.

TO PREVENT INJURY

- Make sure all body parts are clear of the stroller when folding and unfolding.
- The maximum weight that can be carried in the lower basket, and child tray, each is 3 lbs (1.36 kg). Excessive weight may cause a hazardous unstable condition to exist.
- Before allowing the children near the stroller, be certain the stroller is fully erect and latched in the open locked position.
- Use of the stroller with children weighing more than 50 pounds (22.62 kg) per seat or over 42 inches (106.7 cm) tall, may cause a hazardous unstable condition to the stroller.
- **NEVER** use the stroller on stairways or escalators.
- **NEVER** allow your stroller to be used as a toy.
- **NEVER** use the stroller in conjunction with bicycles, skateboards, roller skates, or in-line skates. Please discuss using the jogging stroller with your health care provider prior to jogging use. We recommend that the child occupant needs to be 6 months of age, at the minimum, before use of the stroller.

Product features and decorations may vary from the photo.

CARE AND MAINTENANCE

- To clean the plastic parts on stroller use a mild cleaning solution with warm water on a sponge or damp cloth. Hand wash fabric with damp cloth and air dry. Do not use bleach.
- To keep your stroller wheels from squeaking, use silicone or graphite based lubricant.
- Check your stroller for loose screws, worn parts, torn material or stitching on a regular basis. Replace or repair parts as needed, discontinue use of stroller if it should become damaged or malfunctions.



Before returning this product to the store! Let's see if we can assist you!

- **Not sure how to assemble our product?**

Visit our site for easy to follow instructions along with some Tricks and Tips assembly videos <https://www.deltachildren.com/pages/instructions>

- **If you are missing a piece or have a damaged part**

Please contact our Consumer Experience Center for assistance at 646-435-8726 or email gcs@DeltaChildren.com. To better assist you please have your Style# or Model# and Lot# available. This can be found on a white rectangular sticker on your product, on the registration card, and on the product's box.

- **In the event we do not have a replacement part available**

You may need to return your product to the retailer for an exchange or refund.

- **Warranty**

In order to protect your investment, don't forget to register your product. You may also wish to consider purchasing our extended warranty.

Visit <https://www.deltachildren.com/pages/extended-warranty> for more details.

- **Please note:**

“All Final”, “As Is” or Third Party/Liquidator sales are not covered under our Limited Manufacturer Warranty.

DELTA CHILDREN

LIMITED MANUFACTURER WARRANTY

This Delta product is warranted to be free from defects for a period of 90 days from the date of purchase under normal use. If a product is defective during this period, we will at our option repair or replace the defective part or product. This limited warranty extends only to the original retail purchaser and is valid only when supplied with proof of purchase, or if received as a gift, when the registration is on file with Delta.

This limited warranty does not cover the following:

- Products purchased as floor models or samples.
- Items purchased on an “as-is” basis, as a second hand product, or as a resale product.
- Items purchased at a Final sale, a “Going out of Business” sale, or a Liquidation sale. This limited warranty gives you specific legal rights and you may also have other rights which vary from state to state.

This limited warranty gives you specific legal rights and you may also have other rights which vary from state to state.

TO REGISTER YOUR PRODUCT for important safety alerts and updates to your product please visit www.deltachildren.com

TO REPORT A PROBLEM, please log on to www.deltachildren.com and click the Consumer Care Tab, or contact us by phone at (646) 435-8726

Date of Purchase: _____ (you should also keep your receipt)

EXTENDED WARRANTY

DON'T MISS YOUR CHANCE TO BE COVERED FOR ALL OF LIFE'S MISHAPS!

With Delta's Extended Warranty, you're covered for mechanical failure from normal use or if your item stops working due to normal wear and tear, plus all those unexpected surprises.

2 YEARS OF PROTECTION

For Additional Information:

Simply visit our Website, register your product, and add the Extended Warranty

<https://www.deltachildren.com/pages/product-registration>

Extended Warranty only available in the following States: Arkansas, Colorado, Delaware, District of Columbia, Georgia, Idaho, Illinois, Indiana, Iowa, Kansas, Kentucky, Louisiana, Maryland, Michigan, Mississippi, Missouri, Nebraska, Nevada, New Hampshire, New York, North Carolina, North Dakota, Pennsylvania, Rhode Island, South Dakota, Tennessee, Utah, West Virginia

Parts

IMPORTANT! Please remove all parts from the package and identify them before assembly.

IMPORTANT! Before assembly and each use, inspect this product for damaged hardware, loose joints, missing parts, or sharp edges. NEVER use if any parts are missing or broken. Contact manufacturer for replacement parts and instructions if needed. Never substitute parts. **IMPORTANT!** Adult assembly is required.



Stroller Frame



Child Bar
Part # 50342



Front Wheels
Part # 50343



Back Rear Wheels
Part # 50344

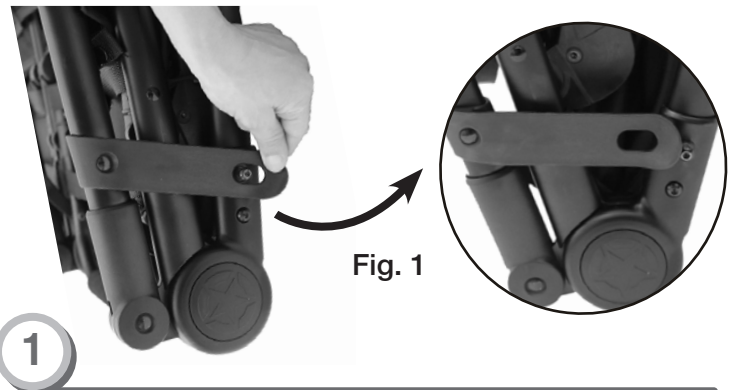


Rear Wheel Axle
Part # 50345

Assembly

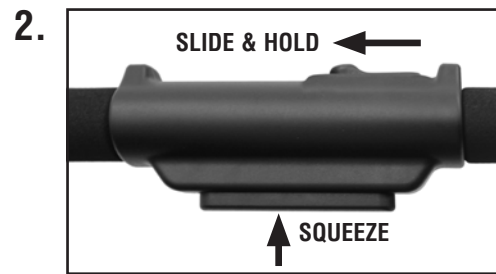
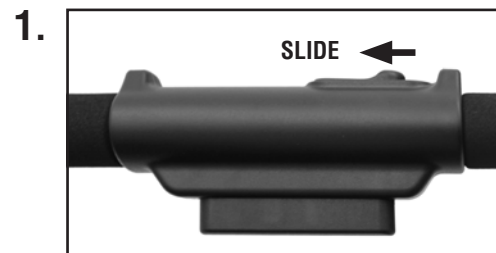
WARNING: Care must be taken when folding and unfolding the stroller to prevent finger entrapment.

Remove stroller from box. The front wheels, rear wheels, child bar and carrying strap need to be installed prior to use.

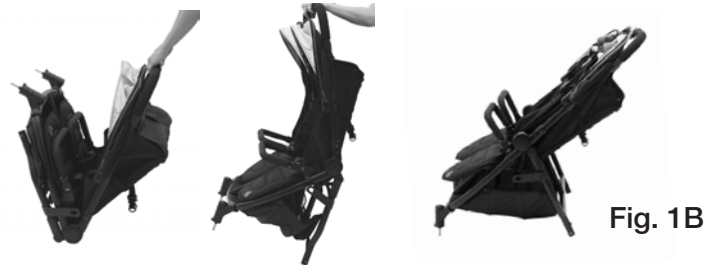


Opening Stroller

- First, release the locking latch clip which is located on the left side of the stroller (Fig. 1).



Lift Upward To Release
Fig. 1A



- Second, open the stroller.
A dual action is needed to open the stroller (Fig.1A).
Action 1: Slide from right to left the unlock tab with your thumb and hold.
Action 2: While squeezing bottom button and holding unlock tab, rotate handle forward into a fully open position (Fig. 1B).
Note: The stroller is in a fully locked position when stroller clicks. Prior to placing your child into the stroller, test to make sure stroller is in a fully opened and locked position.

Assembly

ATTACHING FRONT WHEELS

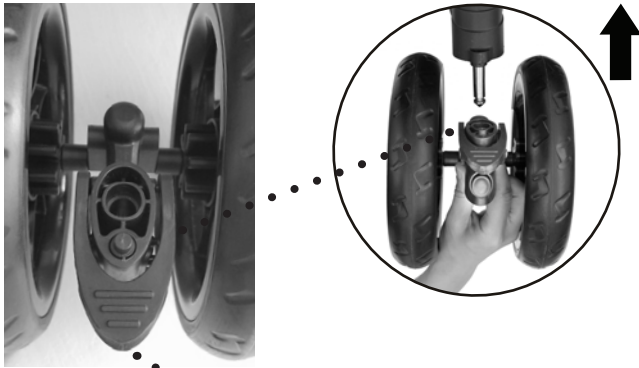


Fig. 2

Lock Swivel Pedal

2

Attaching Front Swivel Wheels

- Locate the legs on the front of the stroller.
- Attach one front swivel wheel to the stroller frame leg making sure the lock pedal on the wheel is facing up (Fig. 2). You will hear a “snap” once they are in a fully locked position. Check to make sure the front swivel wheel is fully secure by pulling downward.
- Repeat on opposite side.



Fig. 2B

To Lock Swivel
Press Downward On Lever



Fig. 2C

To Unlock Swivel
Push Upward Under Lever

Front Wheel Swivel Lock

- To lock swivel: Apply light downward pressure on the swivel lever located on the front of the wheel (Fig. 2).
- To release swivel: Gently lift upward under the swivel lever located on the front of the wheel (Fig. 2C).

DETTACHING FRONT WHEELS

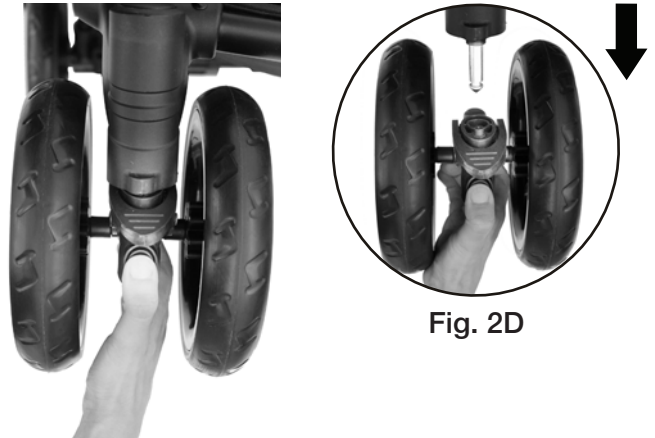


Fig. 2D

- To detach wheels: Press the wheel release button located at the bottom of the wheel housing underneath the swivel lock and pull downward to release (Fig. 2D).
- Repeat on opposite side.

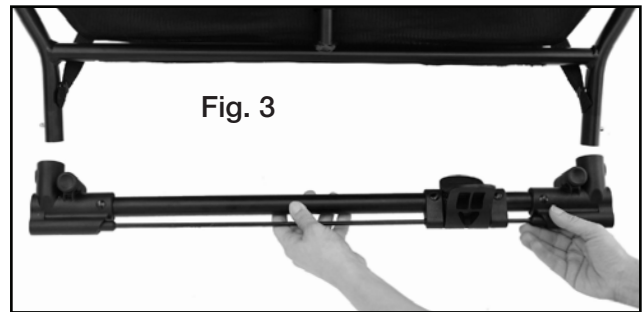


Fig. 3

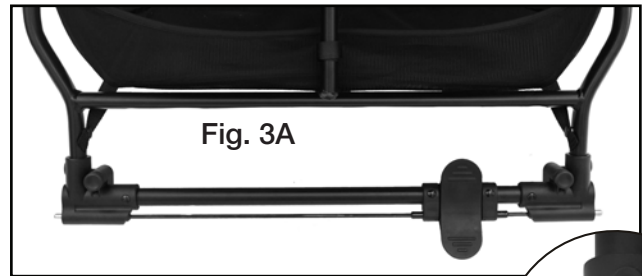


Fig. 3A

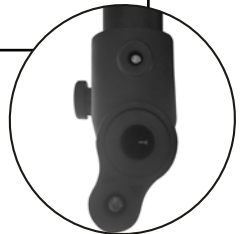


Fig. 3B

3

Attaching Rear Wheel Axle

Please follow these instructions for the proper installation of your rear axle assembly.

- To attach rear wheel axle: Attach the rear wheel assembly, line up the frame tubes with the rear wheel back leg housing with the brake pedal facing outward of the stroller (Fig. 3). Push both housings onto the rear frame tubes at the same time until they “CLICK” into a fully locked position (Fig. 3A). Check that the push buttons show through the small hole near the bottom of the inside housing (Fig 3B). Make sure the axle is firmly attached to the stroller by pulling downward on the rear wheel axle.

Assembly

BACK WHEELS

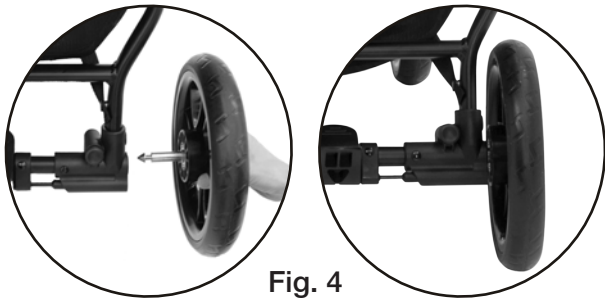


Fig. 4



Fig. 4A

4

Attaching Back Wheels To Wheel Axle:

Please follow these instructions for the proper installation of your rear axle assembly.

- To attach rear wheels: Align back wheel axle to the stroller's rear wheel axle housing (Fig.4) Push back wheel axle until you hear a "CLICK". Repeat steps for other side back wheel. Once the wheels are securely attached to the rear wheel axle (Fig. 4A) check to make sure back wheel is in a fully locked position by pulling outward.

NEVER use stroller if any wheels are not in a fully locked position. Please contact our customer server department immediately at 1-800-377-3777 for assistance.



Fig. 4B

- To dettach rear wheels: Press the wheel release button located on the sides of the wheel axle and pull outward until wheel is released (Fig. 4B).
- Repeat on opposite side.

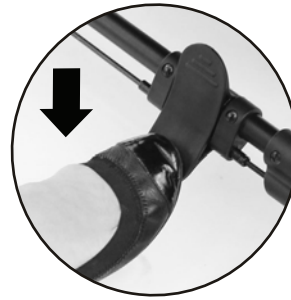


Fig. 4C
To Lock
Press Downward



Fig. 4D
To Unlock
Push Upward

WARNING: Always set brakes when the stroller is not being pushed so that the stroller will not roll away. Never leave stroller unattended on a hill or incline as the stroller may slide down the hill.

Back Wheel Brakes

- To lock brakes: Apply light downward pressure to the linked brake lever located on the rear wheel axle. (Fig. 4C) Check that the stroller will not move and that the brakes are properly applied.
- To release brakes: Gently step on top of the linked brake lever and push downward. (Fig. 4D)

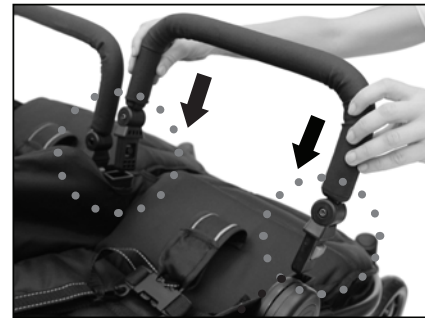


Fig. 5



Fig. 5A

5

Attaching / Removing Child Bar

To Attach Child Bar:

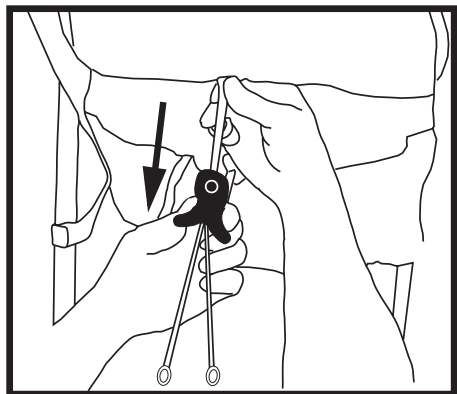
- Insert both sides of the child bar into the bottom of the child posts until child bar "CLICKS" into a fully locked position (Fig. 5). Repeat on other side.

Note: Pull upward on the child bar to ensure that the child bar is securely locked.

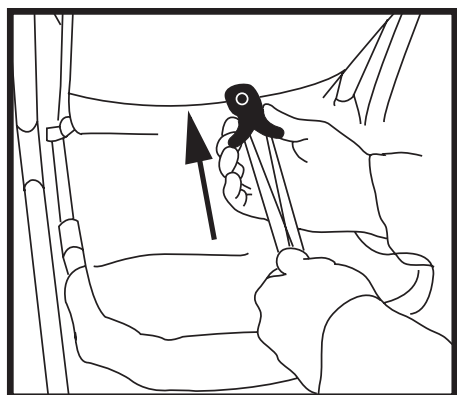
To Remove Child Bar:

- Press tabs inward located on both sides of the child bar and lift upward until child bar is fully removed (Fig. 5A).

Set Up and Use



RECLINE POSITION
Fig. 7



UPRIGHT POSITION
Fig. 7A

7

Seat Back Adjustment

- **Recline Position:** To place seat in a recline position, squeeze both sides on cord housing and pull away (Fig. 7)
- **Upright Position:** To return to an upright position, hold bottom cord loops while squeezing cord housing upwards toward backseat (Fig. 7A)



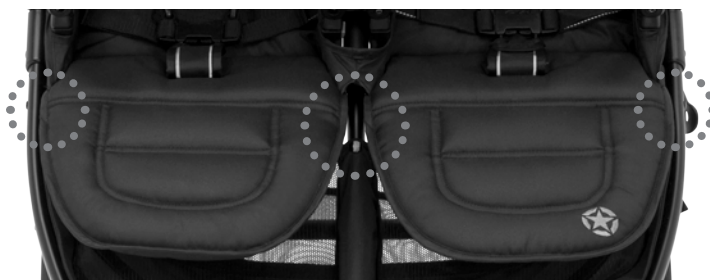
OPEN CANOPY
Fig. 8

CLOSE CANOPY
Fig. 8A

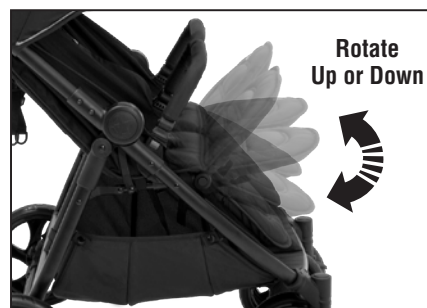
8

Canopy Adjustment

- To open canopy, push forward on the front frame of the canopy (Fig. 8).
- To close canopy, push on the front edge backward until canopy is all the way collapsed (Fig.8A).



ADJUSTABLE FOOTREST
Fig. 9



9

Foot Rest Adjustment

- **To adjust foot rest:** Press both recline buttons located on left/right side of foot rest. While pressing both recline buttons, rotate foot res upward or downward to its desired position until it "CLICKS" into a fully locked position (Fig. 9).

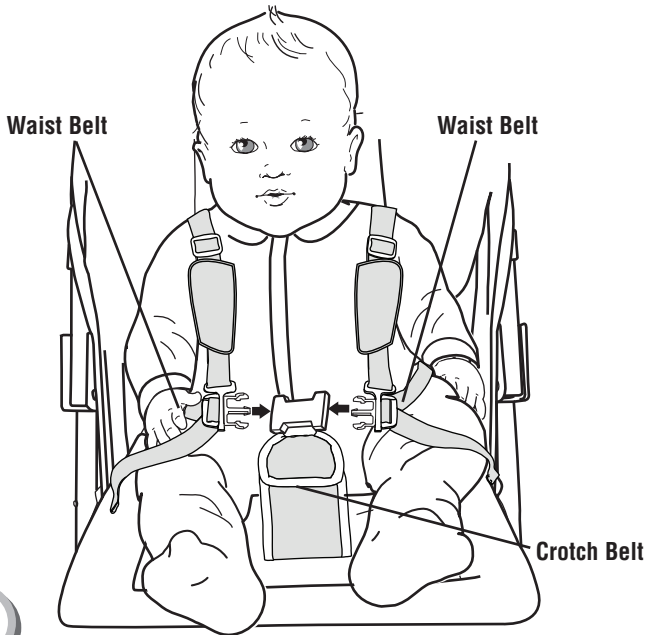
Securing Child

Before Placing your Child in Stroller:

Close Canopy. Press both brake pedals down until they “click” into the locked position.

Make sure the brake pedals are pressed down completely.

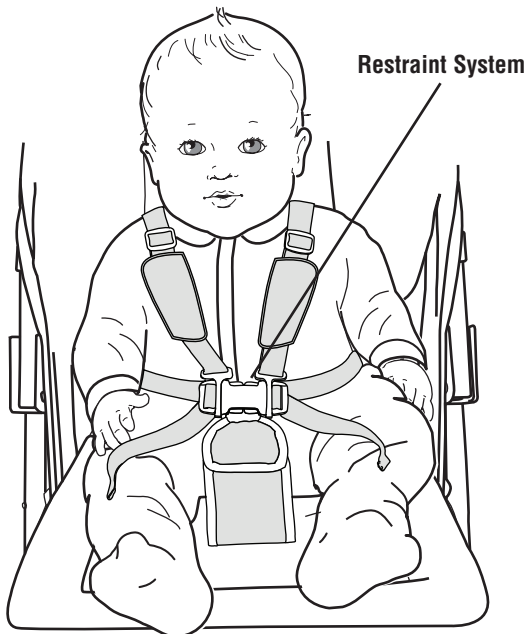
Always set both brake pedals when parking the stroller.



1

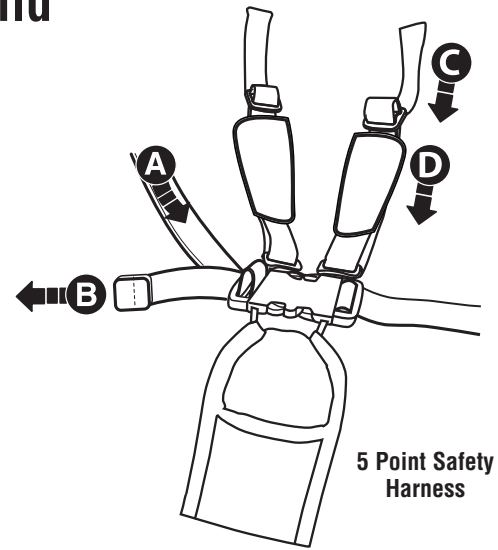
Securing Child

- Place your child in the stroller. Position the crotch belt between your child's legs.
- Pull shoulder straps over child's arm and shoulder and fasten **both** strap ends to the restraint system.
- Fasten **both** waist belts to the buckle on each side of the crotch belt. Make sure you hear a “click” on both sides.
- Check to be sure the restraint system is securely attached by pulling it away from your child. The restraint system should remain attached.



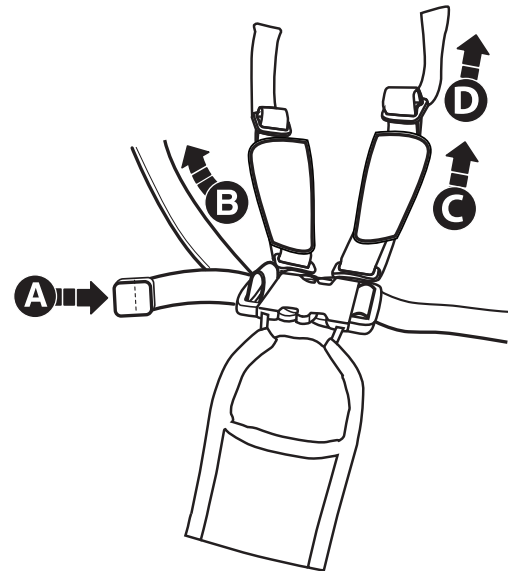
2

- Tighten each waist belt and shoulder strap so that the restraint system is snug against your child.
Please refer to the next section for instructions to tighten the waist belts.



5 Point Safety Harness

TIGHTEN



LOOSEN

3

To tighten the waist belts and shoulder straps:

- Feed the anchored end of a waist belt up through the buckle to form a loop **A**. Pull the free end of the waist belt **B**.
- Repeat this procedure to tighten the other waist belt.
- Feed the top end of the shoulder strap through the plastic stay to form a loop **C**. Pull the bottom end down to tighten the strap **D**.
- Repeat this procedure to tighten the other shoulder strap.

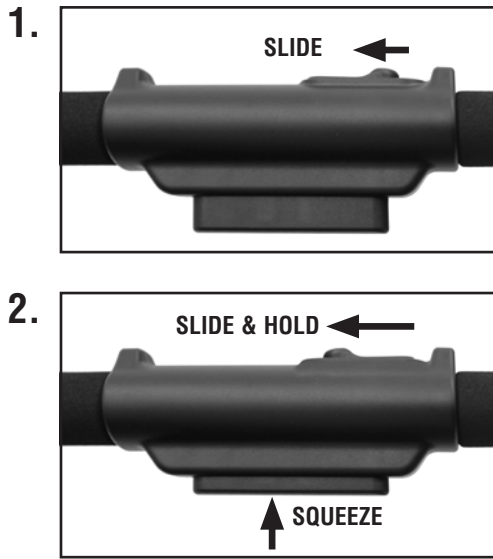
To loosen the waist belts and shoulder straps:

- Feed the free end of the waist belt up through the buckle to form a loop **A**. Enlarge the loop by pulling on the end of the loop toward the buckle. Pull the anchored end of the waist belt to shorten the free end of the waist belt **B**.
- Repeat this procedure to loosen the other waist belt.
- Feed the bottom end of the shoulder strap through the plastic stay to form a loop **C**. Pull the top end up to loosen the strap **D**.
- Repeat this procedure to loosen the other shoulder strap.

Please note: After adjusting the restraint system to fit your child, make sure you pull on it to be sure it is securely fastened.

Fold and Store

Fig. 10



10

Folding Stroller

WARNING: Care must be taken when folding and unfolding the stroller to prevent finger entrapment.

Note: Canopy must be closed.

A dual action is needed to fold the stroller (Fig.10).

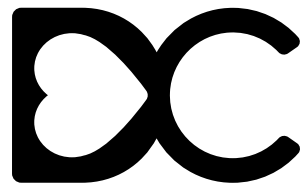
Action 1: Slide from right to left the unlock tab with your thumb and hold.

Action 2: While squeezing bottom button and holding unlock tab, rotate handle forward into a closed position (Fig. 10A).

Note: Press upward on stroller handle to make sure stroller is on a fully closed position. Locking latch will automatically close.



Fig. 10A



DELTACHILDREN

Delta Children's Products Corp.

114 West 26th Street
New York, NY 10001
646-435-8726
www.DeltaChildren.com