

PHILIPS

An engineering marvel
designed to deliver
Philips **GreenPerform Prime**
The power of 150 lumens/watt.



innovation  you

150
lumens/watt

The high performing highbay

GreenPerform Prime is a highbay designed to deliver excellent efficiency and right optics suited for various applications. Offering excellent beam and glare control, this highbay offers an unmatched lighting experience. GreenPerform Prime not only provides assured performance, it is also a stylish fit for any facility.

Applications

Warehouses, manufacturing facilities, sports halls, atriums and airports.



Features and benefits

Energy efficient

- System efficacy is 150 lumens/watt
- Made with state-of-the-art LED technology and specially designed driver to provide maximum efficiency
- 75% energy savings versus conventional HID static light

Designed for eye comfort

- Low lens glare makes it gentle and comfortable to the eyes
- Uniform light distribution allows for constant illumination

Aesthetically designed

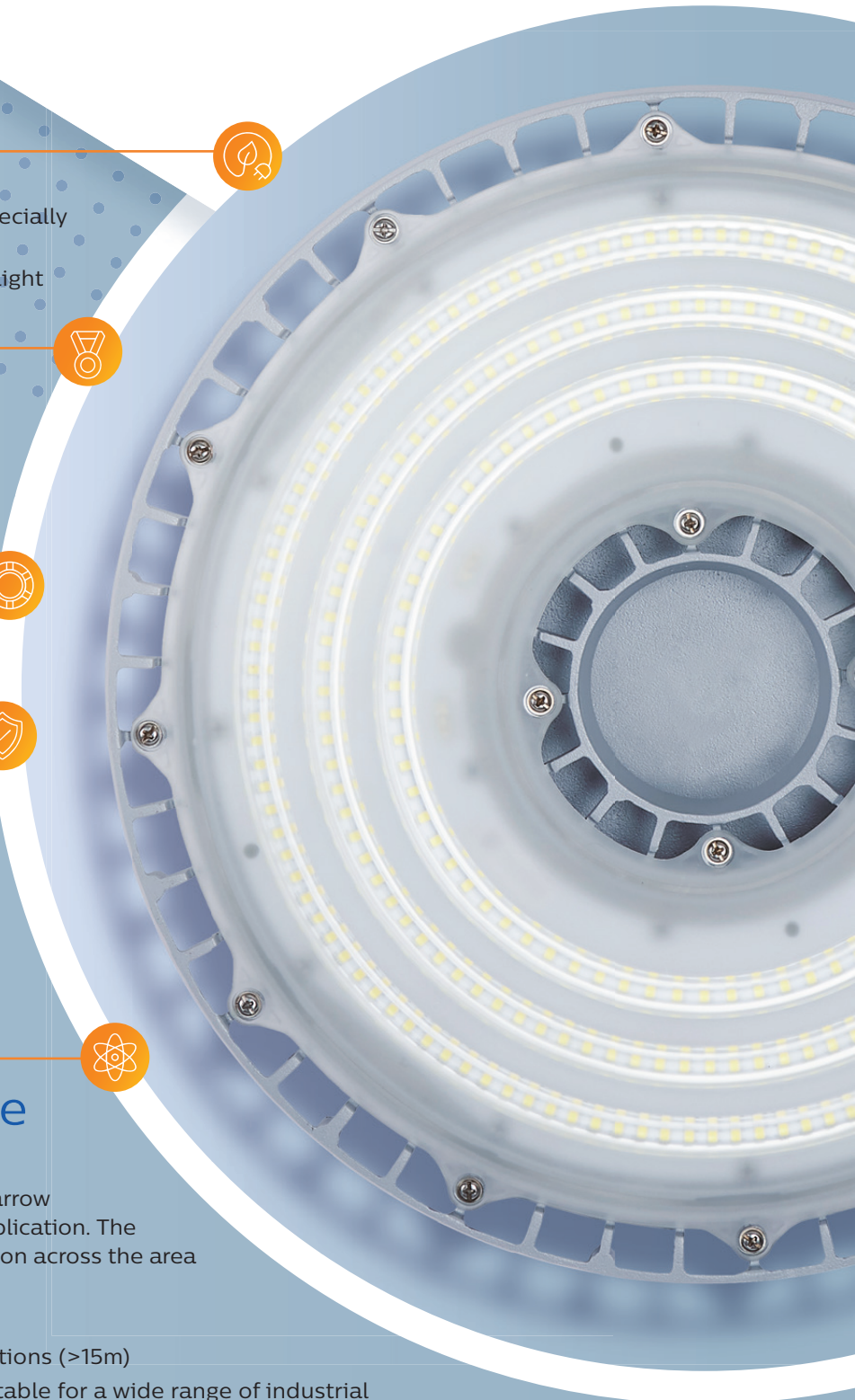
- Completely new aesthetics design

Robust

- Designed for operations under diverse environments ranging from -10°C to 55°C
- IK08 polycarbonate cover provides strong protection under harsh conditions
- Pressure die-cast housing offers excellent corrosion-resistance and robustness
- Efficient heat dissipation assures long time at high temperature application

Versatile, making it suitable for a wide range of applications

- Lens options are available to achieve wide beam, narrow beam and extra narrow beam to suit the specific application. The various options ensure uniform and ample illumination across the area
- Wide beam for low height applications
- Narrow beam for higher height applications
- Extra narrow beams for very high mounting applications ($>15\text{m}$)
- Polycarbonate front cover makes this luminaire suitable for a wide range of industrial and commercial applications including F&B



Thoughtfully designed

Highly robust PDC housing body

- Pressure die-cast housing offers excellent corrosion resistance and robustness
- Fin-structured heat sink and specially designed central air vent for consistent light output
- Excellent thermal management for LED longevity

Highly efficient LED engine and driver

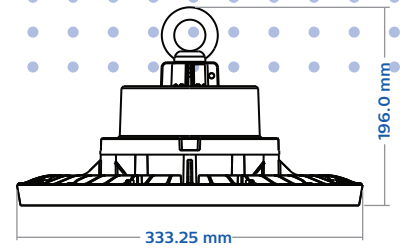
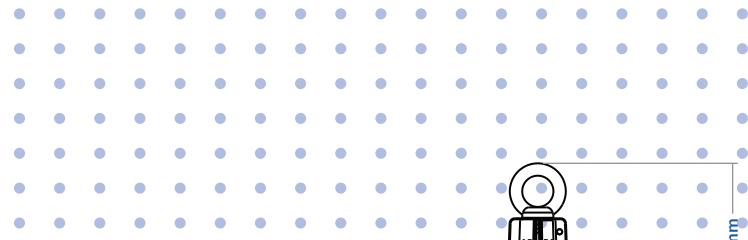
- Specially designed universal driver housing across the range
- High efficacy of 150 lumens/watt with CRI 70
- ETO option with CRI 80 at 135 lumens/watt

Cover

- GreenPerform Prime comes with specially designed optics and IK08 polycarbonate cover

Lens

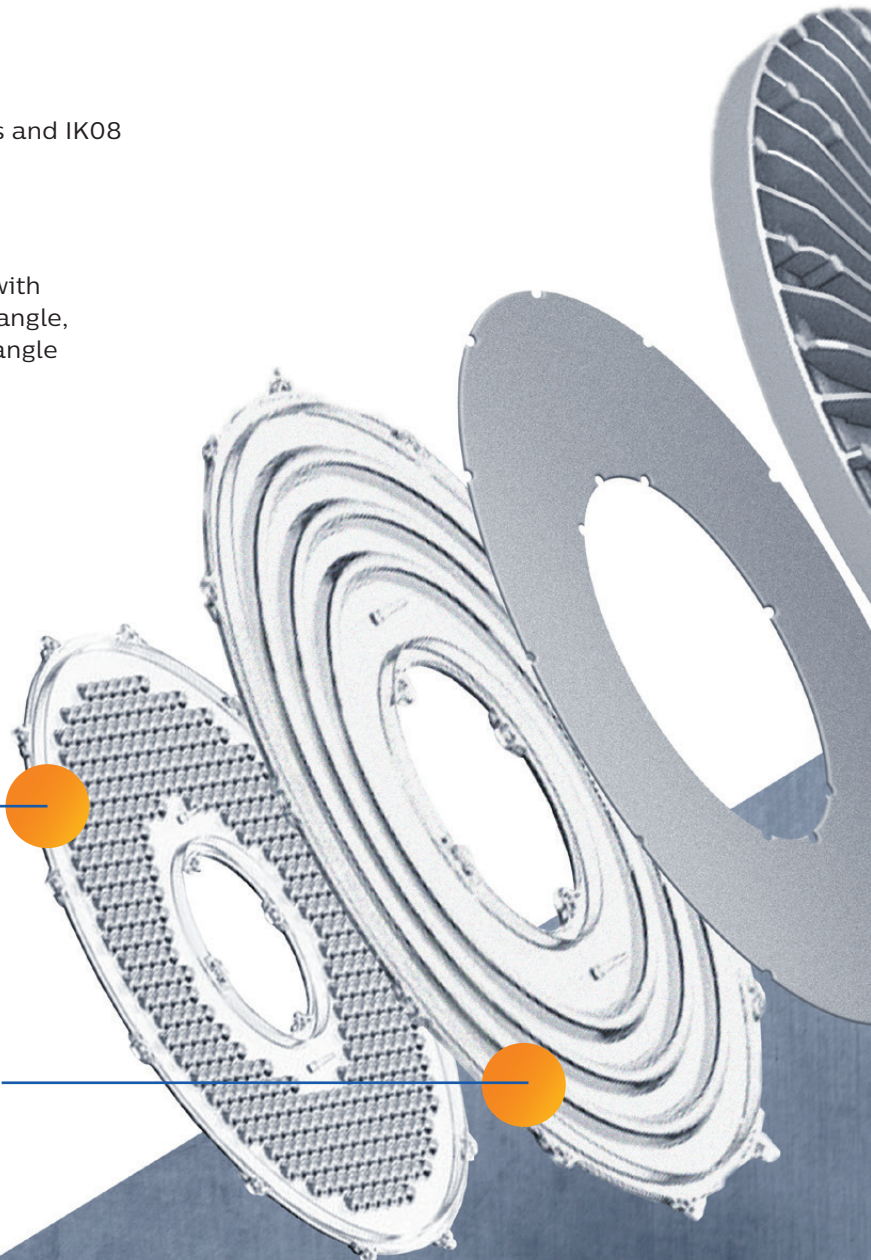
- Keeping in mind various applications the product comes with annular lens construction that delivers 60/90 degree full angle, whereas a collimator lens is provided for a 30 degree full angle

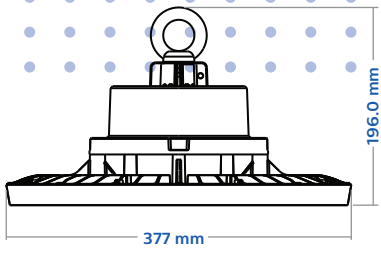


10K & 15K lumens

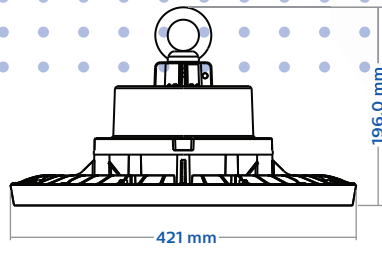
Collimator lens for
30° full angle

Annular lens construction
for 60°/90° full angle



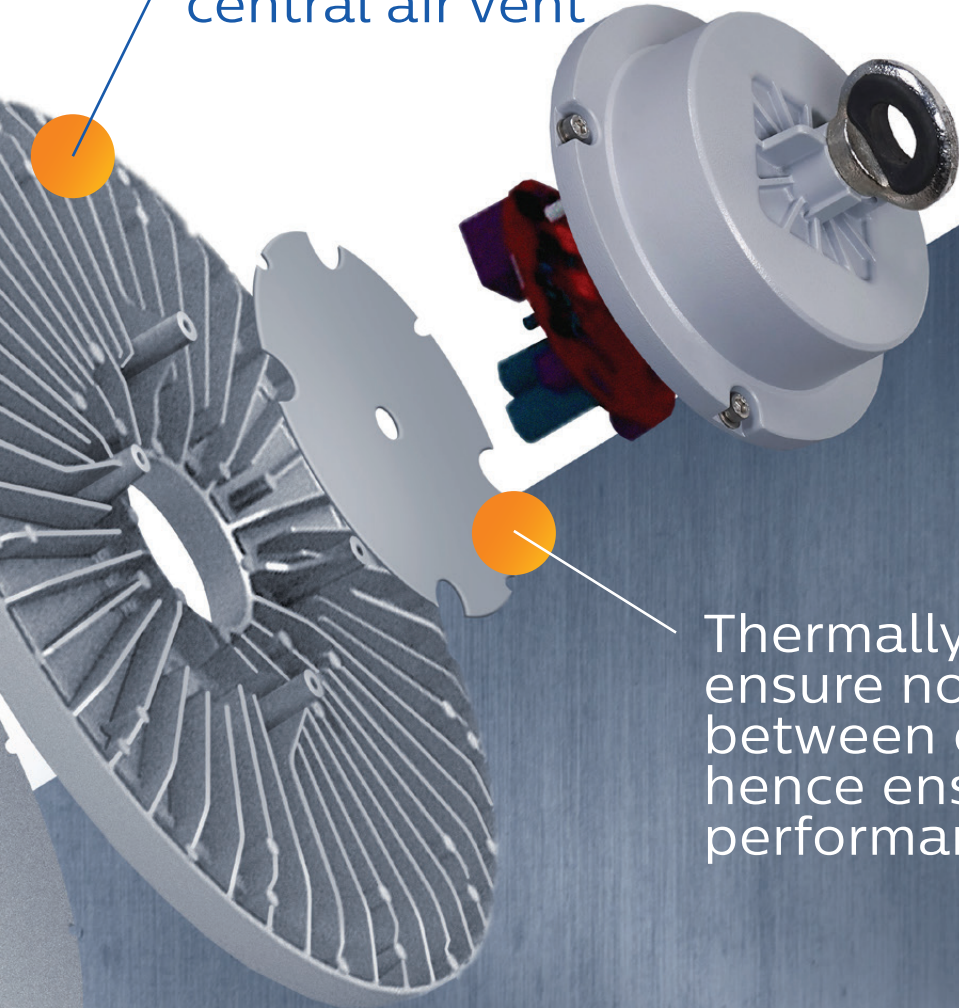
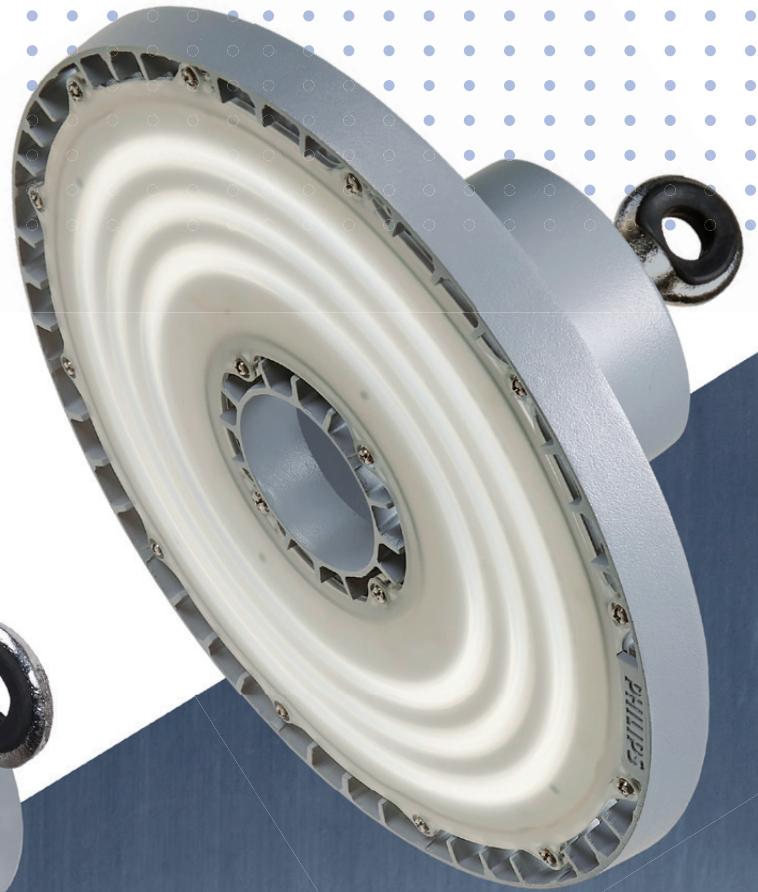


20K lumens



25K lumens

PDC housing with fins and central air vent



Thermally isolated driver to ensure no heat exchange between driver and LED, hence ensuring top-notch performance

Fit for diverse applications



Airport



Factory



Warehouse



Sports hall

Housing optimized for lumen packs



10K & 15K lumens
NB 60° and WB 110°



20K lumens
NB 60°



25K lumens
NB 60° and ENB 30°

Specifications

Model - BY515	LED100	LED150	LED200	LED250
System lumen	10000	15000	20000	25000
System wattage	70	100	135	170
Efficacy	150 lumens/watt			
CCT	5700/4000K			
SDCM	<5			
Optics	NB (60°)/WB (90°)	NB (60°)/WB (90°)	NB (60°)	ENB (30°)/NB (60°)
CRI	≥70			
Mounting options	Eye bolt hook mounting			
Housing type / color	PDC LM6			
IP rating	IP65			
Impact resistance	IK08			
Life span	L70, 50K			
Operating temp.	-10 degrees to 55 degrees			
Design tamb. temp.	45 degrees			
Power factor	>.95			
THD	<10%			
Driver efficiency	90%			
Luminaire insulation and serviceability	Class I / Class B			
Operating voltage	120V - 270V			
Ripple / surge	<10% / 4KV			
Controls	PSU			

Ordering code

12NC	Description	Lumen	CCT
919515814412	BY515P LED100S 5700 NB PSU GR	10000	5700
919515814413	BY515P LED100S 5700 WB PSU GR	10000	5700
919515814414	BY515P LED100S 4000 NB PSU GR	10000	4000
919515814415	BY515P LED100S 4000 WB PSU GR	10000	4000
919515814418	BY515P LED150S 5700 NB PSU GR	15000	5700
919515814419	BY515P LED150S 5700 WB PSU GR	15000	5700
919515814420	BY515P LED150S 4000 NB PSU GR	15000	4000
919515814421	BY515P LED150S 4000 WB PSU GR	15000	4000
919515814445	BY515P LED200S 5700 NB PSU GR	20000	5700
919515814446	BY515P LED200S 4000 NB PSU GR	20000	4000
919515814456	BY515P LED250S 5700 NB PSU GR	25000	5700
919515814458	BY515P LED250S 4000 NB PSU GR	25000	4000
919515814457	BY515P LED250S 5700 ENB PSU GR	25000	5700
919515814459	BY515P LED250S 4000 ENB PSU GR	25000	4000

