

Suits Your body

suit
SUILTS YOUR

BODY

SUIT



Spending five years to develop the Suit chair. Each inch of the Suit chair is designed to instantly sense and respond to every movement of your body. Its modern appearance with sophisticated design brings you a dynamic ergonomic experience.



Tailored to suit your body.

Unique X-shaped backrest frame, inspired by the human back, with high tensile strength and good elasticity.

Comfortable, adjustable lumbar support cradles your back and responds to your body's movement.

Adjustable synchro-tilt mechanism. It provides a comfortable tilt capability and also provides five positions to lock the backrest.



Innovative 3-layer me fabric. Unique honey structured fabric with characteristics of goc elasticity, air permeal and maintenance.

The 4-position depth adjustable seat ensur that the chair fits your body perfectly. Uniq seat frame design improves air ventilati keep your body coo comfortable.



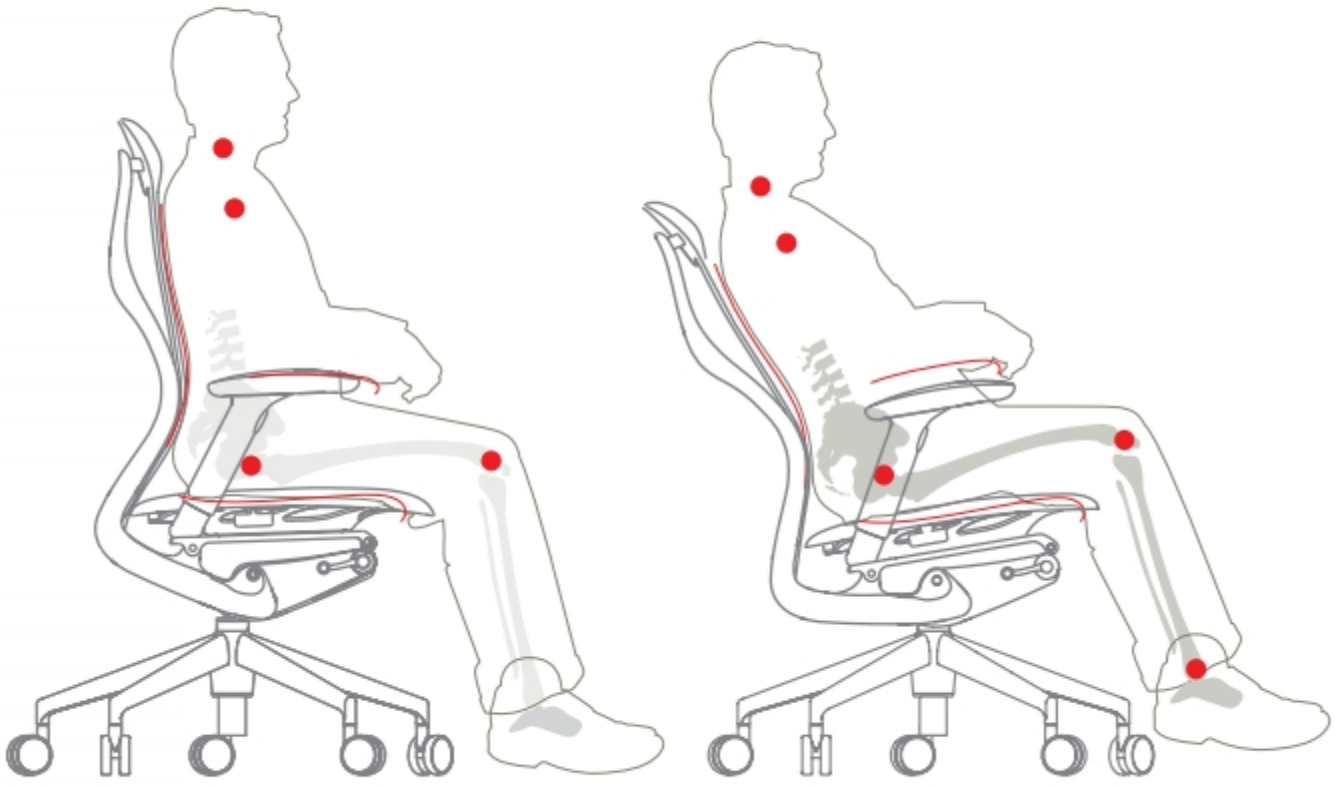
X-shaped spine-protection backrest frame

X-shaped spine-protection backrest:
Inspired by the human back and made of high elastic nylon material, this patented x-shaped backrest frame supports your body as it tilts naturally, so your spine stays aligned and relaxed.



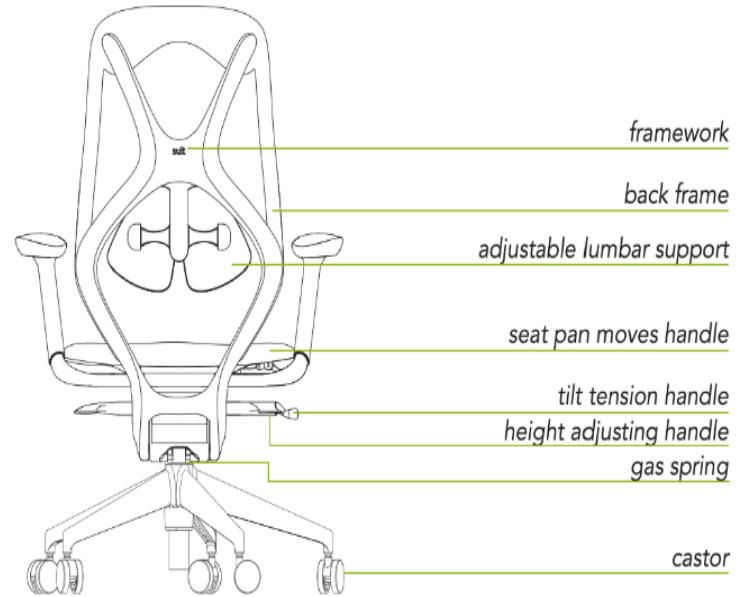
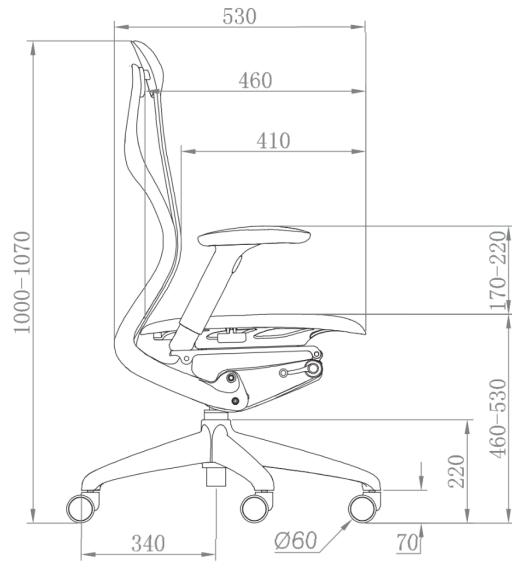
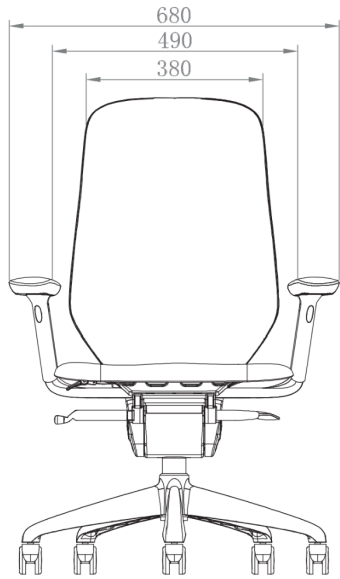
World's leading dynamic ergonomic technology.

'Different Angle Synchronizer' (DAS) mechanism:
The DAS Mechanism provides a big tilt capacity and is specially designed for dynamic ergonomic operation without any restraint.



SPECIFICATION

Mid Back



High Back

