

A **TATA** Product

VOLTAS



NOT JUST ADJUSTABLE,
IT'S **MAHA** ADJUSTABLE.

VOLTAS *maha*
ADJUSTABLE™
/ **INVERTER AC**

VOLTAS MAHA ADJUSTABLE
INVERTER SPLIT AC RANGE **2023**



VOLTAS MAHA ADJUSTABLE INVERTER AC



Leaders in AC Technology

Reasons to choose Voltas Maha Adjustable Inverter AC

Voltas Maha Adjustable Inverter AC has a unique Multi Adjustable Mode which can run on different capacities depending on number of people and ambient weather conditions.



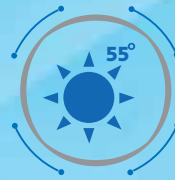
5 STAGE ADJUSTABLE MODE

Runs at five different cooling capacities



SUPERDRY

Quick dehumidification



HIGH AMBIENT COOLING

Keeps you comfortable even at 55°C



ECO-FRIENDLY REFRIGERANT

R32 refrigerant to protect environment



SLEEP MODE

Maintains a comfortable temperature by cutting excessive cooling and power consumption



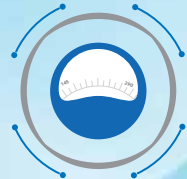
FILTER CLEAN INDICATOR

Indicates when the filter needs to be cleaned



ANTI-MICROBIAL AIR FILTRATION

It kills microbes which include germs, bacteria and fungi



WIDE VOLTAGE RANGE OPERATION

Protects the AC from voltage fluctuation (110V to 285V)



4 WAY SWING

Uniform cooling across intended area



ANTI-CORROSIVE COATING ON EVA (HP SIDE)

Enhances life by preventing corrosion on coil.



SUPER SILENT OPERATION

Low noise operation at low load condition



ICE WASH

Freezes the cooling coil and removes dirt by melting



100% COPPER

More durable

*Features are available in select models only.

Voltas *maha* Adjustable Inverter AC

Presenting the All New Voltas *Maha* Adjustable Inverter AC with unique Multi Adjustable Modes. It can run on multiple tonnages (0.7/1.2/1.5/1.6*), depending on the ambient temperature or the number of people in the room. Hence, it not only keeps you comfortable in different situations, but also saves on your electricity bills.



5 STAGE Adjustable Mode

Saves Power and keeps you comfortable in different conditions

5 Stage Adjustable Mode delivers predefined lower & higher cooling capacity by limiting and exceeding inverter compressor's running frequencies depending on the number of people in the room and ambient weather conditions. It runs on multiple tonnages, optimizing power consumption.





Superdry

Quick Dehumidification

Superdry Mode dehumidifies the room quickly. The AC runs on predefined set temperature and at lower indoor blower speed. This new mode captures the extra water vapour from the air.



Super Silent Operation

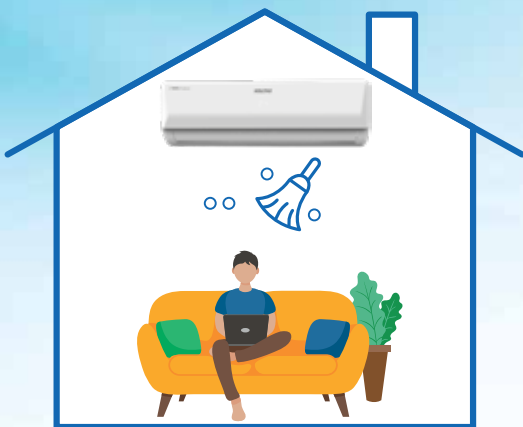
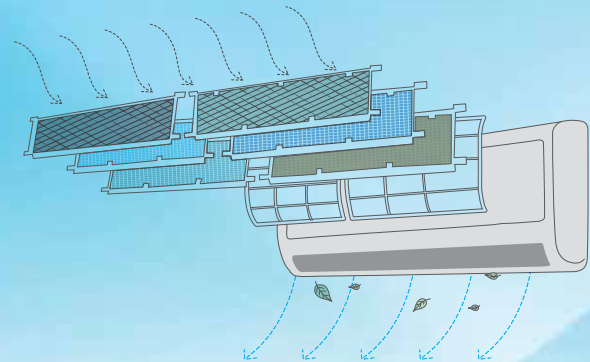
Low noise operation at low load condition

Cooling is something you feel, not hear. Voltas Air Conditioners operate at a noise level as low as 28dB(A). So, it gives you a peaceful and comfortable experience.



Anti-microbial Air Filtration

It deactivates microbes which includes germs, bacteria and fungi.



Filter Clean Indicator

CL indicator to remind filter cleaning

With a CL indicator feature in the AC, one is timely intimated that it's time to clean the filter. This filter acts as the protection layer which keeps all the micro matters like dust, contaminants, fur and fibres away from entering the AC. Thus, it blows only clean air into your home.



High Ambient Cooling

Extreme Ambient Temperature operations

The Voltas Inverter AC cools even at 55°C. With its superior cooling capacity, it cools easily at high temperature.



5-Speed Fan Function

Variable Speed Mode

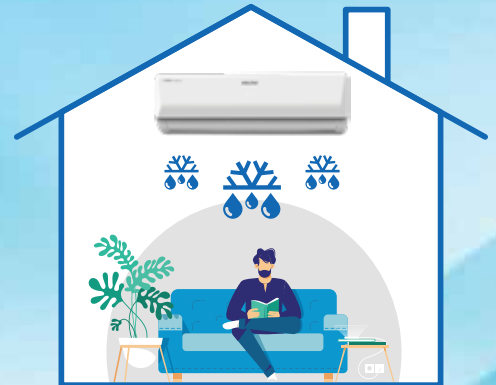
You have 5 fan speeds to choose from. This ensures superior comfort and convenience in all types of heat load.



Ice Wash

Automatic coil cleaning

With the activation of Ice Wash feature, the AC by freezing and de-freezing automatically cleans the evaporator, delivers better cooling and helps the overall performance of the AC.



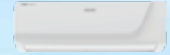
4 Way Swing

Uniform cooling for better experience

It helps the AC to push the air flow uniformly in the room helping the room cool faster.

Technical Specifications

3 Star Inverter



| Model | | 123V Vertis Emerald(4503457) | 183V Vertis Prism(4503537) | 183V Vertis Platina(4503538) |
|---|---------|------------------------------|----------------------------|------------------------------|
| Model Type | | Voltas SAC | | |
| Star Rating | Stars | 3 | | |
| Rated Cooling Capacity : Full Load (100%) | W | 3300 | 5100 | 5100 |
| Rated Cooling Capacity : Half Load (50%) | W | 1650 | 2550 | 2550 |
| Rated Cooling Power : Full Load (100%) | W | 1115 | 1650 | 1650 |
| Rated Cooling Power : Half Load (50%) | W | 400 | 638 | 638 |
| ISEER | | 3.80 | 3.81 | 3.81 |
| Power Supply | V/Hz/Ph | 230 / 50 / 1 Phase | | |
| Air Flow Volume - Indoor | CMH | 620 | 930 | 850 |
| *Noise Level - Indoor | ..dB(A) | 44/43/42/38 | 47/45/43/38 | 47/45/43/38 |
| Operation | | LCD Remote | | |
| Compressor Type | | High EER Rotary - BLDC | | |
| Wide Operating Voltage Range | V | 110-285 | | |
| Max Operating Ambient Temp Range | Deg C | 52° C | | |
| Refrigerant Gas | | R32 | | |
| Indoor Unit Dimension (WxHxD) | cm | 80x26.5x21 | 96x31.7x23.5 | 96x31.7x23.5 |
| Indoor Unit Net / Gross Weight | Kg | 8.2/10 | 11.8/14.3 | 11.8/14.3 |
| Outdoor Unit Dimension (WxHxD) | cm | 69.5x46x28.2 | 83.5x55.5x29.5 | 83.5x55.5x29.5 |
| Outdoor Unit Net / Gross Weight | Kg | 22.5/25.2 | 26/31.2 | 26/31.2 |
| Connecting Pipe | type | Cu-Cu(9.52mm & 6.35mm) | | |
| Condenser Coil | | Copper | | |
| Multi Adjustable Mode | | 5 Step | | |
| Filter | | Dual Filter Protection | | |
| Evaporator Fin | | Blue | | |
| Anti-Corrosive Coating (IDU HP Side) | | Yes | | |
| LED Display | | Yes | | |
| Self Diagnosis | | Yes | | |
| Auto Restart | | Yes | | |
| Ice Wash | | - | | |
| Filter Clean Indicator | | - | | |
| Super Silent | | - | | |
| Sleep Mode | | Yes | | |
| 4-Way Swing | | Yes | | |
| Dual Temp Display | | Yes | | |

3 Star Inverter



| Model | | 183V Vertis Emerald(4503589) | 243V Vertis Emerald(4503462) |
|---|---------|------------------------------|------------------------------|
| Model Type | | Voltas SAC | |
| Star Rating | Stars | 3 | |
| Rated Cooling Capacity : Full Load (100%) | W | 4900 | 5900 |
| Rated Cooling Capacity : Half Load (50%) | W | 2450 | 2950 |
| Rated Cooling Power : Full Load (100%) | W | 1570 | 1970 |
| Rated Cooling Power : Half Load (50%) | W | 620 | 705 |
| ISEER | | 3.80 | 3.85 |
| Power Supply | V/Hz/Ph | 230 / 50 / 1 Phase | |
| Air Flow Volume - Indoor | CMH | 850 | 850 |
| *Noise Level - Indoor | ..dB(A) | 46/45/43/38/28 | 46/45/43/38/28 |
| Operation | | LCD Remote | |
| Compressor Type | | High EER Rotary - BLDC | |
| Wide Operating Voltage Range | V | 110-285 | |
| Max Operating Ambient Temp Range | Deg C | 52° C | |
| Refrigerant Gas | | R32 | |
| Indoor Unit Dimension (WxHxD) | cm | 96x31.7x24.5 | 96x31.7x24.5 |
| Indoor Unit Net / Gross Weight | Kg | 11.1/13.8 | 11.1/13.8 |
| Outdoor Unit Dimension (WxHxD) | cm | 83.5x55.5x29.5 | 83.5x55.5x29.5 |
| Outdoor Unit Net / Gross Weight | Kg | 25.7/31 | 28.6/33 |
| Connecting Pipe | type | Cu-Cu(12.7mm & 6.35mm) | |
| Condenser Coil | | Copper | |
| Multi Adjustable Mode | | 5 Step | |
| Filter | | Dual Filter Protection | |
| Evaporator Fin | | Golden/Blue | |
| Anti-Corrosive Coating (IDU HP Side) | | Yes | |
| LED Display | | Yes | |
| Self Diagnosis | | Yes | |
| Auto Restart | | Yes | |
| Ice Wash | | Yes | |
| Filter Clean Indicator | | Yes | |
| Super Silent | | Yes | |
| Sleep Mode | | Yes | |
| 4-Way Swing | | Yes | |
| Dual Temp Display | | Yes | |

* Noise level reflects the levels in Anechoic Chamber. All above performance data are as per IS 1391 Rated conditions. As a continuing policy of product innovation at Voltas, the design and specification are subjected to change without prior notice. Product images are for illustrative purposes only and may differ from the actual product. Adjustable mode for VERTIS & VENUS series 1 Ton 5 steps (0.6/0.7/0.8/1/1.1), 1.5 Ton 5 steps (0.7/1/1.2/1.5/1.6), 2 Ton 5 steps (0.7/1/1.2/1.6/2).



Technical Specifications

4 Star Inverter



| Model | 184V Vertis Emerald(4503460) | |
|---|------------------------------|------------------------|
| Model Type | Voltas SAC | |
| Star Rating | Stars | 4 |
| Rated Cooling Capacity : Full Load (100%) | W | 5200 |
| Rated Cooling Capacity : Half Load (50%) | W | 2600 |
| Rated Cooling Power : Full Load (100%) | W | 1435 |
| Rated Cooling Power : Half Load (50%) | W | 567 |
| ISEER | | 4.41 |
| Power Supply | V/Hz/Ph | 230 / 50 / 1 Phase |
| Air Flow Volume - Indoor | CMH | 850 |
| *Noise Level - Indoor | ..dB(A) | 46/45/43/38/28 |
| Operation | | LCD Remote |
| Compressor Type | | High EER Rotary - BLDC |
| Wide Operating Voltage Range | V | 110-285 |
| Max Operating Ambient Temp Range | Deg C | 52° C |
| Refrigerant Gas | | R32 |
| Indoor Unit Dimension (WxHxD) | cm | 96x31.7x24.5 |
| Indoor Unit Net / Gross Weight | Kg | 11.1/13.8 |
| Outdoor Unit Dimension (WxHxD) | cm | 83.5x55.5x29.5 |
| Outdoor Unit Net / Gross Weight | Kg | 26.6/32.8 |
| Connecting Pipe | type | Cu-Cu(12.7mm & 6.35mm) |
| Condenser Coil | | Copper |
| Multi Adjustable Mode | | 5 Step |
| Filter | | Dual Filter Protection |
| Evaporator Fin | | Golden/Blue |
| Anti-Corrosive Coating (IDU HP Side) | | Yes |
| LED Display | | Yes |
| Self Diagnosis | | Yes |
| Auto Restart | | Yes |
| Ice Wash | | Yes |
| Filter Clean Indicator | | Yes |
| Super Silent | | Yes |
| Sleep Mode | | Yes |
| 4-Way Swing | | Yes |
| Dual Temp Display | | Yes |

5 Star Inverter



| Model | 125V Vertis Emerald(4503458) | | 185V Vertis Emerald(4503581) | |
|---|------------------------------|------------------------|------------------------------|--|
| Model Type | Voltas SAC | | Voltas SAC | |
| Star Rating | Stars | 5 | 5 | |
| Rated Cooling Capacity : Full Load (100%) | W | 3450 | 4850 | |
| Rated Cooling Capacity : Half Load (50%) | W | 1725 | 2425 | |
| Rated Cooling Power : Full Load (100%) | W | 820 | 1270 | |
| Rated Cooling Power : Half Load (50%) | W | 338 | 438 | |
| ISEER | | 5.00 | 5 | |
| Power Supply | V/Hz/Ph | 230 / 50 / 1 Phase | 230 / 50 / 1 Phase | |
| Air Flow Volume - Indoor | CMH | 650 | 850 | |
| *Noise Level - Indoor | ..dB(A) | 46/44/42/38 | 46/45/43/38/28 | |
| Operation | | LCD Remote | LCD Remote | |
| Compressor Type | | High EER Rotary - BLDC | High EER Rotary - BLDC | |
| Wide Operating Voltage Range | V | 110-285 | 110-285 | |
| Max Operating Ambient Temp Range | Deg C | 52° C | 52° C | |
| Refrigerant Gas | | R32 | R32 | |
| Indoor Unit Dimension (WxHxD) | cm | 80x26.5x21 | 96x31.7x24.5 | |
| Indoor Unit Net / Gross Weight | Kg | 8.3/10.5 | 11.1/13.8 | |
| Outdoor Unit Dimension (WxHxD) | cm | 83.5x55.5x29.5 | 83.5x55.5x29.5 | |
| Outdoor Unit Net / Gross Weight | Kg | 26.2/31.5 | 26/30.3 | |
| Connecting Pipe | type | Cu-Cu(12.7mm & 6.35mm) | Cu-Cu(12.7mm & 6.35mm) | |
| Condenser Coil | | Copper | Copper | |
| Multi Adjustable Mode | | 5 Step | 5 Step | |
| Filter | | Dual Filter Protection | Dual Filter Protection | |
| Evaporator Fin | | Blue | Golden/Blue | |
| Anti-Corrosive Coating (IDU HP Side) | | Yes | Yes | |
| LED Display | | Yes | Yes | |
| Self Diagnosis | | Yes | Yes | |
| Auto Restart | | Yes | Yes | |
| Ice Wash | | - | Yes | |
| Filter Clean Indicator | | - | Yes | |
| Super Silent | | - | Yes | |
| Sleep Mode | | Yes | Yes | |
| 4-Way Swing | | Yes | Yes | |
| Dual Temp Display | | Yes | Yes | |

* Noise level reflects the levels in Anechoic Chamber. All above performance data are as per IS 1391 Rated conditions. As a continuing policy of product innovation at Voltas, the design and specification are subjected to change without prior notice. Product images are for illustrative purposes only and may differ from the actual product. Adjustable mode for VERTIS & VENUS series 1 Ton 5 steps (0.6/0.7/0.8/1/1.1), 1.5 Ton 5 steps (0.7/1/1.2/1.5/1.6), 2 Ton 5 steps (0.7/1/1.2/1.6/2).



VOLTAS *maha* ADJUSTABLE™ INVERTER AC



**5-STAGE ADJUSTABLE
MODE**



SUPERDRY



**INSTANT
COOLING**



**100%
COPPER**

Visit us at www.myvoltas.com
To locate your nearest store,
log on to: www.myvoltas.com/store-locator

Voltas 24x7 Customer Service - 1860 599 4555, 9650694555
For product registration, SMS <WTA> to 9289525321
Buy only genuine Voltas stabilizers.

Follow us at [f My Voltas](#) [t My Voltas](#) [i My Voltas](#)
[in Voltas Limited](#) [v My Voltas](#)

Buy online at:
voltas.com

Corporate Head Office: Voltas Limited, Voltas House A, Dr. Babasaheb Ambedkar Road, Chinchpokli, Mumbai - 400033, Phone: 022-66656666. **Delhi:** Voltas Limited, A - 43, Mohan Co-Operative Industrial Estate, Mathura Road, New Delhi - 110044. Phone: 011-66505550. **Haryana:** Voltas Limited, A - 43, Mohan Co-Operative Industrial Estate, Mathura Road, New Delhi. Phone: 011-66505550. **Ghaziabad:** Voltas Limited, D-15, R.S. Plaza, 3rd Floor, Raj Nagar, RDC, Ghaziabad - 201001. Phone: 0120-6404801. **Chandigarh:** Voltas Limited, Plot No. 194-195, First Floor, Industrial Area Phase-2, Chandigarh - 160002. Phone: 0172-4111800. **Lucknow:** Voltas Limited, Shalimar Titanium, Block - C, 4th Floor, Office Nos. 410-412, Plot No. Tcg -1/1, Opp. Indira Gandhi Pratishthan, Vibhuti Khand, Gomti Nagar, Lucknow - 226010, Phone: 0522-6566961. **Jaipur:** Voltas Limited, Diamond Tower, 201-203, Purani Chungi, Ajmer Road, Jaipur-302021, Phone: 0141-2972015. **Hyderabad:** Voltas Ltd: 7-2-1735, Sanath Nagar, Opp Neelima Hospital, Hyderabad - 500018, Phone: 040-66746818, For Institutional Enquiry - 9603926217. **Vijayawada:** Voltas Ltd, 23-24-29, Beside Nadars Function Hall, Bhagat Singh Road Corner, Vijayawada - 520011, For Institutional Enquiry - 866511189. **Bangalore:** Voltas Ltd, 7th Floor, Pride Hulkul, Lalbagh Road, Bangalore - 560027, For Corporate Enquiries, Phone: 8239439016. **Chennai:** Voltas Limited, No 624, Anna Salai, Teynampet, Chennai - 600018. Phone: 044-66760437. **Kochi:** Voltas Limited, Shema Building, Door No.39/4166, M G Road, Ravipuram, Kochi, Kerala - 682016, Phone: 0484-6605555. **Coimbatore:** Voltas Limited, 1413, Trichy Road, Coimbatore - 641018, Phone: 0422-6619051 / 31. **Mumbai & Thane:** Voltas Limited, Voltas House B, 3rd Floor, T.B. Kadam Marg, Chinchpokli, Mumbai - 400033, Phone: 9633701673. **Pune:** Voltas Limited, behind Adi Marbles, Pune International Airport Area, Chandan Nagar, Pune, Maharashtra - 411014, Phone: 9699880036. **Nagpur:** Voltas Ltd, Adisun Trade Center, 5th Floor, Plot No-38, Dhaga Layout, Near Crazy Castle, Nagpur-440010, Phone: 8888228894. **Ahmedabad:** Voltas Limited, A-301, Shivalk Corporate Park, Shivranjini Crossroad Satellite, Ahmedabad-380015, Phone: 0790-6630119091. **Indore:** 501-B, 5th Floor, Nrk Business Park, Block B-1, Pu-4, Sch.No.54 Vijay Nagar Square, A.B.Road, Indore-452010, M.P. Phone: 0731-4043512 & 4046393. **Raipur:** Voltas Limited, Shop No. 6008, 6009, 6th Floor, Currency Tower, near VIP Chowk, Raipur, Chhattisgarh - 492001, Phone: 7712990886. **Kolkata:** Voltas Limited, Unit No. 805, 8th Floor, Godrej Waterside Tower - 2, Plot No. -5, Block DP Sector - V, Salt Lake, Kolkata - 700091, Phone: 033-66266200-205. For Institutional Enquiry - 9007014430. **Patna:** Voltas Limited, 4th Floor, Block- B, SAI Corporate Park, Belly Road, Rukangpura, Patna, Bihar - 800014, For Institutional Enquiry - 9007014430. **Jamshedpur:** Voltas Limited, Voltas House, 3rd Floor, Main Road, Bistupur, Jamshedpur - 831001, Phone: 9040408545, 9830488691, For Institutional Enquiry - 9007014430. **Bhubaneswar:** Voltas Limited, B-15, 2nd Floor, Arihant Plaza, Shaheed Nagar, Bhubaneswar - 751007, Phone: 7077284059, 9937140010, For Institutional Enquiry - 9007014430. **Guwahati:** Voltas Limited, Upasana Palace Building, 6th Floor, Dr. Rajendra Prasad Road, Near Ganesh Mandir, Ganeshguri, Guwahati - 781006, Phone: 9706982628, For Institutional Enquiry - 9007014430.

❖ In India, E-Waste (Management and Handling) Rules 2016 r/w E-Waste Management Amendment Rules 2018 has been notified by the Ministry of Environment, Forests and Climate Change Government of India. Voltas Limited (Voltas) stands committed to implement E-Waste Rules. Voltas has done tie-up with the government authorised E-Waste Recycler for facilitating our Channel partners/customers to dispose and/or discard Electrical and Electronic Products after its end-of-life (when a product/part is non-operational or non-repairable) and including spare parts. The authorised Recycler has expertise in assisting Voltas in fulfilling their compliances related to EPR and E-waste Management. Channel partners/customers need to get in touch with Voltas Call Centre (9650694555) to dispose and/or discard Electrical and Electronic Products after its end-of-life. Channel partners/customers should contribute to resource conservation and prevent potential environmental problems by a simple action – the proper depositing of their old consumer durable products, its accessories or defective spares with authorised Recyclers. E-waste should be disposed of separately from the general waste stream via designated collection facilities identified by Voltas.

*Voltas Maha Adjustable Inverter AC can deliver cooling at multiple tonnage capacities, as selected by the user on the AC remote, hence optimizing power consumption. Features are available in select models only. T & C apply. **As per third party report. As a continuous policy of product innovations at Voltas, designs and specifications are subject to change without prior notice.