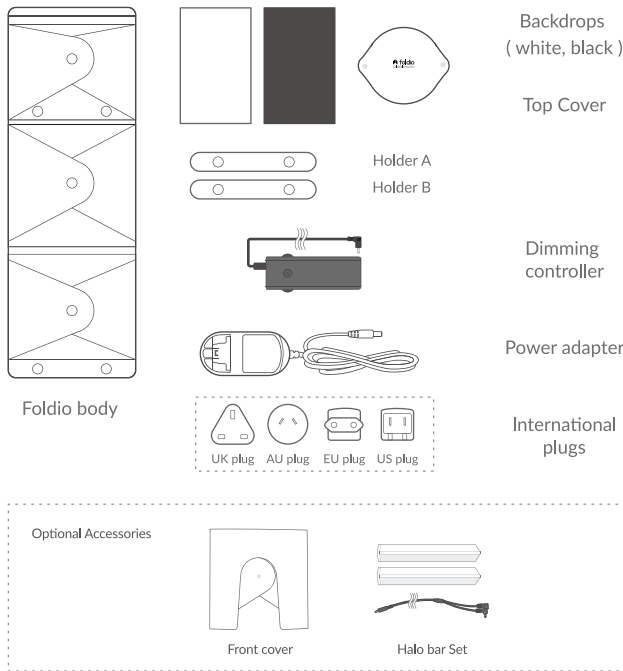


Foldio2 Plus Manual

From the Orangemonkie Team.

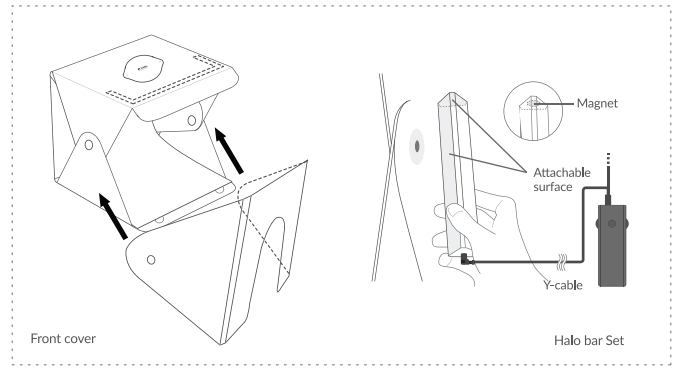
Thank you for purchasing Foldio2plus. We know you're eager to start using it right away, but please read the following instructions first to learn the best way to use the Foldio2plus.

Components



★ Optional Accessories :

Front cover / Halo bar set (Available on orangemonkie shop)



Specifications

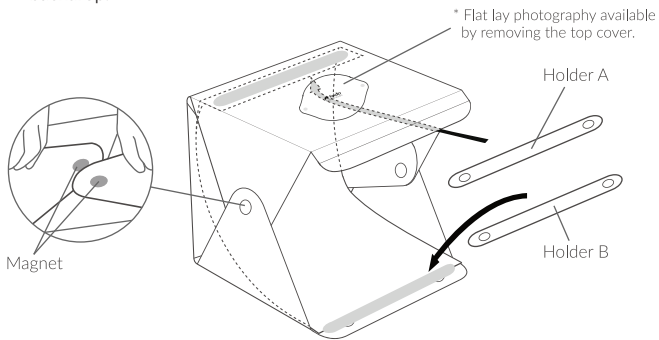
Opened	15" x 15" x 15" (38 x 38 x 38 cm)
Folded	15" x 15" x 1" (38 x 38 x 2.5 cm)
Backdrop	White, Black / 15" x 30" x 0.03" (38 x 75 x 0.1 cm)
Light	Triple LED strips [0.6W / 54 LEDs], Daylight 5700K Diffuser cover installed, Brightness control with the dimmer
Dimmer	Analog linear dimming
Adapter kit	Input: 100-240Vac 50/60Hz Output: 19V / 38W

ATTENTION

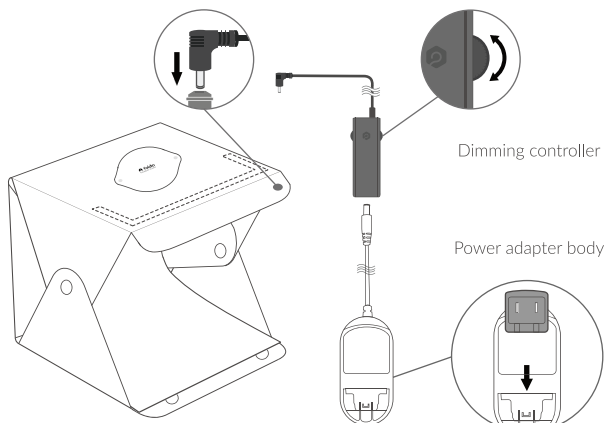
- Foldio2plus is made of a thin, flexible plastic sheet. Do not fold it back and forth or you will damage it. The Returns & Exchange Policy does not cover this "incorrect or abusive use."
- To reduce the possibility of overheating or heat-related injuries, always allow adequate ventilation around LED strips and use care when handling it. It is not recommended to use the LED strips for periods longer than 12 hours at a time to prevent them from overheating. Turn the LED strips off after work. An LED strip is a sensitive electronic device that can be damaged by incorrect handling such as bending. The Returns & Exchange Policy does not cover abusive use of the LED strips. Once the LED strips are attached, they are difficult to remove. Carefully determine where you want each strip to be before you attach it.
- Do not use the adapter kit for purposes other than Foldio2plus.
- 1-YEAR LIMITED WARRANTY is limited to Product and is not applicable to (i) consumables such as backdrops; (ii) normal wear and tear; (iii) defects or damage caused by misuse, accident (including without limitation; collision, fire and the spillage of food or liquid), neglect, abuse, alteration, unusual stress, modification, improper or unauthorized repair or improper storage (iv) used not in accordance with the documentation; and (v) damage caused by or to the equipment with which the Product is used.
- Please refer to the Terms of Sale section of our website(www.orangemonkie.com) for more information.

How to use

- 1 Set up to Foldio2plus by attaching the magnets located at the wing parts. Attach the backdrop holder to the top and bottom sides of the studio to fix the backdrop.



- 2 Plug in the dimming controller cord into DC connector located on the top side of Foldio2plus. Connect the dimming controller and the power adapter in the correct order like the image below. Combine a plug with the power adapter.



Model Name: FOLDIO2plus
 Manufacturer Name: ORANGEMONKIE KOREA, Inc.
 SKU: M0700R
 This device complies with part 15 of the FCC Rules.
 Operation is subject to the following two conditions:
 1) This device may not cause harmful interference, and
 2) This device must accept any interference received, including interference that may cause undesired operation.

Now, you are ready to use Foldio2plus. You can share pictures on Instagram and tag them #foldio. When you do, everyone will be inspired by your terrific pictures.

Please visit orangemonkie official website for more information about Foldio2plus.

Official website : www.orangemonkie.com
 US official website : us.orangemonkie.com
 Facebook : www.facebook.com/orangemonkie
 Instagram : @orangemonkieteam



Orangemonkie Inc. All rights reserved Designed by in California and Made in Korea. <http://www.orangemonkie.com>