

BC0048B

Assembly instruction 1/1

M4*16mm
A

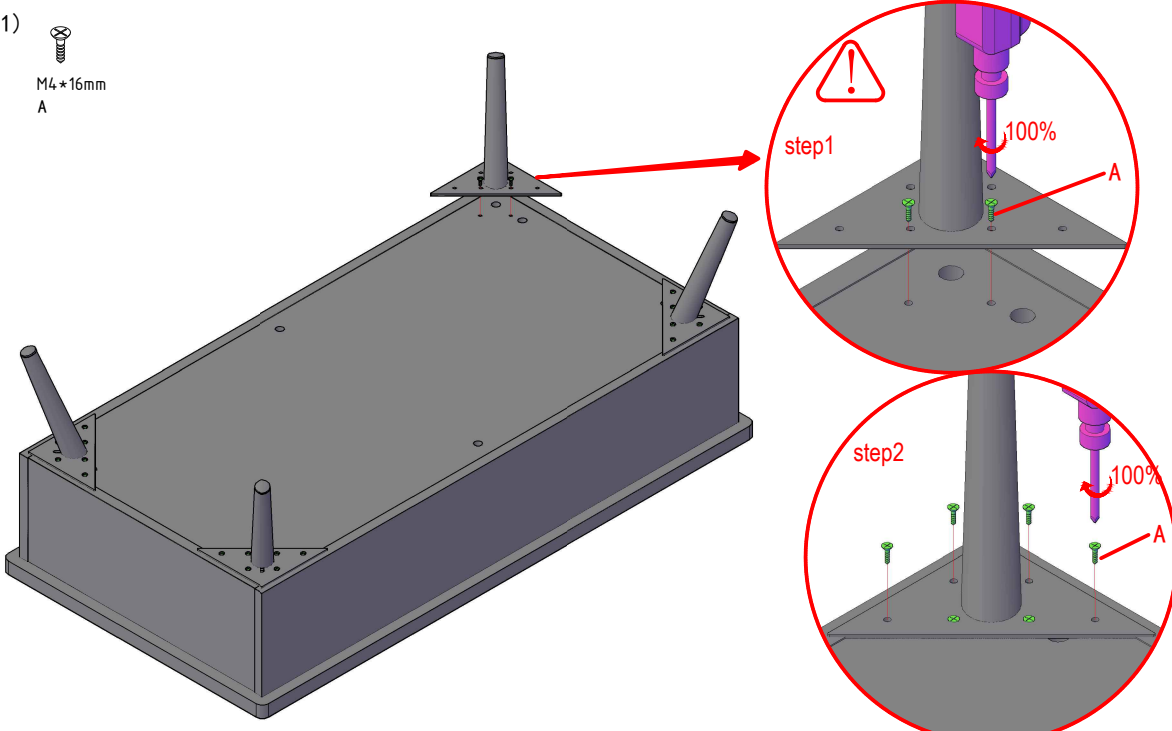
TOOLS-WORKERS



This block contains the material and tool requirements for the assembly. On the left, a screw icon is labeled 'M4*16mm' and 'A'. On the right, under the heading 'TOOLS-WORKERS', there are icons for a hex key, a screwdriver, a power drill, and two human figures representing workers.

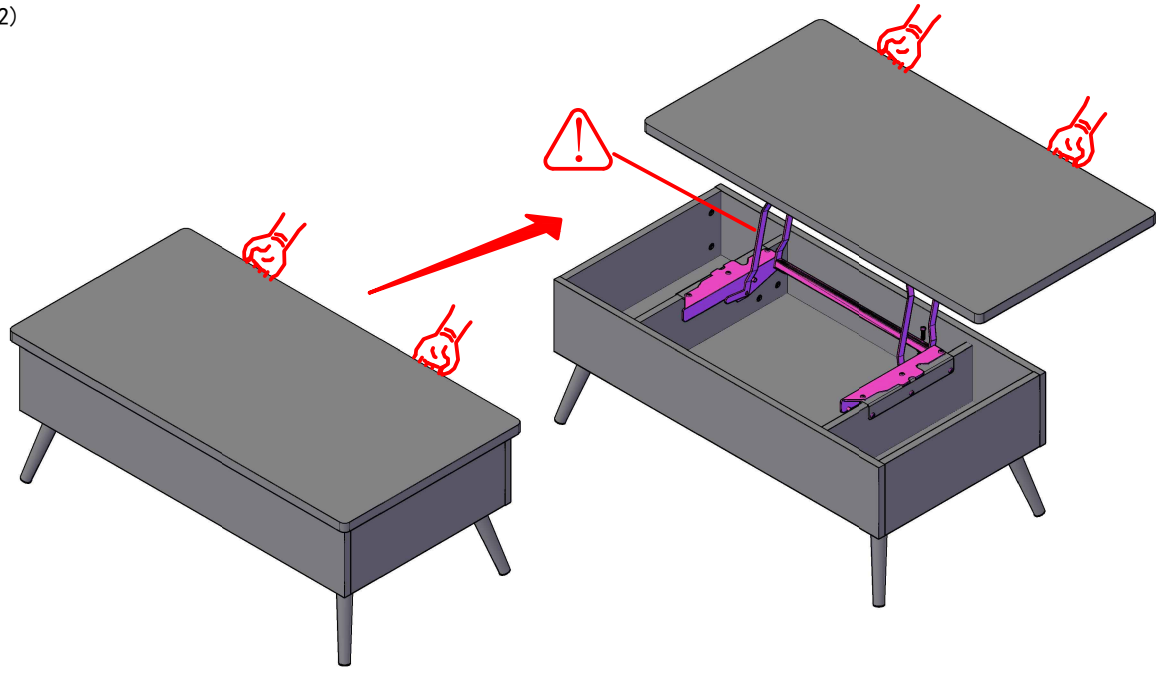
(1)

M4*16mm
A



This diagram illustrates the first assembly step. It shows a perspective view of a rectangular metal frame with four legs. A red arrow points from the top-right corner to a circular inset labeled 'step1'. This inset shows a close-up of a power drill driving a purple screw into a hole in the top plate. A red arrow labeled 'A' points to the screw. A warning triangle with an exclamation mark is also present. A second circular inset labeled 'step2' shows the same area after the screw is fully inserted, with a red arrow labeled 'A' pointing to the screw head. A '100%' label with a circular arrow indicates that the screw should be tightened completely.

(2)



This diagram illustrates the second assembly step. It shows two views of the assembled frame. On the left is a perspective view of the frame with its top plate attached. On the right is a top-down view of the frame with the top plate removed, revealing the internal purple hinges. A red arrow points from the perspective view to the top-down view. A warning triangle with an exclamation mark is positioned above the top-down view. Red hand-drawn symbols, including a smiley face and a dollar sign, are scattered around the diagram.