

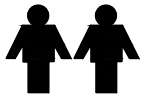


ASSEMBLY INSTRUCTION

Assembly Video

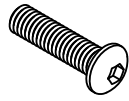
<https://vimeo.com/904569646?share=copy>

Applicable product model : Lift



ø8*ø17mm

A=2PC



M8*25mm

B=1PC



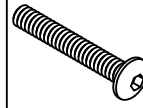
M8

C=1PC



M6

D=2PC



M6*35mm

E=2PC



ø12*14mm

F=1PC



M8

G=1PC



M6

H=1PC



5mm

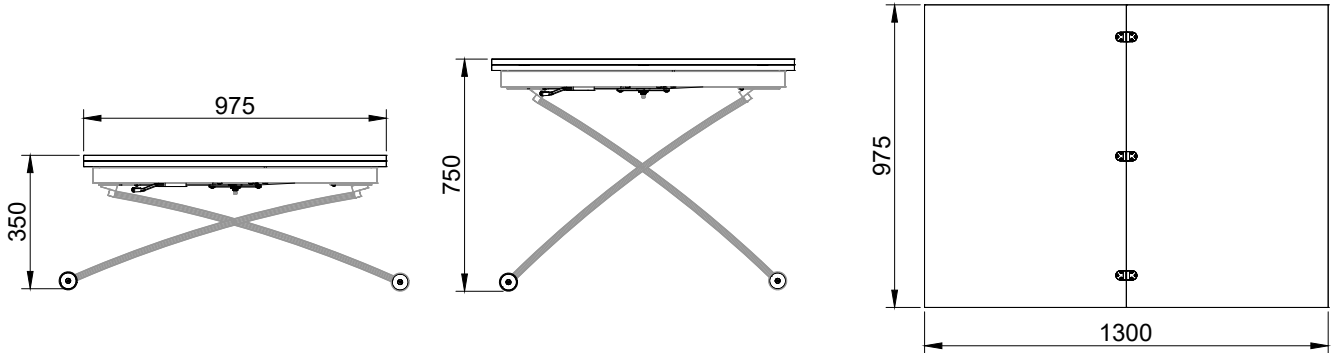
I=1PC



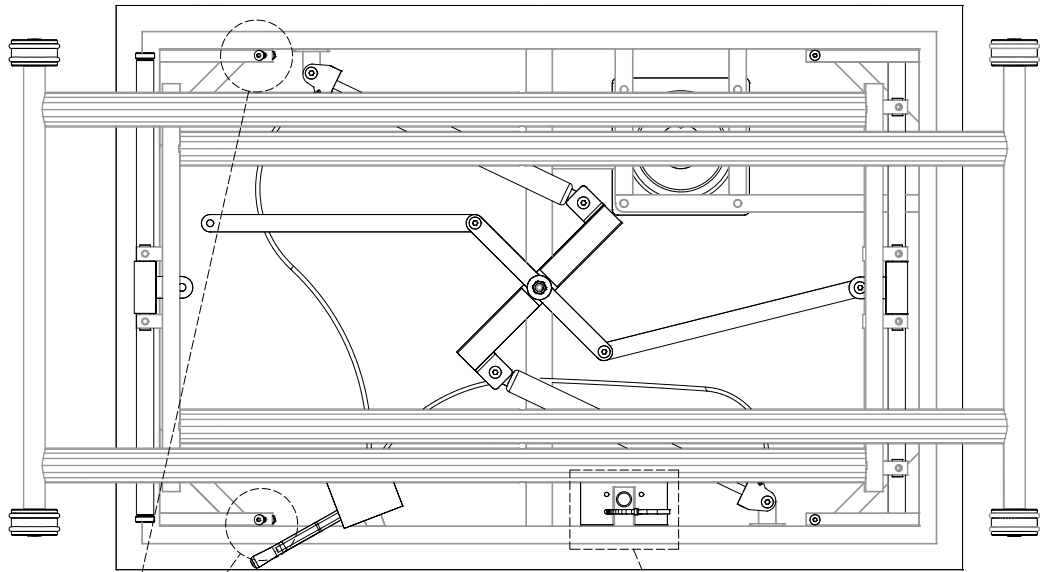
4mm

J=1PC

Unit=mm

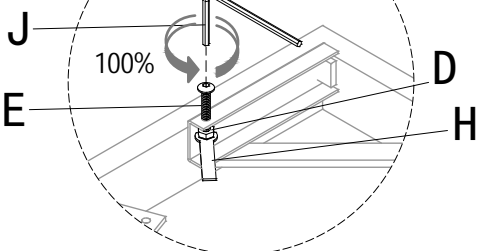


1.

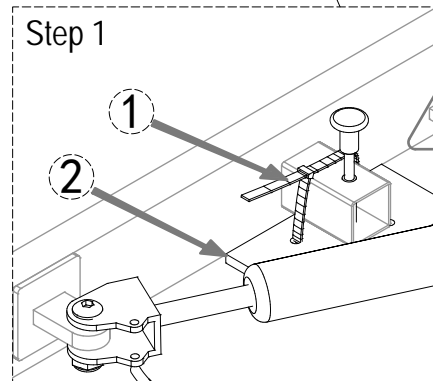


Take out the bolts first and keep them for next step installation.

Step 2



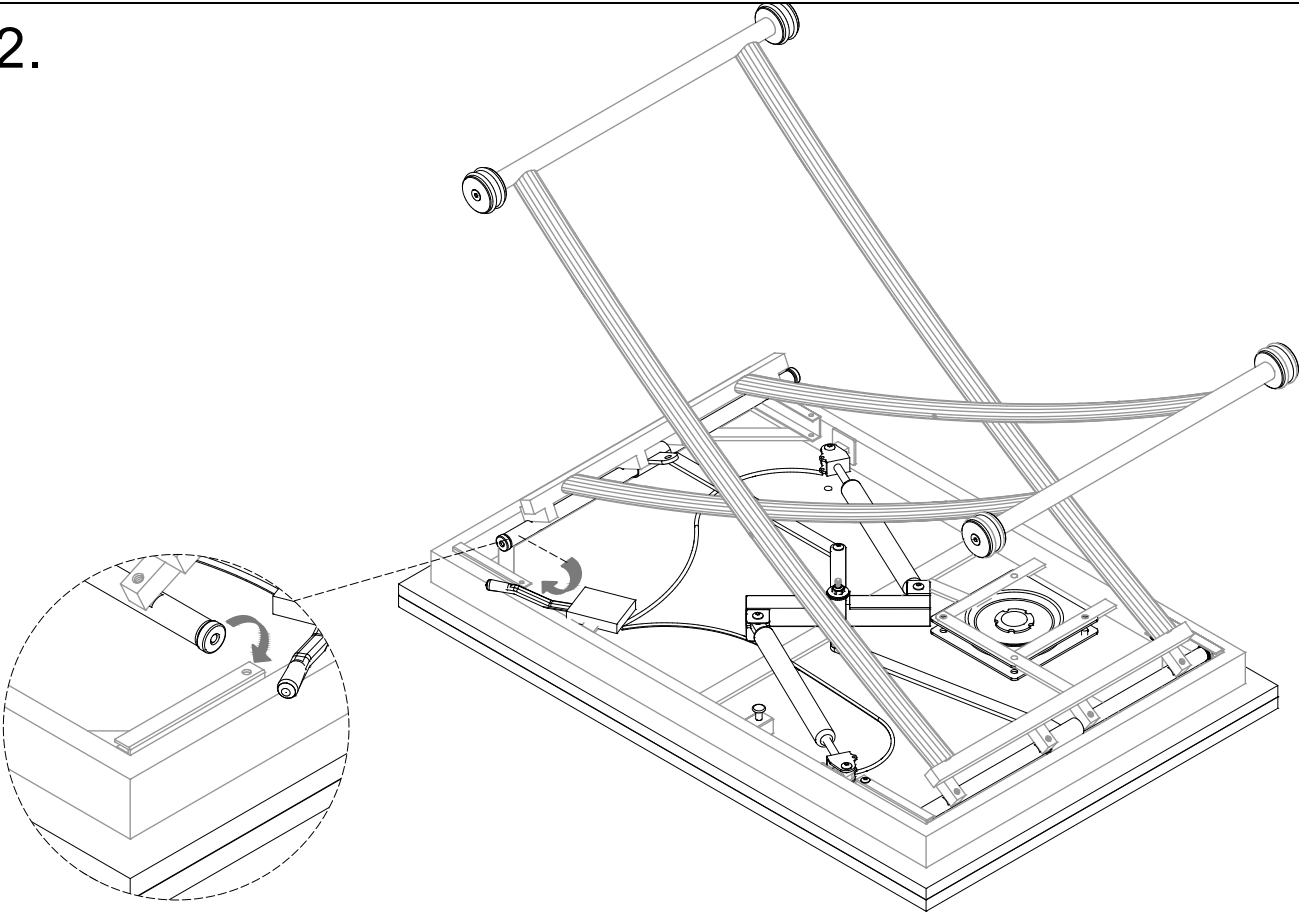
Step 1



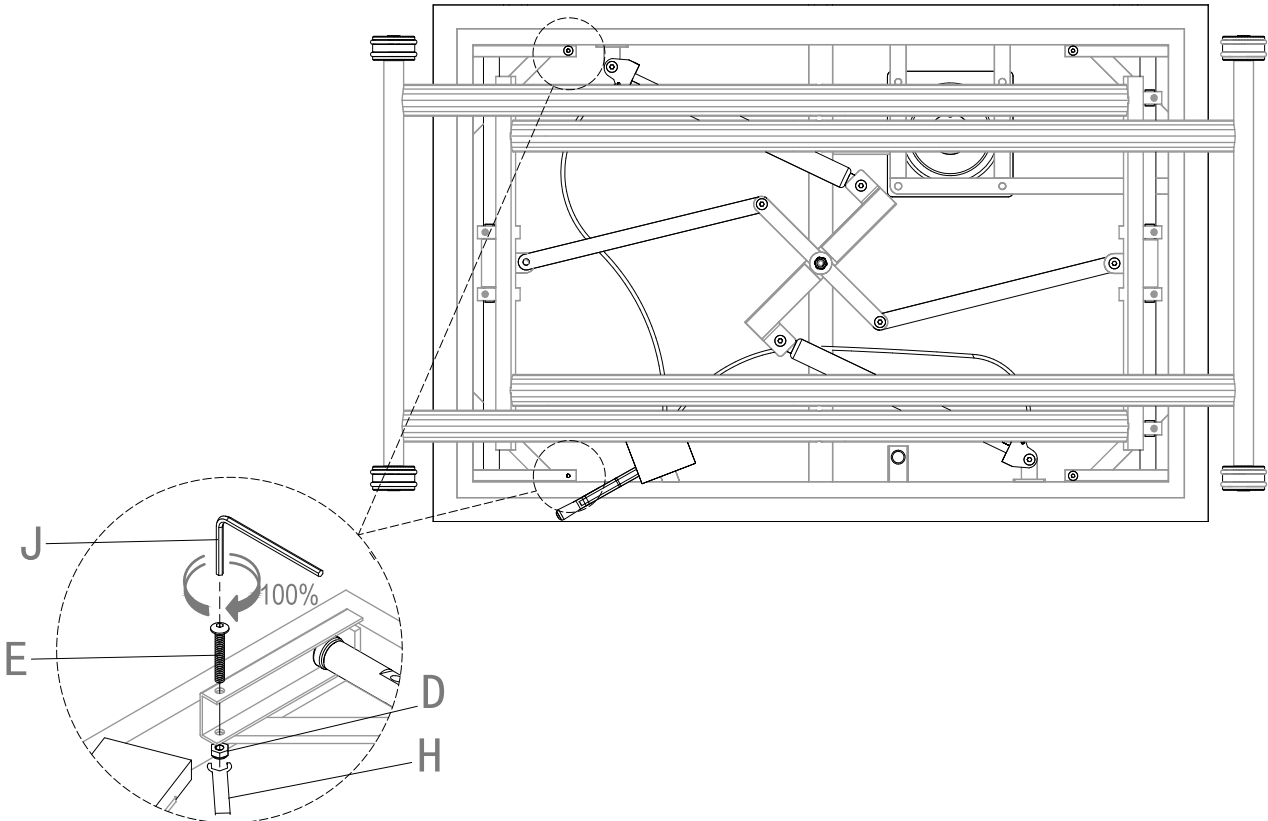
Remove the ① ZIP tie and ② small board first.

ASSEMBLY INSTRUCTION

2.

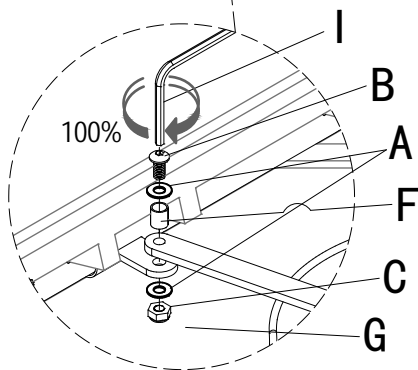
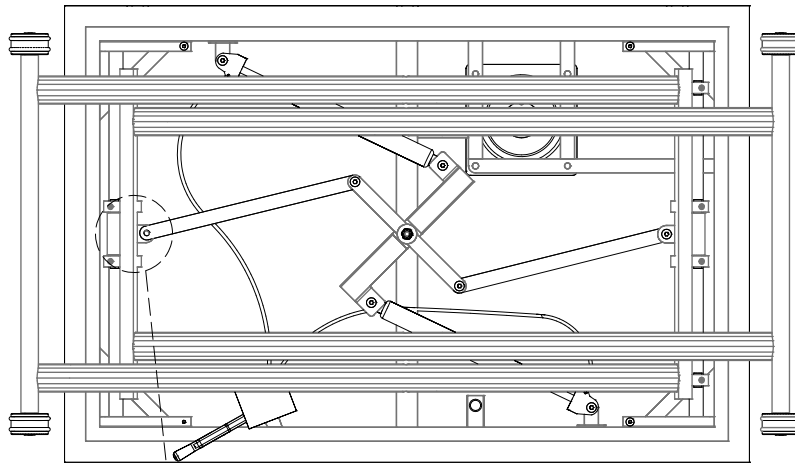


3.

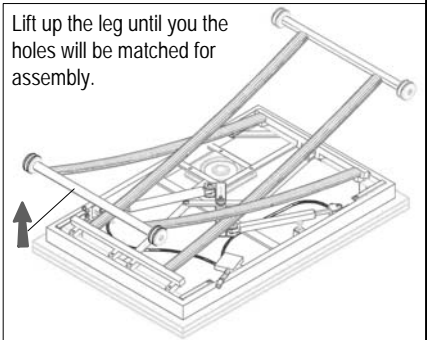


ASSEMBLY INSTRUCTION

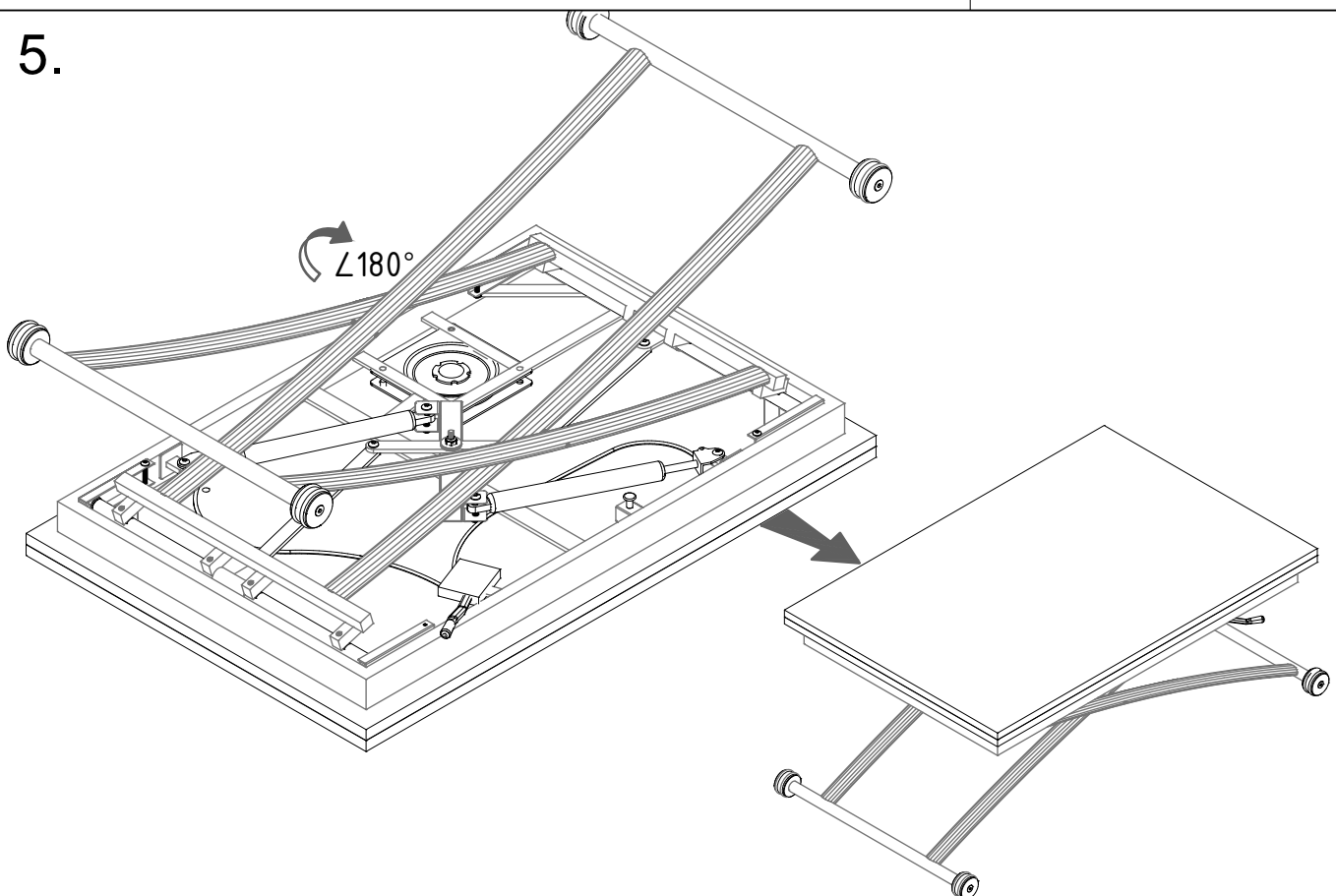
4.



Lift up the leg until the holes will be matched for assembly.



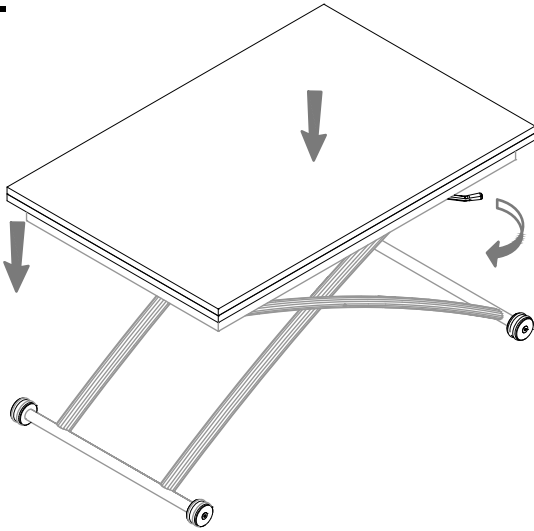
5.



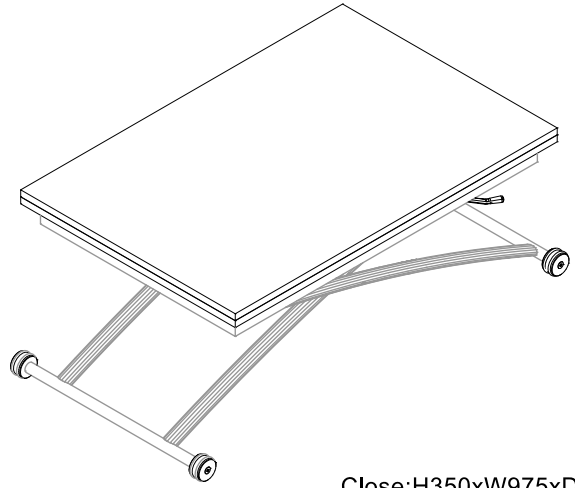
OPERATION INSTRUCTION

Close:H350xW975xD650

1.



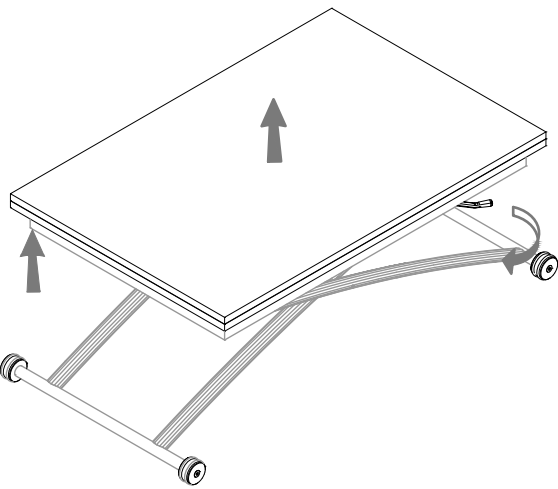
2.



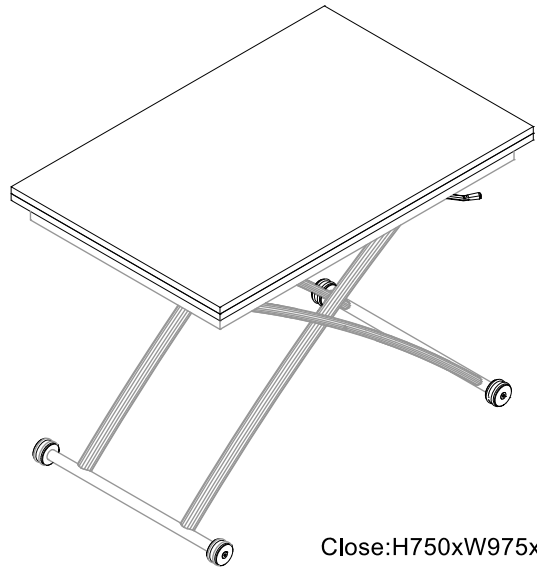
Close:H350xW975xD650

Open:H750xW975xD1300

1.



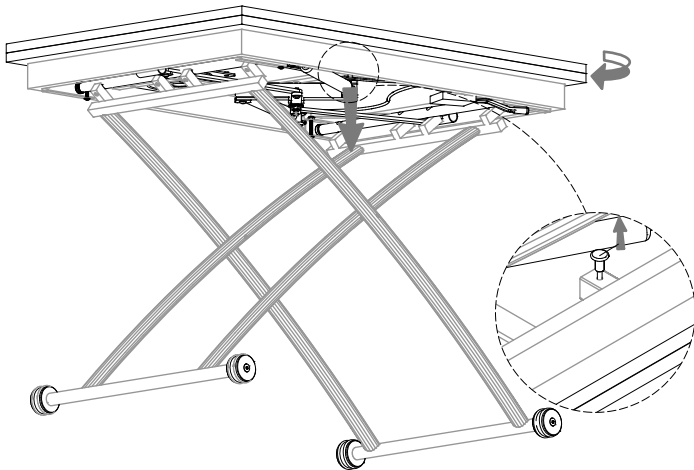
2.



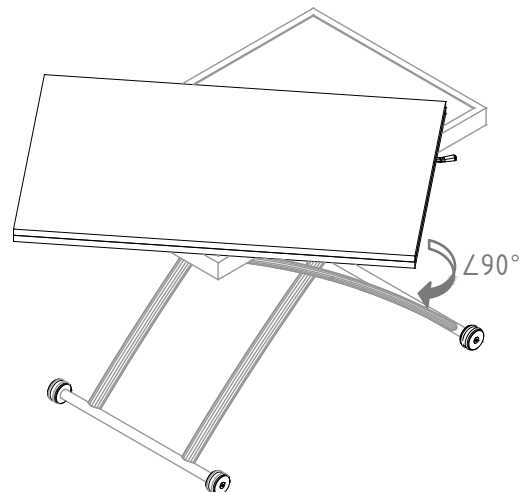
Close:H750xW975xD650

3.

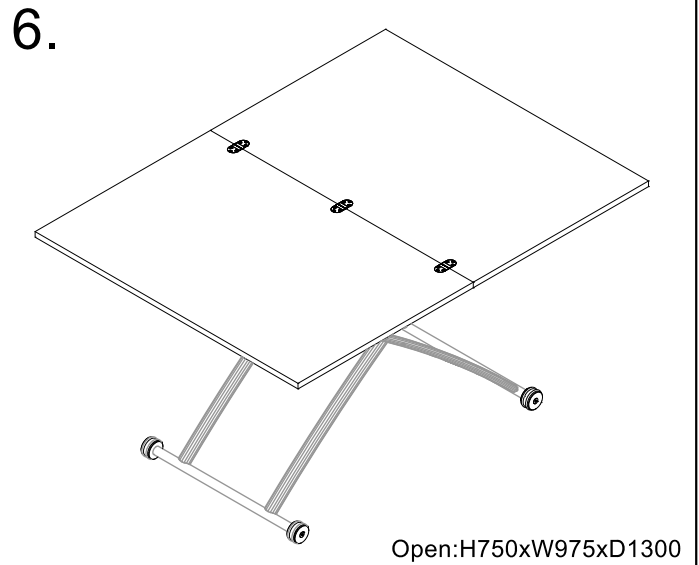
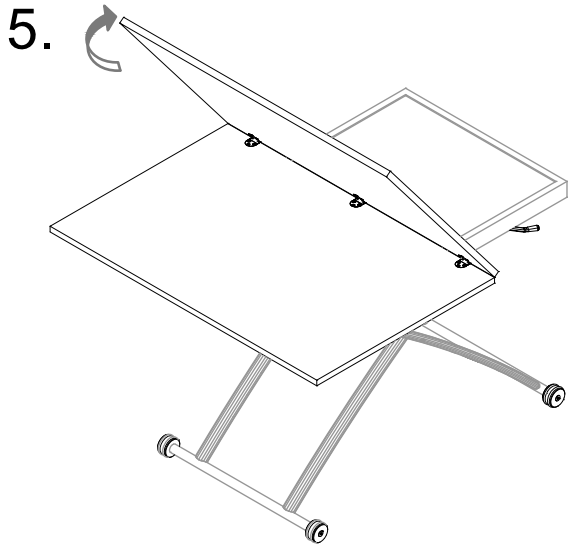
pull down the lock before you rotate the desk



4.



OPERATION INSTRUCTION



Close:H750xW975xD650

