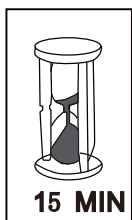


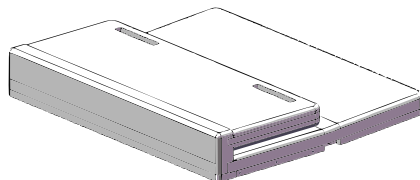
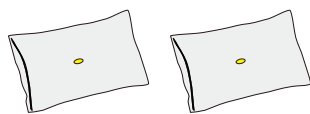
# Assembly Instruction

Applicable product model :

JENNER



6mm



(1)=1

Ø8



b=4

M8x35



c=10

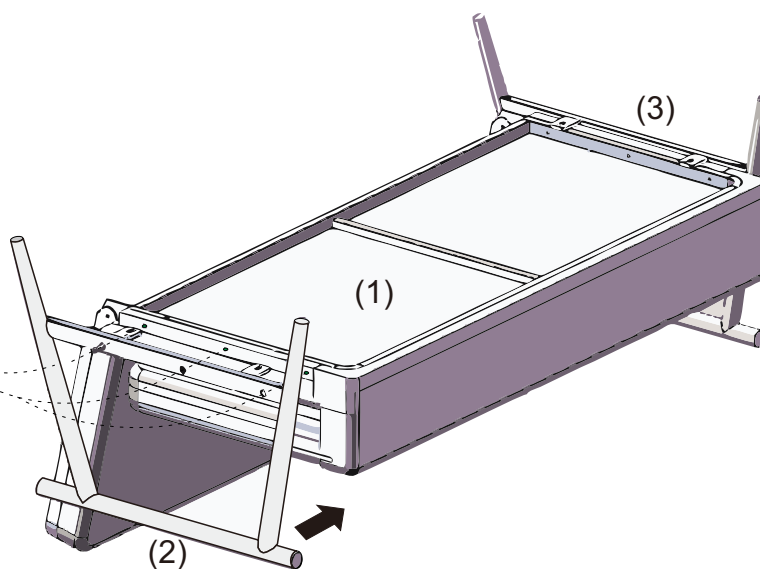
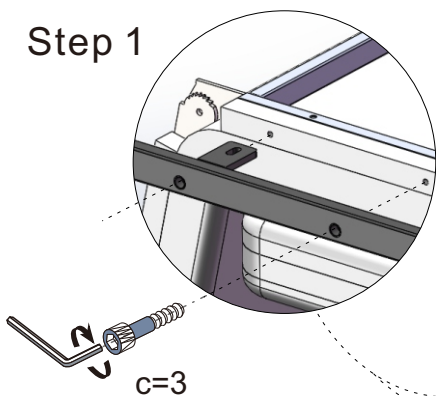


(2)=1

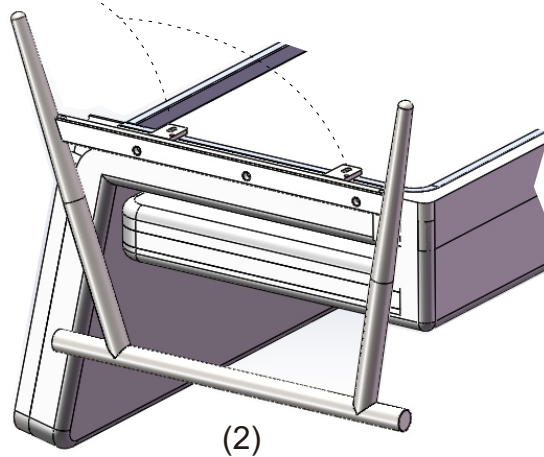
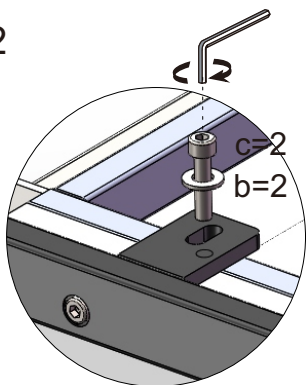


(3)

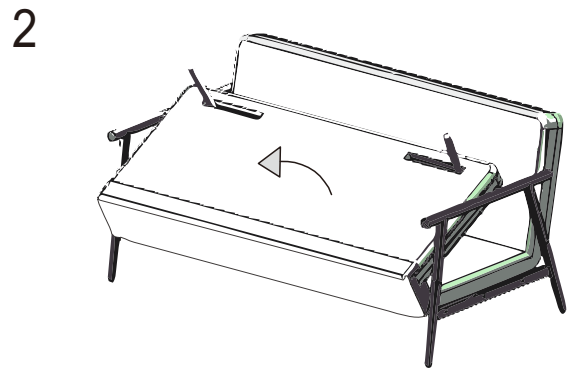
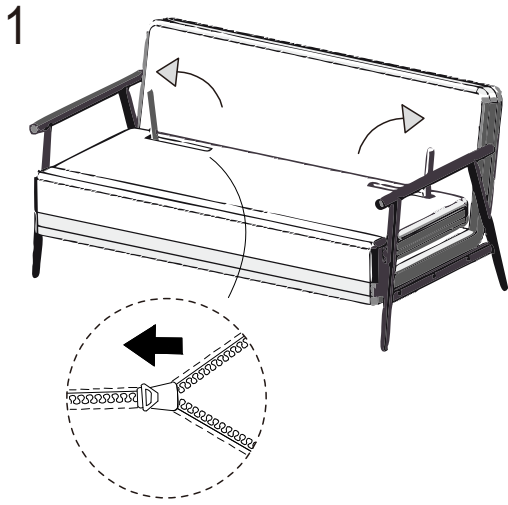
Step 1



Step 2



# Operation Manual



Do not use the lounge position without the legs fully extended

