

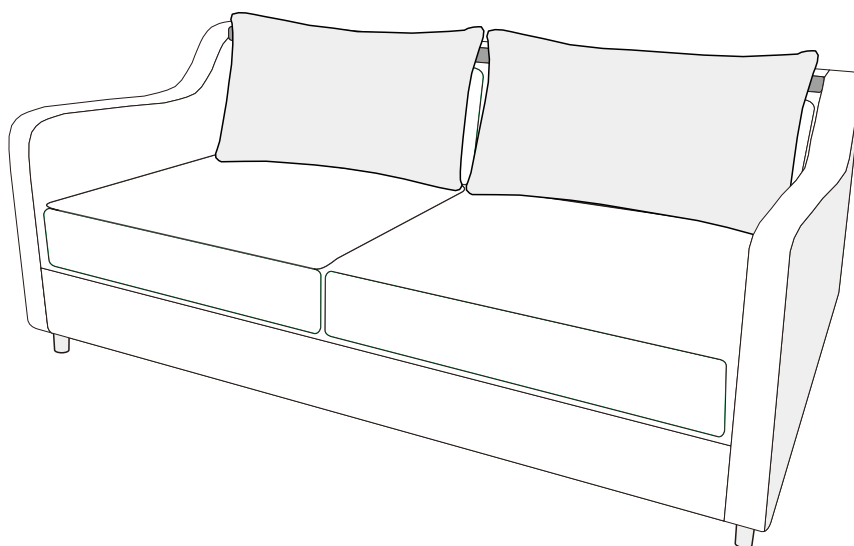
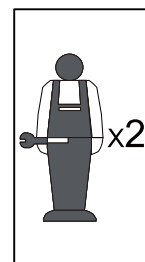
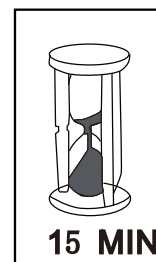




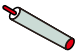



Operation Video

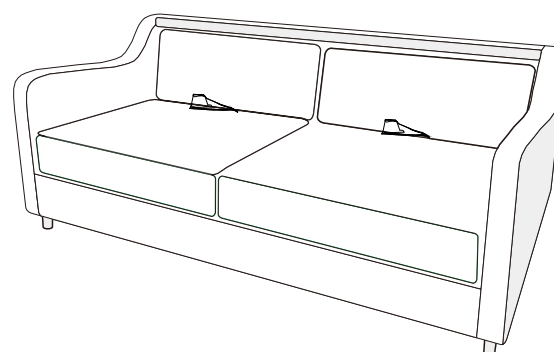
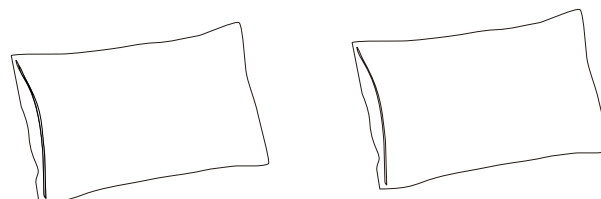
Assembly Instruction

Applicable product model :

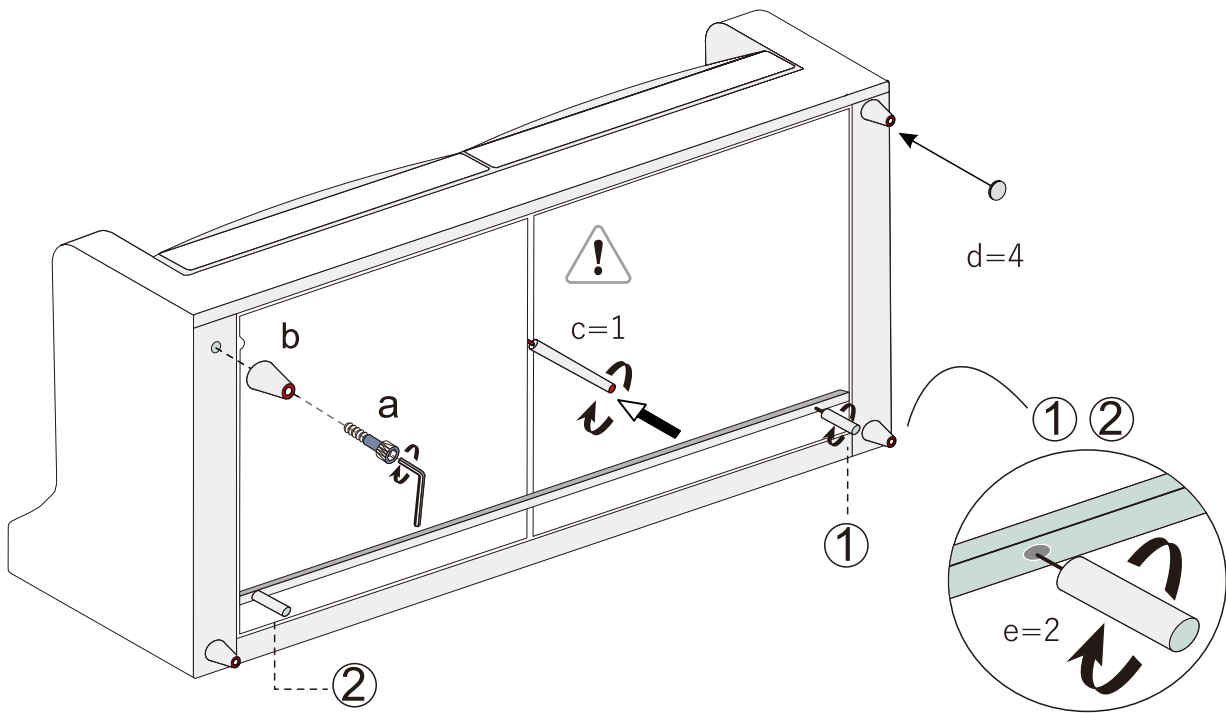
Noble



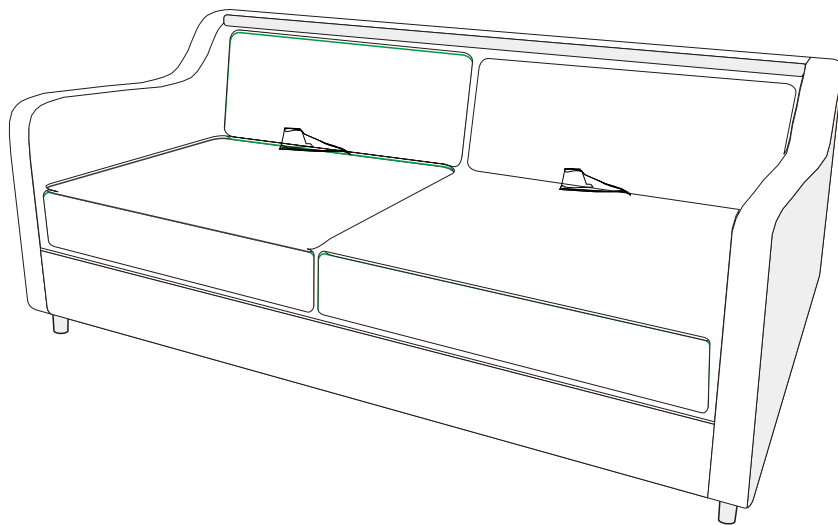
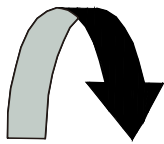
PARTS LIST		
ID	DESCRIPTION	
a=4	M8x80	
b=4		
c=1		
d=4		
e=2		
	6mm	



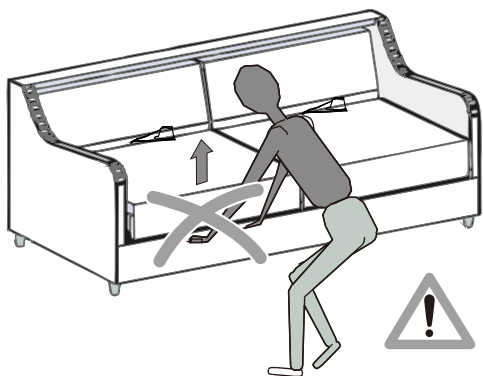
Step1



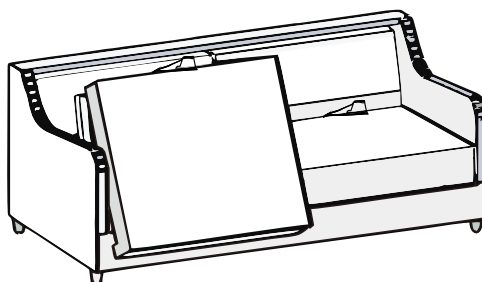
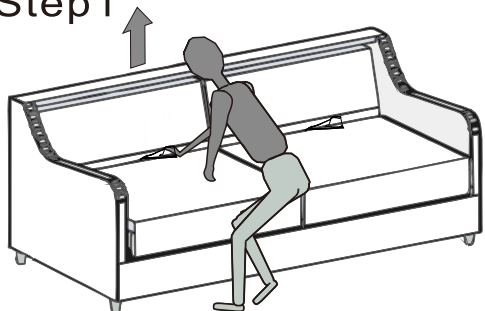
Step2



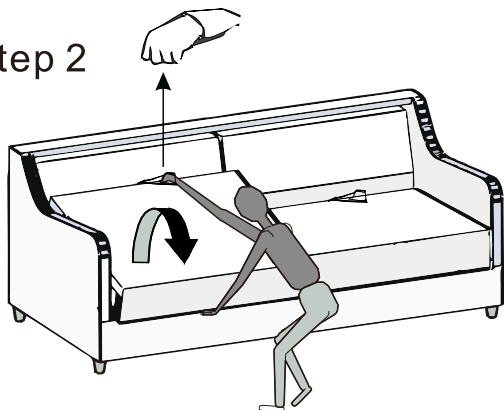
Operation Manual



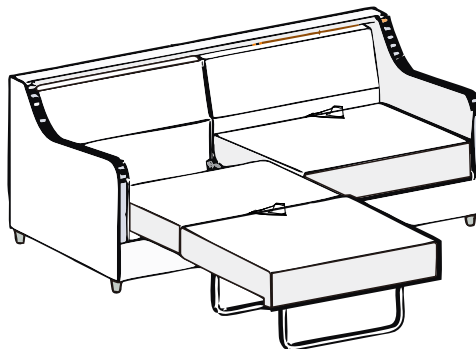
Step 1



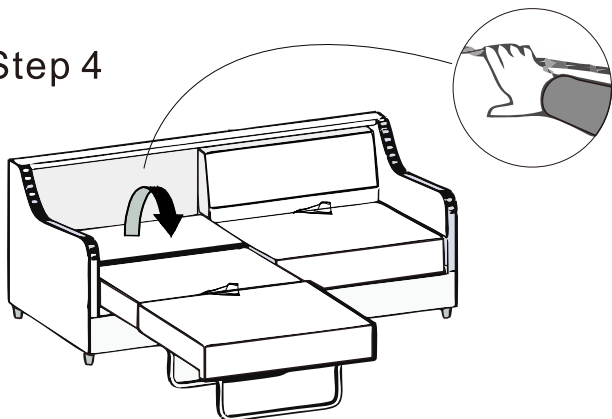
Step 2



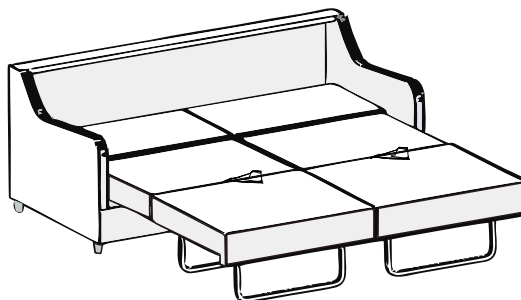
Step 3

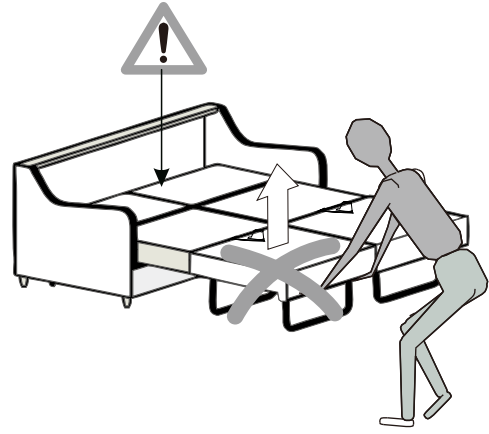
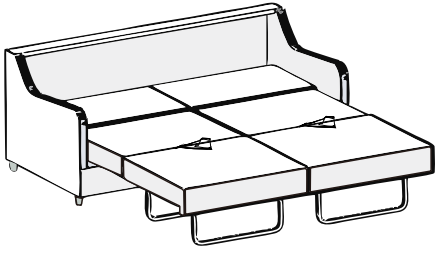


Step 4



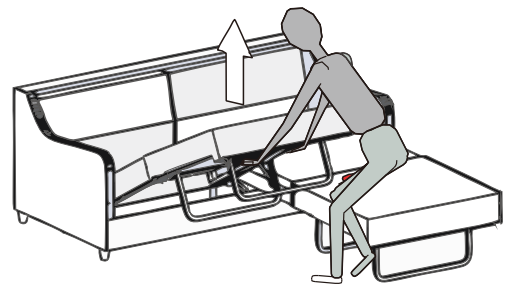
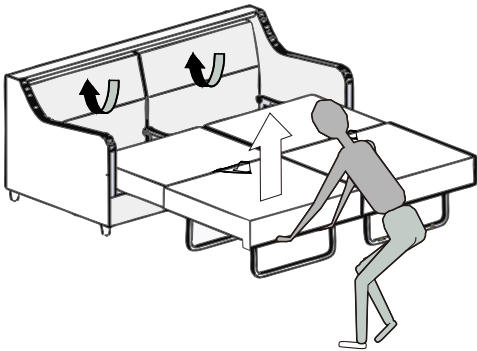
Step 5





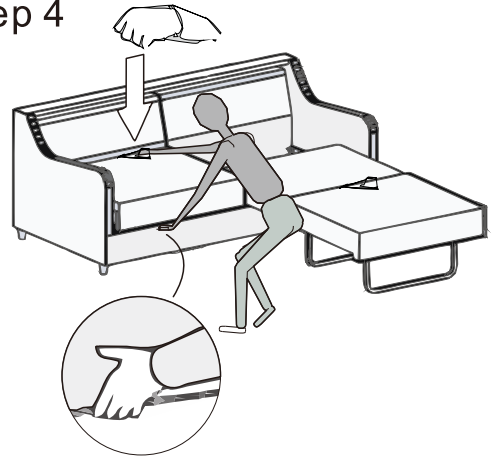
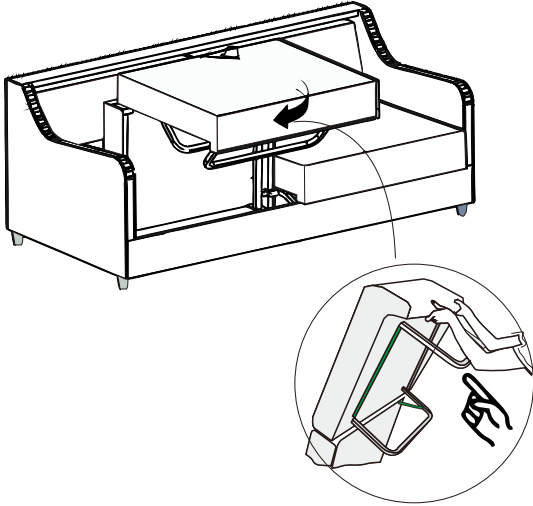
Step 1

Step 2



Step 3

Step 4



Step 5

Step 6

