

Assembly Instruction

Applicable product model :Twirl

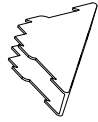
TOOLS-WORKERS



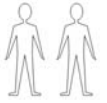
M8*100
A=4



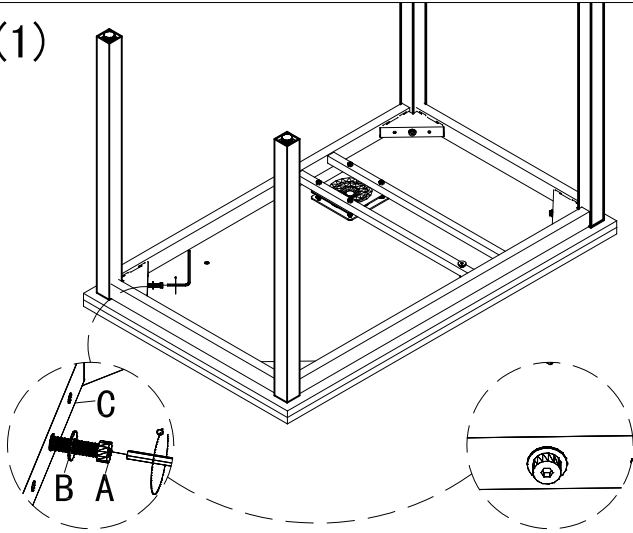
$\phi 8 \times \phi 17 \times 1.5$
B=4



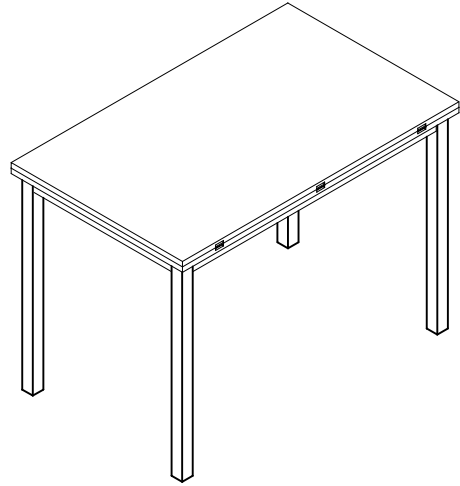
147*63*27
C=4



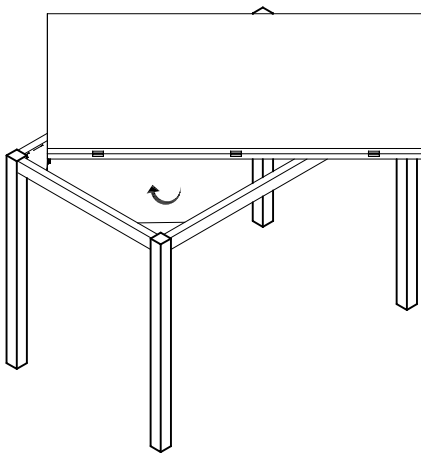
(1)



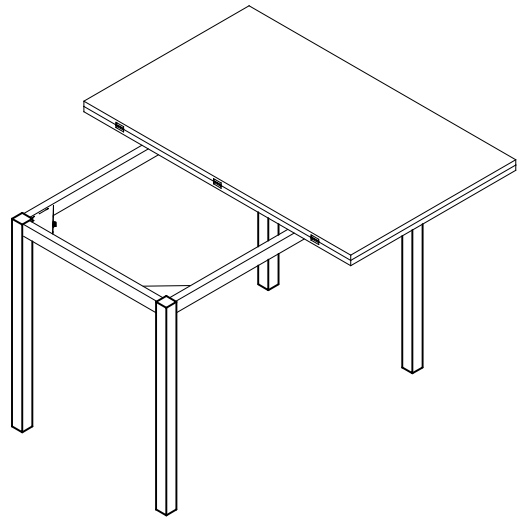
(2)



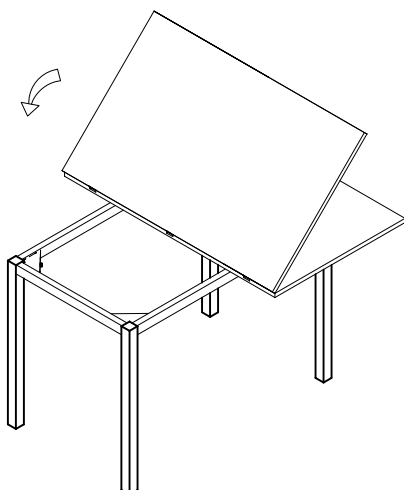
(3)



(4)



(5)



(6)

