

Find The Perfect Fit For Your Wrist

Medium to Large Wrist

The wrist of this model is considered as large.

*This wrist has a 190mm circumference.

29mm (Mini)

The 29mm seems to be too small for bigger wrists



29mm



36mm



40mm



40mm (Curve)



The 40mm looks great on large wrists! Compared to smaller wrists where it looks too bulky.

If you are still not satisfied with the fit of your Solios, we offer a 30-day return window*.

*Some conditions may apply

Find The Perfect Fit For Your Wrist

Small to Medium Wrist

The wrist of this model is considered as medium.

*This wrist has a 155mm circumference.

29mm (Mini)

The 29mm seems to be the perfect fit for small wrists!



29mm



36mm



40mm



40mm (Curve)



The 36mm is more versatile! It looks good on both large and small wrists.

If you are still not satisfied with the fit of your Solios, we offer a 30-day return window*.

*Some conditions may apply

More Information On The Dials



29mm
(Mini)



36mm



40mm

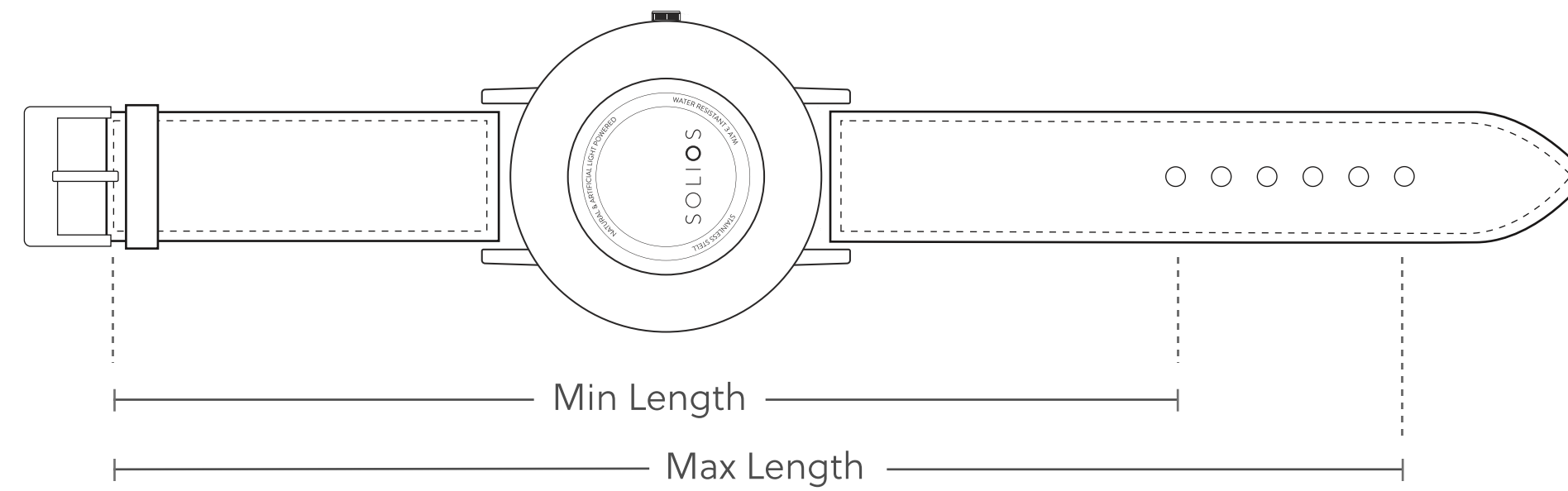


40mm
(Curve)

	29mm Mini Solar	36mm Solar	40mm Solar	40mm Curve
Watch Diameter	29mm	36mm	40mm	40mm
Strap Width	12mm	18mm	20mm	18mm
Case Thickness	6.50mm	8mm	8mm	10mm

In order to measure the size of your wrist, we recommend using a string. Wrap the string around your wrist, take a felt-tip pen to mark where the two ends meet and lay the string along its length on a ruler. This will tell the size of your wrist and help you determine the size of the dial.

Will The Watch Fit My Wrist?

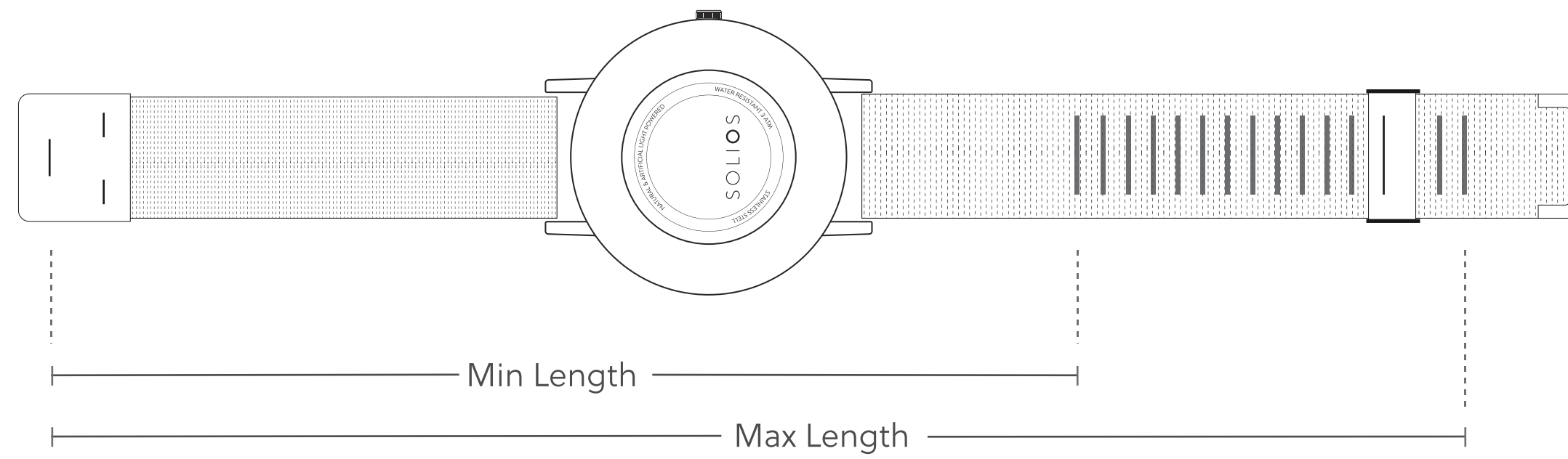


Solar with Eco Vegan Leather Strap*

	29mm Mini Solar	36mm Solar	36mm Solar with longer strap	40mm Solar	40mm Curve	40mm Curve with longer strap
Minimum Length	145mm	151mm	167mm	165mm	165mm	171mm
Maximum Length	186mm	200mm	216mm	214mm	214mm	220mm

*There's always a possibility to add a hole on your eco vegan leather strap, but this service is not offered nor guaranteed by Solios.

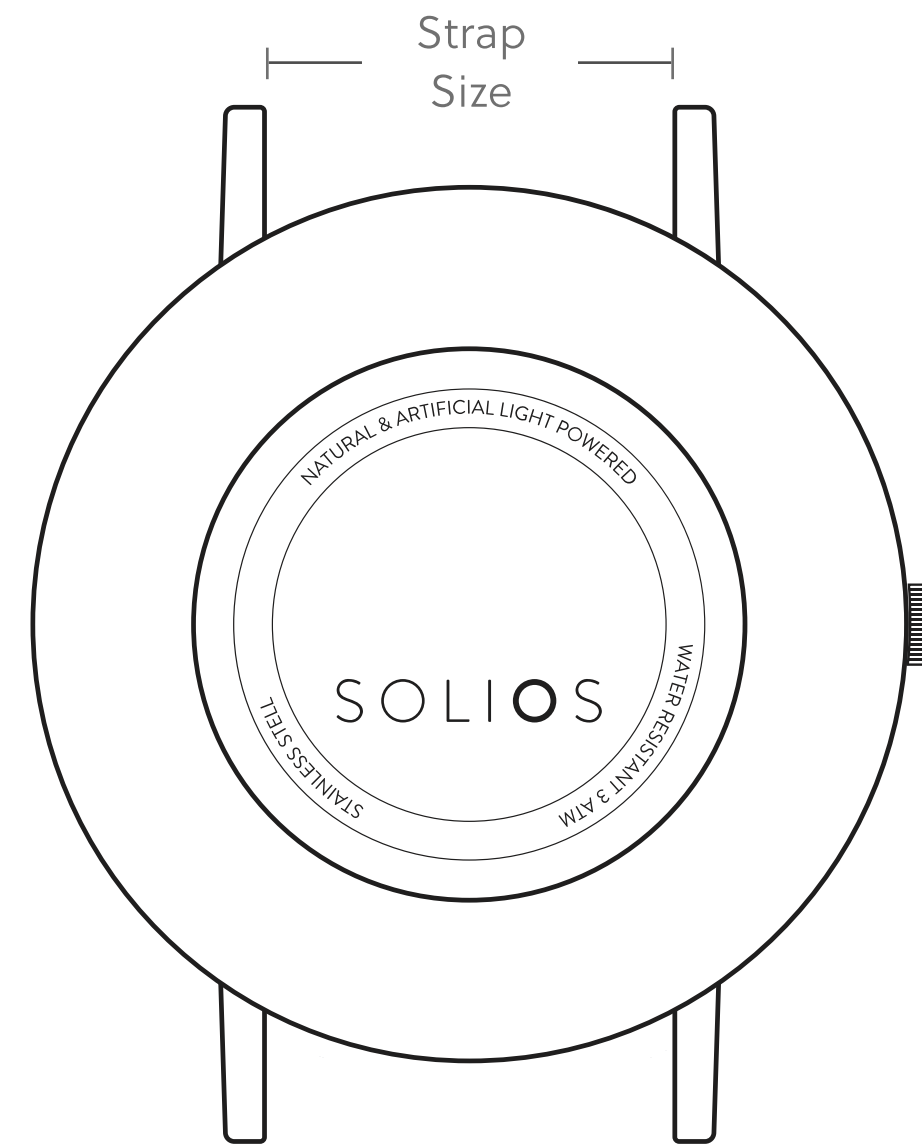
Will The Watch Fit My Wrist?



Solar with Mesh Strap

	29mm Mini Solar	36mm Solar	36mm Solar with longer strap	40mm Solar	40mm Curve	40mm Curve with longer strap
Minimum Length	156mm	125mm	153mm	163mm	135mm	163mm
Maximum Length	198mm	188mm	206mm	215mm	198mm	215mm

Which Strap Size Will Fit My Solios?



Dial Size	Strap Size
29mm (Mini)	12mm
36mm	18mm
40mm	20mm
40mm (Curve)	18mm

When ordering your extra strap please make sure to choose the proper buckle colour according to the colour of your watch case.