

LifeSmart®

Simply Brilliant

Cololight Strip

Setting up your LifeSmart Cololight Strip

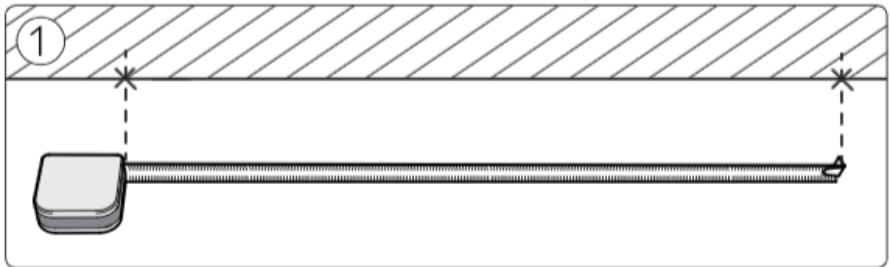
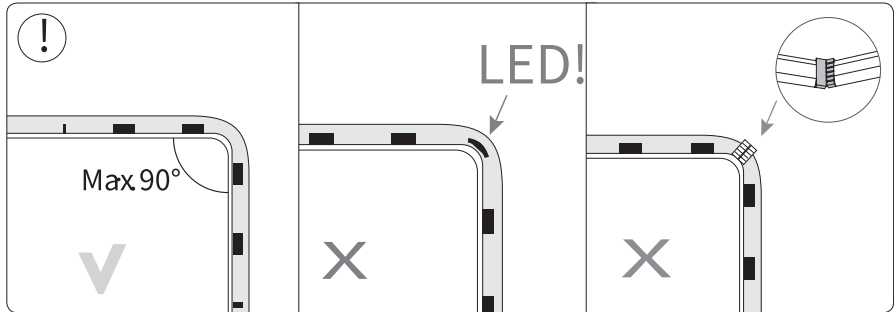
User Guide V1.0

PRODUCT INTRODUCTION

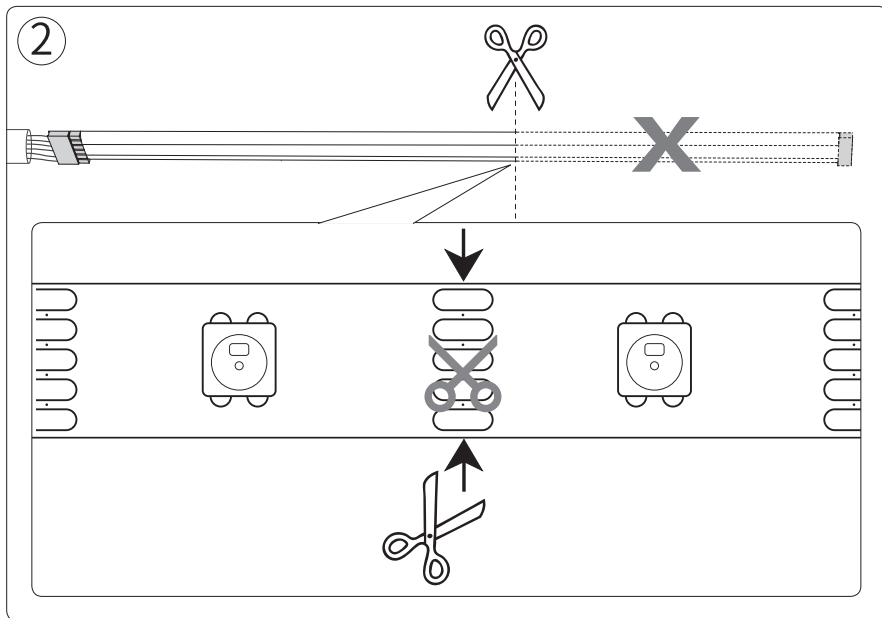
Cololight Strip can sync with music and create colorful and vivid light effects for your room ambiance. It can meet all your imagination about lighting atmosphere with free alterability of lighting brightness, color, schedule, effect and strip length.

The compatibility with Apple HomeKit, Google Assistant and Amazon Alexa will spice up your light strip control of party, cabinet, game desk, kitchen, etc.

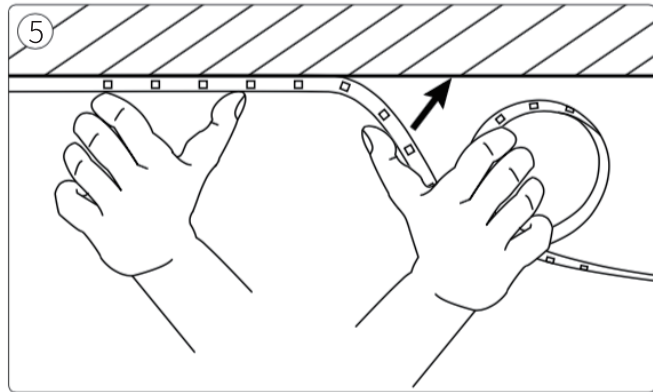
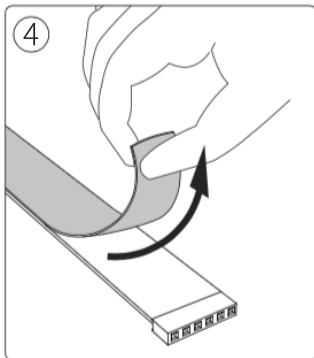
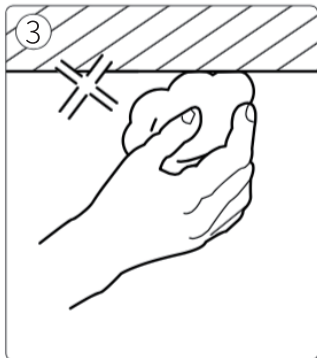
INSTALLATION INSTRUCTION



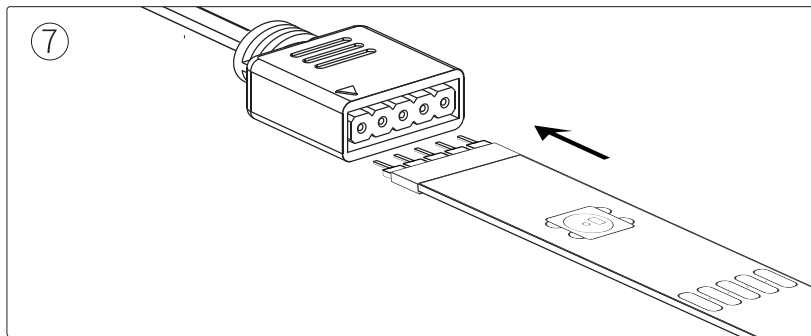
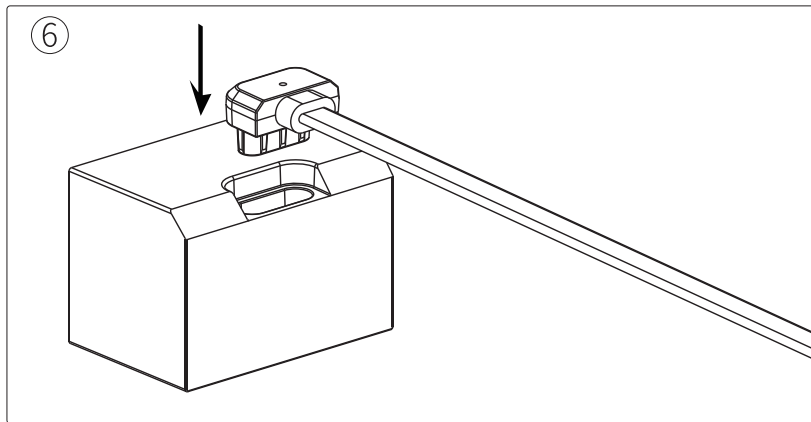
INSTALLATION INSTRUCTION



INSTALLATION INSTRUCTION

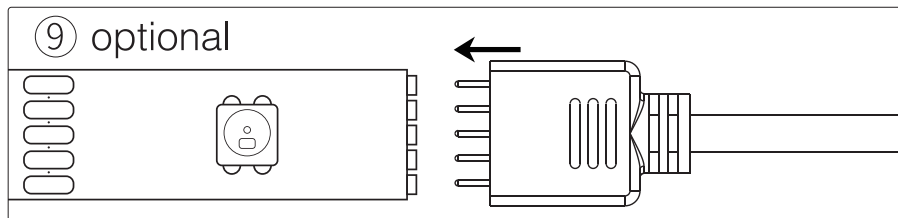
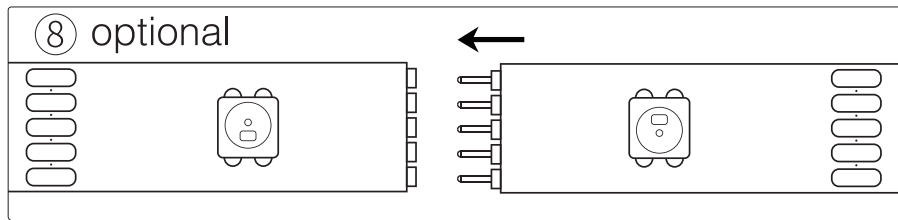


INSTALLATION INSTRUCTION

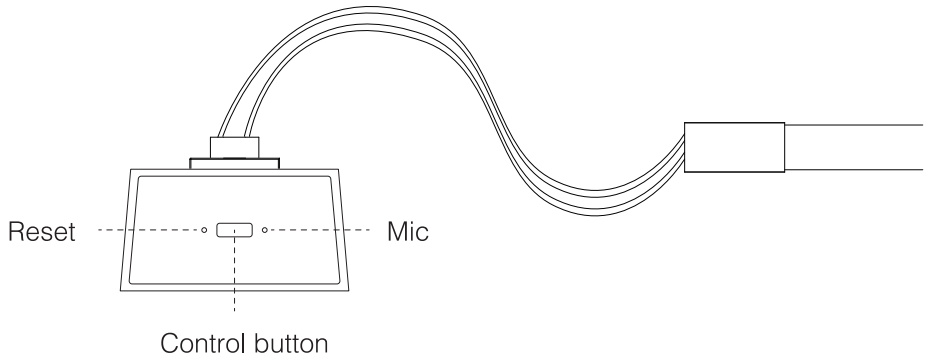


INSTALLATION INSTRUCTION

The 5V 2A power supply of the Controller unit PLUS can only support 2 meter light strip for 60 LEDs/m or 4 meter light strip for 30 LEDs/m. If there are more light strips, please connect them together and provide additional power with power supply line.



INSTALLATION INSTRUCTION



Reset method: Press and hold the reset hole until the green indicator light on the controller flashes. Release the button and the device will reboot. Wait about 10 seconds for the device to reboot successfully and complete the reset.

SPECIFICATIONS

Controller Size	46.5x30.5x28mm
Controller weight	54g
Power cable length	1m
Communication protocol	Wi-Fi
Operating frequency	2.4GHz (5GHz not supported)
Input	DC 5V 2A
Operating temperature	-5~45°C
Operating humidity	5~90%
Controller Material	ABS+PC
Power consumption	≤6W/m, Static 0.3W
Control mode	App/Voice/Control button

APP INSTRUCTION

Scan QR code or input following URL in your mobile browser to download App.

http://www.ilifesmart.com/getapp_qlgp.html

Visit the iOS App Store or Google Play and search for Cololight.

Pair up COLOLIGHT with your mobile device according to the instruction on App.



NOTE

Please check the FAQ in the Cololight App if you have any problems.

NOTICE

- 1.** Controlling this HomeKit-enabled accessory automatically and away from home requires a HomePod, an Apple TV with tvOS 10.x or later, or an iPad with iOS 10.x or later set up as a home hub.
- 2.** Use of the Works with Apple HomeKit badge means that an electronic accessory has been designed to connect specifically to iPod touch, iPhone, or iPad, respectively, and has been certified by the developer to meet Apple performance standards. Apple is not responsible for the operation of this device or its compliance with safety and regulatory standards.
- 3.** For full functionality, please turn to Cololight APP

WARNING

This product contains small parts that can cause danger if swallowed by children.

This product is not suitable for children under the age of 3.

Children under the age of 14 must use this product under parental supervision.



HAZARDOUS SUBSTANCE TABLE

Part Name		Grey plastic shell	Code Label	IC Body
Harmful Substance	(Cd)	○	○	○
	(Pb)	○	○	○
	(Hg)	○	○	○
	(Cr)	○	○	○
	(Br)	○	○	○

This table is made according to IEC 62321 test standard.

- Expresses that this hazardous substance in all homogeneous materials of this part is within limit range.
- ✕ Expresses that this hazardous substance in at least one homogeneous material of this part is above limit.

WARRANTY DESCRIPTION

Thank you for purchasing this LifeSmart product. In order to protect your rights, please read the following content carefully: The warranty period of our company's products is one year from the date of purchase or longer if local laws impose a longer minimum term, in which case the minimum term is the warranty period. During the warranty period, any faults caused by the product itself or for quality problems that arise under normal usage, LifeSmart will provide a free replacement.

ATTENTION

The following conditions are not covered by the warranty:

- Product failure or damage caused by installation, use, and maintenance that is not in accordance with the product instructions;
- Products beyond the warranty period;
- Products that have the barcode tampered with or removed;
- Devices that have been tampered with or customized outside of LifeSmart Terms of Service as on the LifeSmart App and website;
- User-caused damage, such as inappropriate voltage input, high temperature, accidental spillage, physical damage, etc;
- Product failure or damage caused by force majeure such as earthquakes, fires, or floods;

ATTENTION

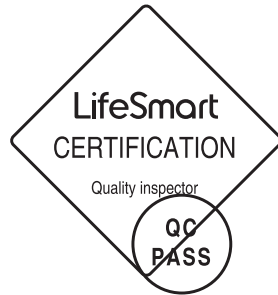
- Product failure or damage caused by other problems except the product itself.

User support e-mail address

support@ilifsmart.com

Website

www.ilifsmart.com



Manufacturer: HANGZHOU LIFESMART TECHNOLOGY CO.,LTD.

Address: 10-11th Floor, Building A, SUPCON Information, 352 Bingkang Road Binjiang, Hangzhou, Zhejiang, China

DECLARATION

LifeSmart is a trademark of Hangzhou LifeSmart Technology Co., Ltd. As for the trademarks, product logos and product names from other companies presented within this manual, they are possessed by their own right holders. Without our written permission, no entity or individual shall extract, copy or disseminate in part or the whole of the manual contents in any form. Due to product version upgrades or other reasons, content of this manual may change. Our company reserves the right to change the contents of this manual without any notice.

DECLARATION

NOTE: The grantee is not responsible for any changes or modifications not expressly approved by the party responsible for compliance. Such modifications could void the user's authority to operate the equipment.

NOTE: This equipment has been tested and found to comply with the limits for a Class B digital device, pursuant to part 15 of the FCC Rules. These limits are designed to provide reasonable protection against harmful interference in a residential installation.

This equipment generates uses and can radiate radio frequency energy and, if not installed and used in accordance with the instructions, may cause harmful interference to radio communications. However, there is no guarantee that interference will not occur in a particular installation. If this equipment does cause harmful interference to radio or television reception, which can be determined by turning the equipment off and on, the user is encouraged to try to correct the interference by one or more of the following measures:

- 1) Reorient or relocate the receiving antenna.
- 2) Increase the separation between the equipment and receiver.

DECLARATION

- 3) Connect the equipment into an outlet on a circuit different from that to which the receiver is connected.
- 4) Consult the dealer or an experienced radio/TV technician for help.

RF EXPOSURE STATEMENT

This equipment complies with FCC radiation exposure limits set forth for an uncontrolled environment. This equipment should be installed and operated with minimum distance of 20 cm between the radiator and your body.

DECLARATION OF CONFORMITY

Hereby, LifeSmart declares that the radio equipment type is in compliance with Directive 2014/53/EU. The full text of the EU declaration of conformity is available at the following internet address:

<http://global.ilifsmart.com/ce/docs/>



Notice: This device may be used in each member state in EU.

DECLARATION

WEEE Directive Compliance

Device labelled with this symbol should not be disposed with other household wastes. It shall be handed over to the applicable collection point for the recycling of waste electrical and electronic equipment.



 Facebook: [ilifesmarthome](#)  Twitter: [ilifesmarthome](#)

Copyright © 2020 LifeSmart Inc. All Rights Reserved.

P/N: 88007240 A0