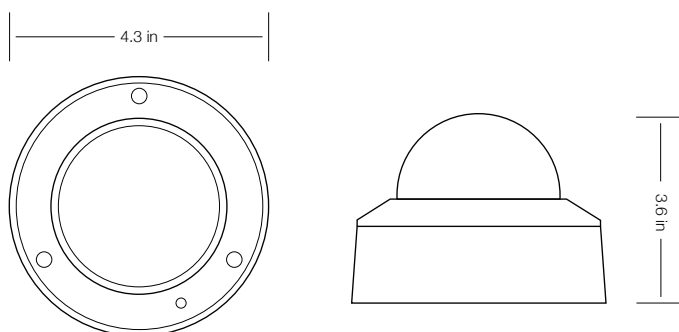


# Latch 5MP Dome Camera

## Specifications

### Dimensions

---



### Features

---

H.265 compression technology

30 fps @ 1920x1080 (WDR Pro on)

2.8~12 mm, remote focus

SNV (Supreme Night Visibility) for low light conditions

WDR Pro for unparalleled visibility in extremely bright and dark environments

Built-in IR illuminators, effective up to 30 meters

Trend micro IoT security

Weather-proof IP66-rated and vandal-proof IK10-rated housing

Built-in micro SD /SDHC/SDXC card slot for on-board storage

Built-in microphone

---

## System Information

---

Model	MDC450
CPU	Multimedia SoC (system-on-chip)
Flash	256MB
RAM	512MB
Storage	256GB SD card

## Camera Features

---

Image Sensor	Type 1 / 2.8 CMOS
Max. Resolution	1920x1080 (5MP)
Lens Type	Fixed
Focal length	2.9mm
Aperture	F2.0
Auto-Iris	Fixed-iris
Field of View	Horizontal: 99 deg Vertical: 56 deg Diagonal: 114 deg
Shutter Time	1/5 second to 1/32,000 second
WDR Technology	WDR Pro
Day/Night	Yes
IR Illuminators	Built-in IR illuminators up to 5 meters
Pan Range	+/- 166 degrees
Tilt Range	0-70 degrees
Rotation Range	+185/-167 degrees
On-board Storage	Slot type: MicroSD/SDHC

## Video

---

Video Compression	H.265, H.264, MJPEG
Maximum Frame Rate	30 fps @ 1920x1080
S/N Ratio	68 dB
Dynamic Range	120 dB
Video Streaming Adjustable resolution	Adjustable resolution, quality, and bitrate
Image Settings	Power line frequency (50/60Hz), White Balance, Brightness, Sharpness, Contrast, Saturation

## Network

---

Protocols	TCP/IP, HTTP, HTTPS, DHCP, uPnP, NTP, RTP, RTCP, RTSP, DNS
Interface	10 Base-T/100 Base-TX ethernet (RJ-45) *We recommend using standard CAT5e & CAT6 cables to comply with the 3P/ETL standard.
ONVIF	Not supported

## General

---

<b>Connectors</b>	RJ-45 cable connector for 10/100Mbps network/PoE connection
<b>LED indicator</b>	System power and status indicator
<b>Power Input</b>	PoE Class 3
<b>Power Consumption</b>	Max. 5.36W (IR on) Max. 2.4W (IR off)
<b>Dimensions</b>	4.33" (diameter) x 3.62" (height)
<b>Weight</b>	330g
<b>Casing</b>	IP66, IK10
<b>Safety Certifications</b>	CE, FCC Class B, UL, LVD
<b>Operating Temperature</b>	Day mode: -20C - 50C (-4F - 121F) Night mode: -20C - 40C (-4F - 104F)
<b>Humidity</b>	Operating: 80% Non-condensing Storage: 90% Non-condensing
<b>Warranty</b>	12 months
<b>Storage Temperature</b>	-40C - 70C (-40F to 158F)

## Included Accessories

---

<b>Other</b>	Quick installation guide, alignment sticker, screw pack, and cable gland
--------------	--

---