

1021AB2 / 1022AB2 / 1023AB2 / 1021B2 /
1025series / 1028series / 1071 / 1072 / 1030

Beautician stool

Welcome to use our beautician stool. A1
Please read the user manual carefully before using the product.

1、About This Manual

This manual shall only be used for the reference of operation of this particular model. If the manual is used for other purposes, SILVERFOX will not undertake any according consequences and responsibility. All information of this manual shall be protected by copyright and shall not be copied and translated in any part of this specification without the written consent of our company SILVERFOX.

2、Warning

- Do not stand on the product.
- Do not allow children play with the product.
- Do not place the equipment in damp places such as bathroom, do not expose to direct sunlight.
- Do not use this product in the places where you are painting/spraying paints.

3、Precautions

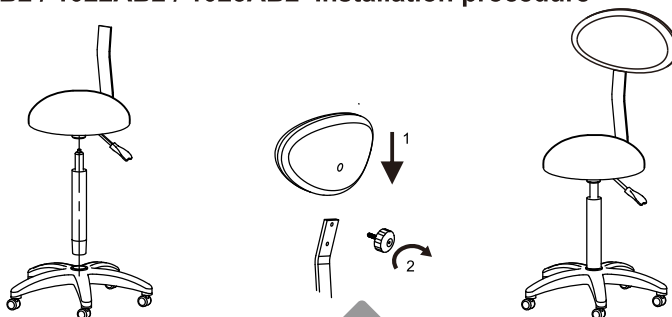
- Operators should use this product in strict accordance with the instructions, and save this manual for future reference.
- Comply with safe operating procedures, do not overload. Make sure the components of the product are in good condition, eliminate the unsafe factors.
- Tighten the casters, backrests, and the seat regularly, to avoid malfunctions caused by loose or falling parts.
- This product must not be used under faults. When abnormal phenomena or abnormal sounds are found, please check about it immediately. Use after problem solved.
- Operator should be familiar with the precautions described in each chapter of the product manual to ensure personal and product safety.
- Please place the equipment on a level ground.
- If the casters are damaged, please replace them before use.
- After each treatment, use a neutral reagent to remove the dust and stains on the leather and wood.
- Put the product to a proper location, according to the overall layout, the daylighting or artificial lightings and operation condition of the working environment. And keep it in the clean, dry and cool environment.

4、Assembly and Operation

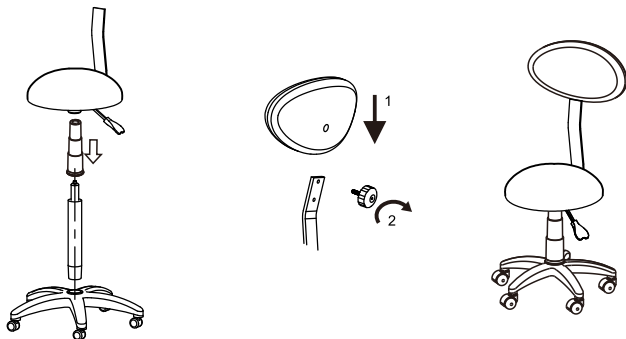
1. Put the product to a proper location, according to the overall layout, the daylighting or artificial lightings and operation condition of the working environment. And keep it in the clean, dry and cool environment.
2. Open the packing carton to check if the bed is intact and whether the accessories or spares are complete. Please contact distributor or us if there's any problem.
3. Installation

This product graphic is only for display, the specific product structure please refer to the actual product.

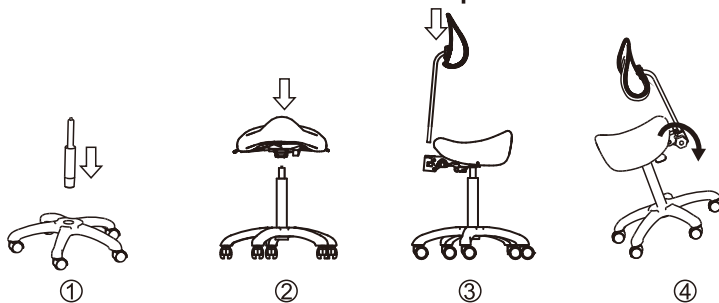
1021AB2 / 1022AB2 / 1023AB2 Installation procedure



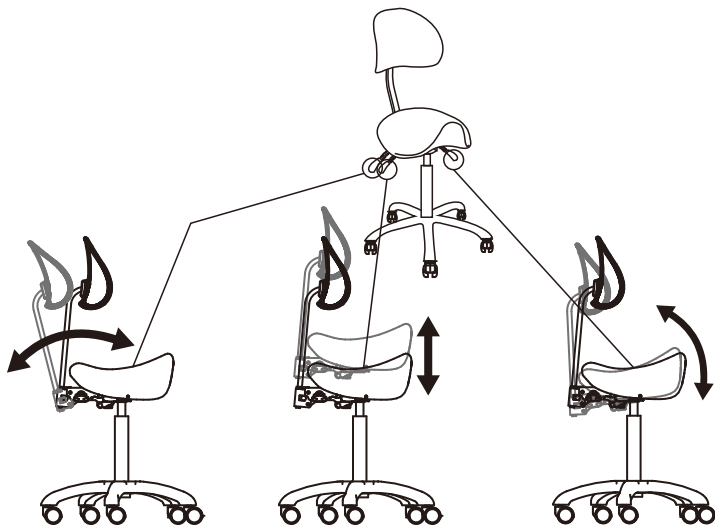
1021B2 Installation procedure



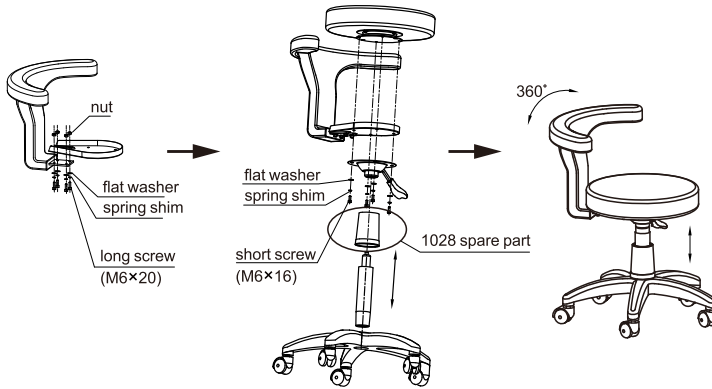
1025 / 1025A / 1025B / 1025C Installation procedure



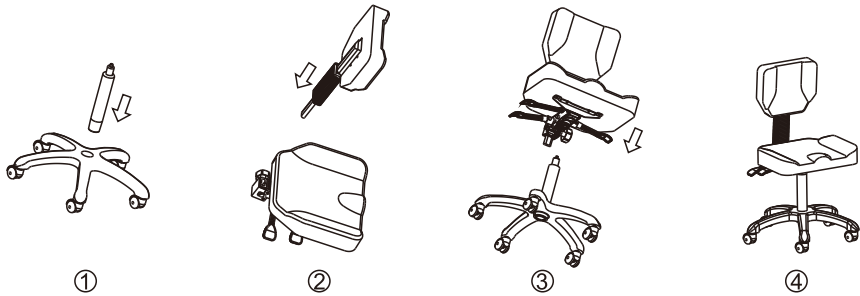
1025 / 1025A / 1025B / 1025C Operation Instructions



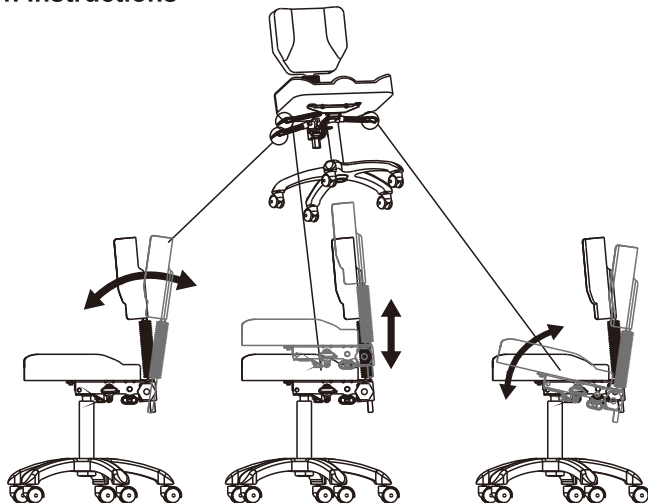
1028 / 1028A Installation procedure



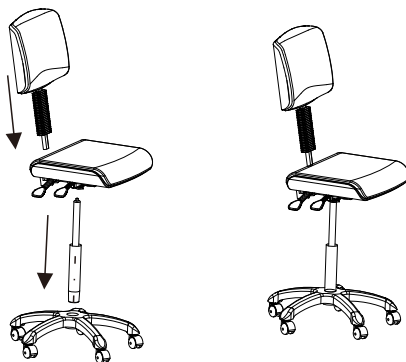
1030 Installation procedure



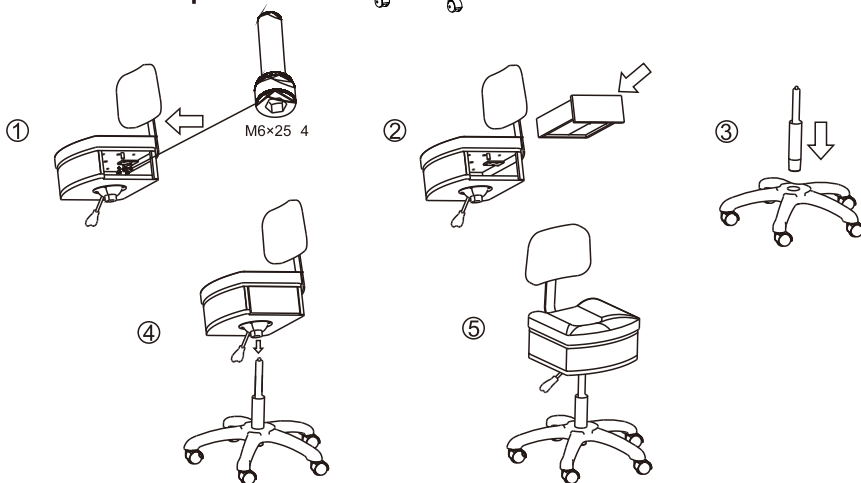
1030 Operation Instructions



1071 Installation procedure



1072 Installation procedure

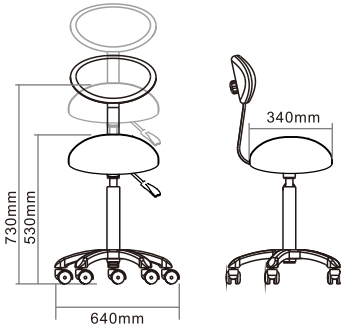


5. Technical Parameters

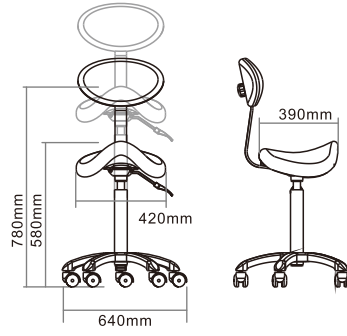
The product illustrations in this manual are based on the configuration parameters of standard gas lift. If it is equipped with another optional gas lift, the parameters are subject to the actual product.

Lifting Rated Load	175 kg
Package Size	590×280×580mm (1021AB2 / 1022AB2 / 1023AB2) 550×280×550mm (1021B2) 590×300×600mm (1025/1025A/1025B/1025C/1028/1028A/1030) 635×340×595mm (1071) 590×330×580mm (1072)
Net Weight	8.5kg (1021AB2) , 7.5kg (1022AB2 / 1023AB2) , 7kg (1021B2) 9.3kg (1025 / 1025A / 1025B / 1025C / 1028 / 1028A / 1030) 11.8kg (1071) , 10.7kg (1072)
Gross Weight	9.5kg (1021AB2) , 8.5kg (1022AB2 / 1023AB2) , 8kg (1021B2) 11.2kg (1025 / 1025A / 1025B / 1025C / 1028 / 1028A / 1030) 13.8kg (1071) , 13.1kg (1072)

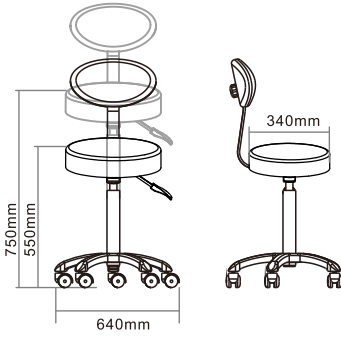
1021AB2



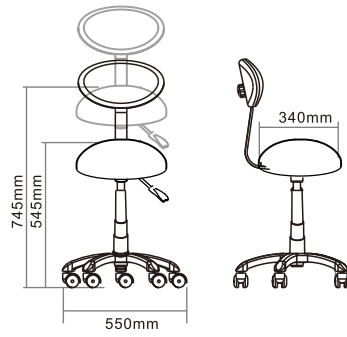
1022AB2



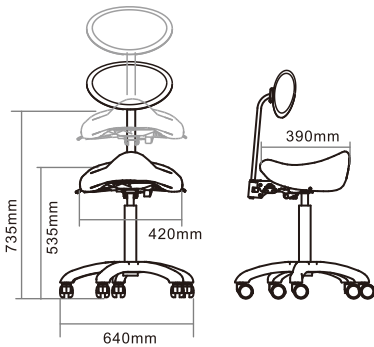
1023AB2



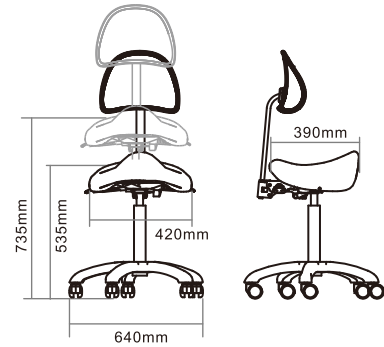
1021B2



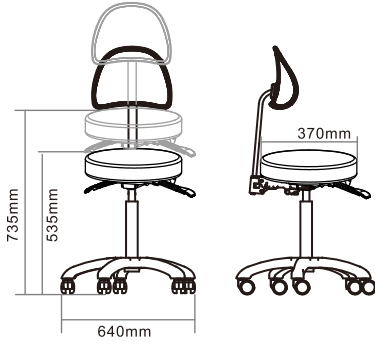
1025



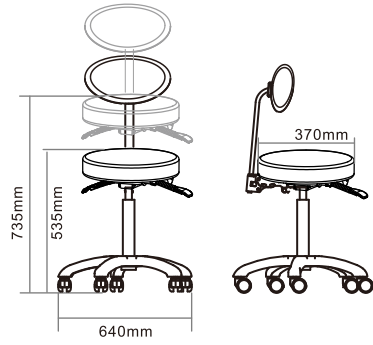
1025A



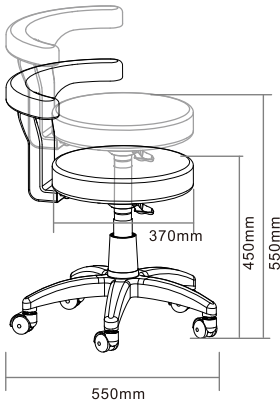
1025B



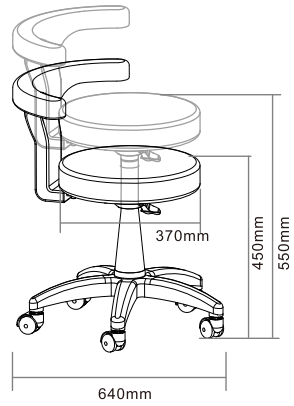
1025C



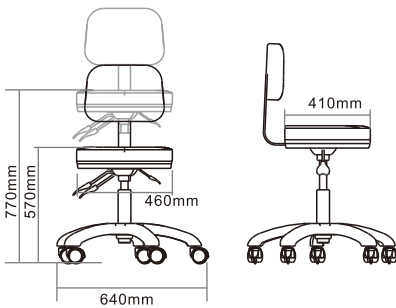
1028



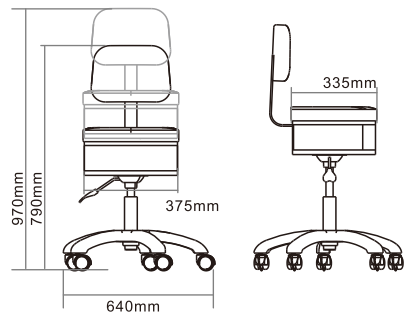
1028A



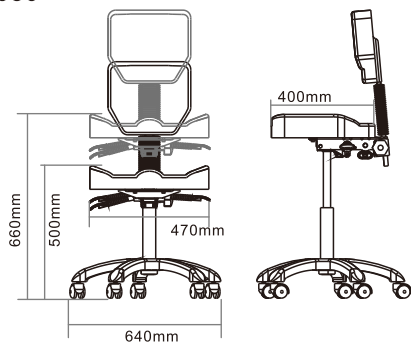
1071



1072



1030



6. Maintenance

If there is grease, please wipe the surface with clean water and neutral reagent, and use a soft cloth to remove dust and stains. It is forbidden to use alcohol, strong acid, strong alkali and other solvents to prevent premature deterioration of plastic parts.

7. Troubleshooting

Not working properly	1.Can't raise or lower the stool.	1.Replace the gas lift.
	2.Casters cannot rotate or move.	2. Replace the caster.

If problem is still not solved after above operations, please contact maintenance center or supplier to solve it.

▲ Please check the product specification before use. This manual is for reference only. Specifications are subject to change without prior notice.