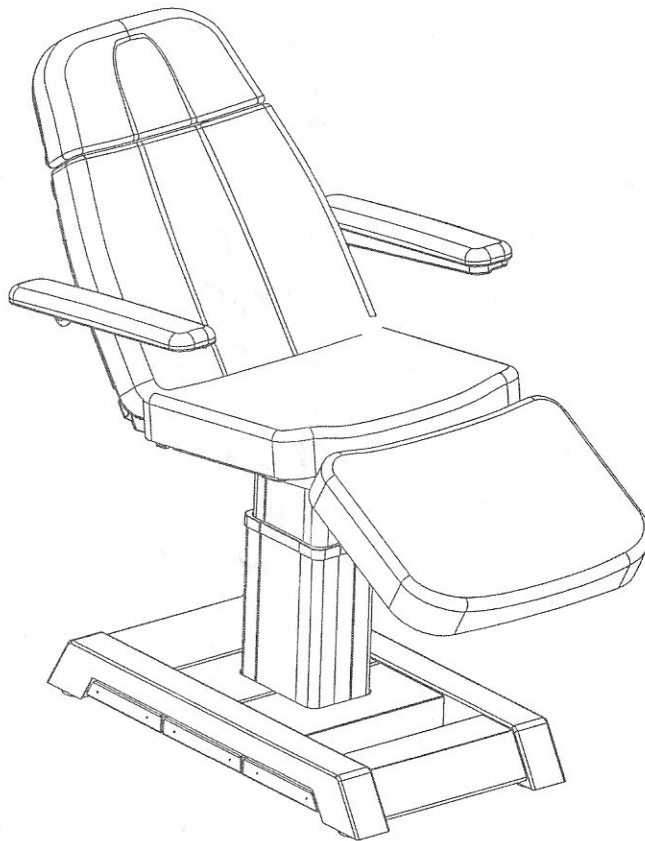


# 2218B Electric Beauty Bed

# User Manual



Welcome to use our 2218B series Electric Beauty bed  
Please read the user manual carefully before using the bed.

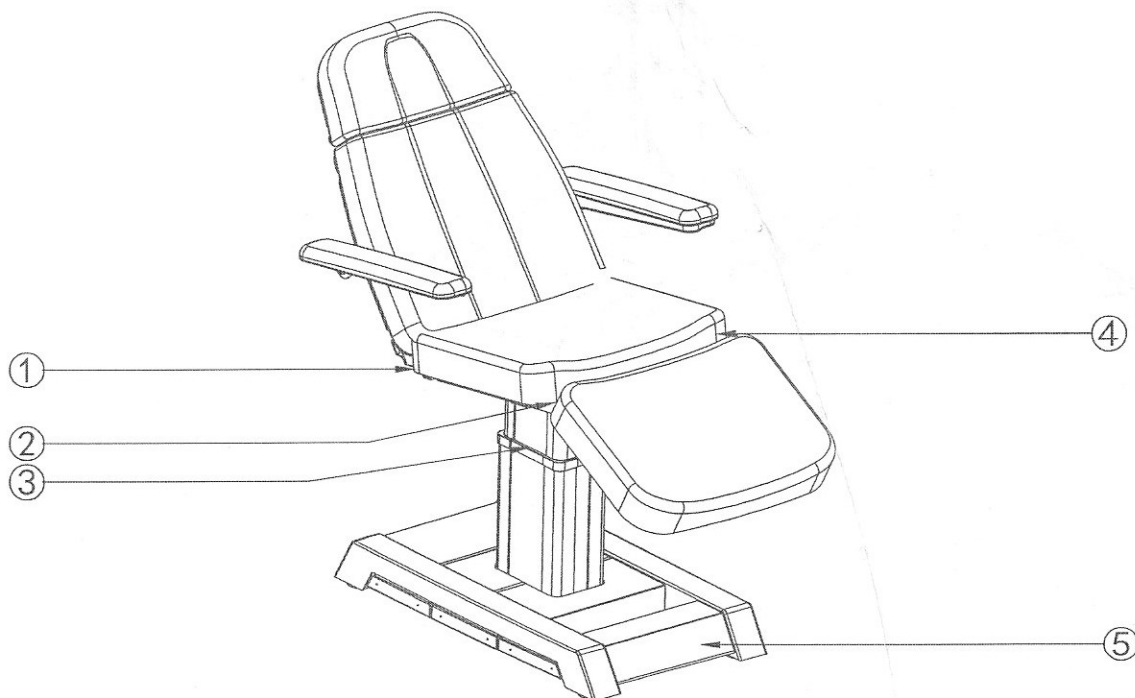


## 1.Warning

- Power supply must be cut off before maintenance.
- The plug shall be plugged into the outlet properly. The outlet must be grounded.
- Do not stand on this equipment.
- Keep children away from the equipment and never leave a child alone in the treating room. Please adjust the backrest to straight position when you leave.
- Please do not place the equipment in places where there is painting/coating or oxygen providing during operation.
- Unless being monitored or instructed by personnel who can be responsible for their personal safety, people who has physical obstacles, tactile disorders, mental disorders, lacking of experience are not allowed to use the equipment.
- Please contact distributor, service center or related personnel with has appropriate skill and experience for repairing if the plug is damaged, in case of any dangerous.
- Maintenance should be processed by trained professionals.

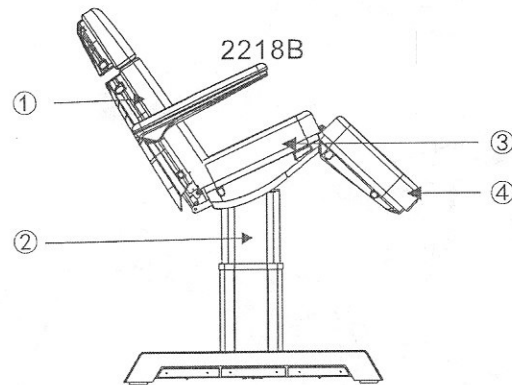
## 2.Precautions

- Read this manual carefully before installation, operation and adjustment. And please keep it well.
- When adjusting the backrest, seat cushion, footrest or the height of the whole bed by manual controller or foot control switch, please keep your hands, feet and head away from the position①②③④⑤ showing on below photo to avoid getting hurt.
- While controlling the height of the whole bed, the button must be pressed continuously until the bed is in a suitable position.
- The maximum working intensity of the motor is 6min/h (motor cannot run continuously over 6 minutes per hour)
- Maintenance should be processed by trained professionals. After each treatment, please use neutral reagent to clear the upholstery.



### 3. Structure of electric beauty bed

This Beauty Bed includes backrest adjustment, seat inclination and the lifting adjustment, footrest adjustment. (Details as shown below)



- ① angel adjustment of the backrest
- ② lifting adjustment of the whole bed
- ③ angel adjustment of the seat inclination
- ④ angel adjustment of the footrest

### 4. Applicable Range

This Electric Beauty Bed is suitable for beauty and massage treatment.

### 5. Installation

1) Put the bed to a proper location, according to the overall layout, the lighting or operation condition of the salon's. And keep it in the clean, dry and cool operating environment.

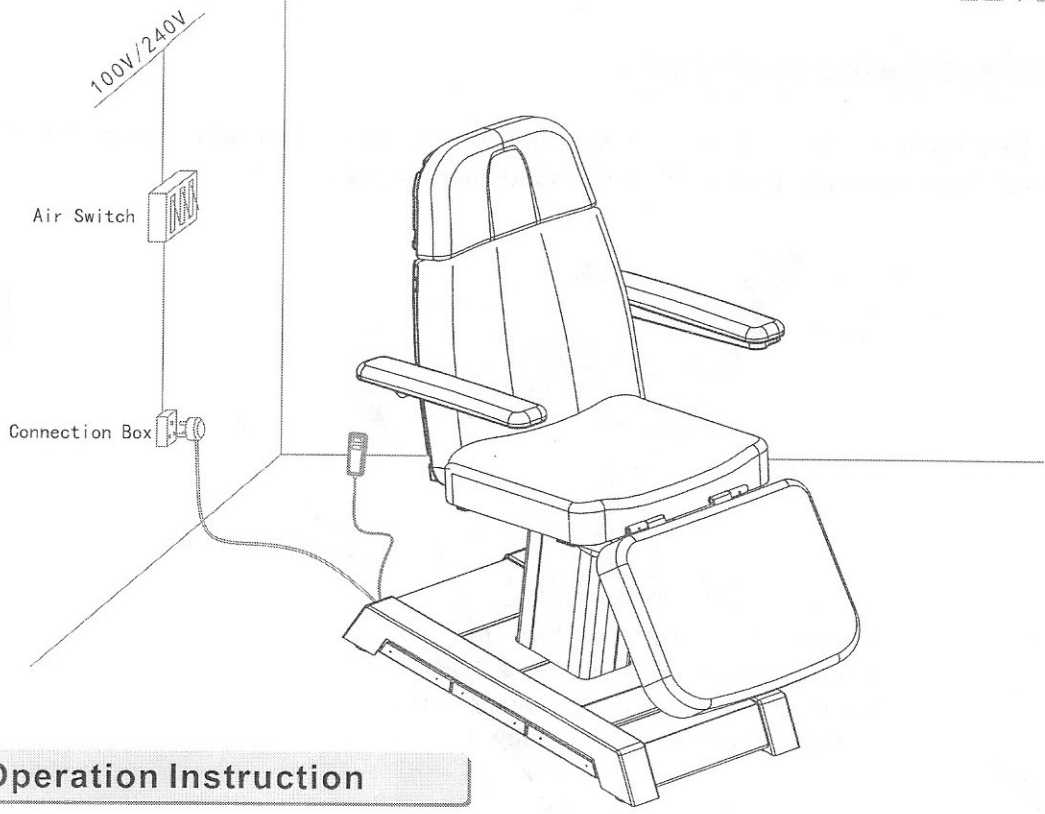
#### 2) Unpacking Inspection

Check the carton before open it, in case any damage on the carton, please report it to the distributor or manufacturer. After opening the packing carton, check if the bed is intact and whether the accessories or parts are complete. Please contact distributor or manufacturer if there's any problem.

#### 3) Installation

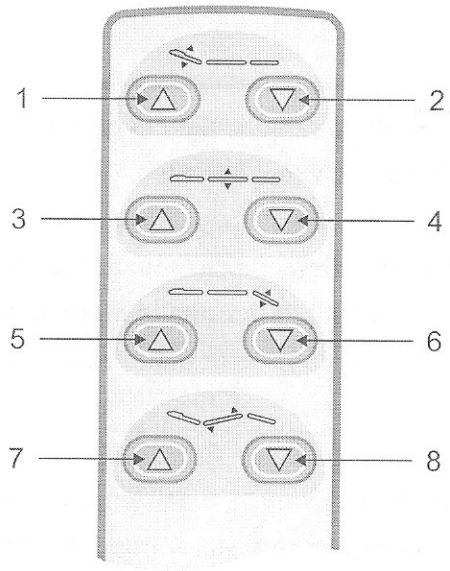
Place the bed to the proper position. Please note that it is unnecessary to install extra screw on the floor to fasten the bed, because the original design has taken the stability performance into consideration. But please ensure the bed is placed on a firm and flat ground. If the bed rotates or slant due to rough ground, Please adjust the four pieces of plastics feet (M10 x30) and nuts (M10) by hexagon wrench, which are fasten on the bottom panel, so as to ensure the bed is stable.

4) Plug the bed on the power supply properly. (Details as shown below)

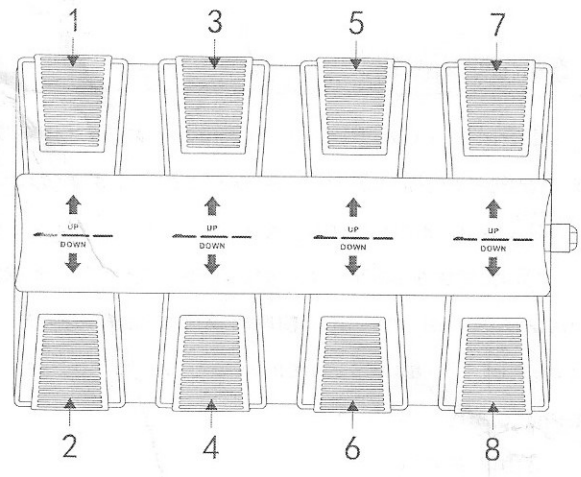


### 6. Operation Instruction

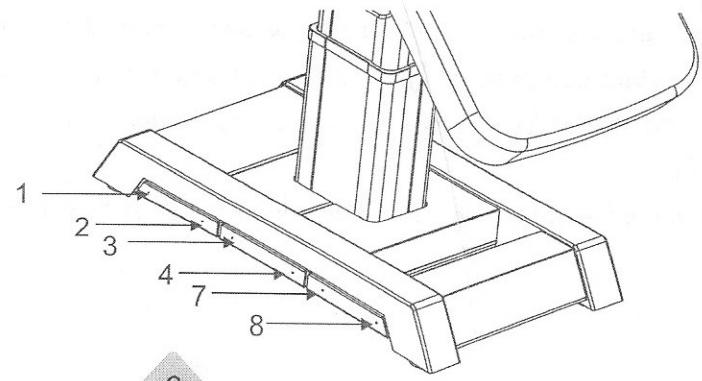
1. Standard Configuration  
(Instruction of Hand Controller)



2. Operation Configuration  
(Foot Controller)



3. Standard Configuration configuration  
(Foot controller)

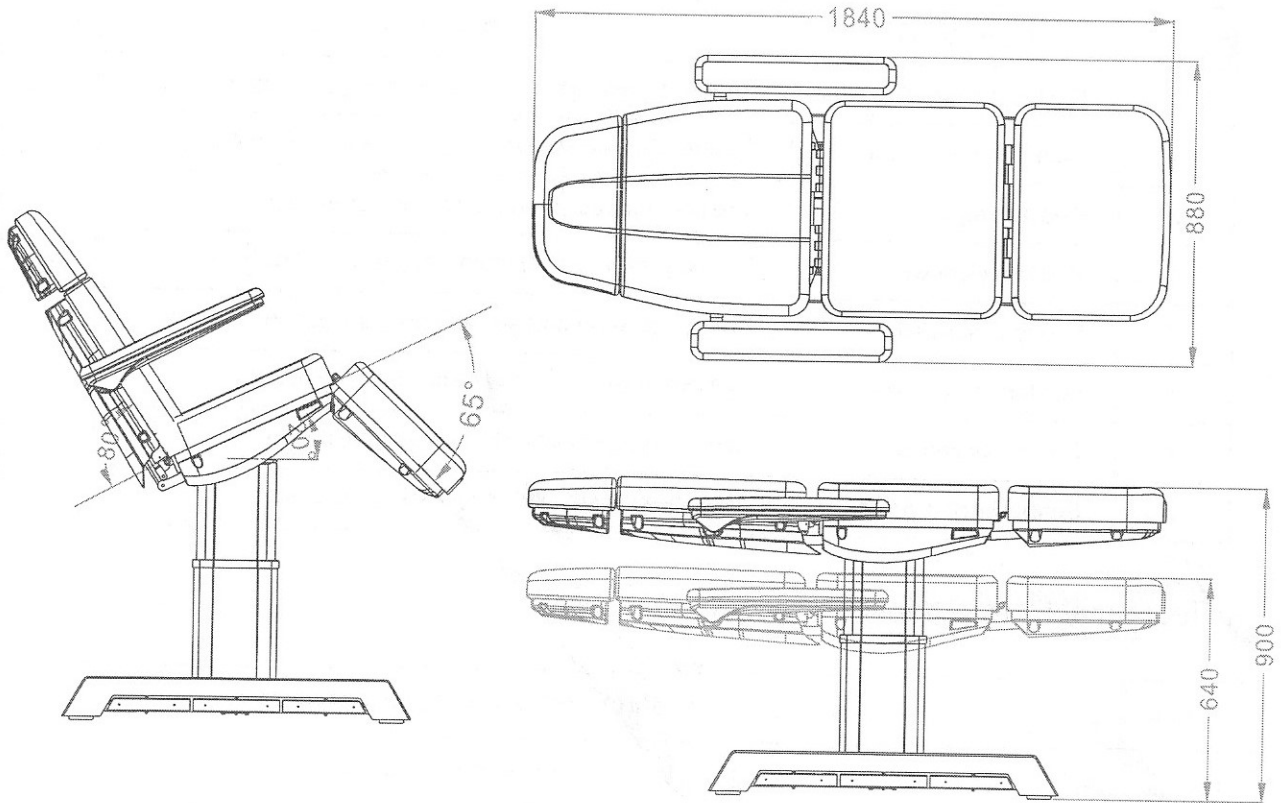


	Description	Operation
1	Backrest moves up	Backrest goes up smoothly by pressing the button
2	Backrest moves down	Backrest goes down smoothly by pressing the button
3	Bed moves up	The bed goes up smoothly by pressing the button
4	Bed moves down	The bed goes down smoothly by pressing the button
5	Footrest moves up	Footrest rises smoothly by pressing the button
6	Footrest moves down	Footrest downs smoothly by pressing the button
7	Seat inclination up	Seat inclining smoothly by pressing the button
8	Seat inclination down	Seat goes flat smoothly by pressing the button

## 7. Technical Parameters

Product size	1850(L) × 880(W) × 640(900) (H) ± 10% mm
Package size	1410 × 690 × 670 mm
The highest position	640 ± 10% mm
The lowest position	900 ± 10% mm
Angle adjustment of the backrest	0° ~ +80° ± 2%
Angel adjustment of seat inclination	0° ~ 20° ± 2%
Net weight	98 kg
Gross weight	108 kg
Power	AC 100-120V ,50/60Hz or AC 220-240V,50/60Hz
Maximum power	300W
Environment temperature	0°C ~ +40°C
Relative Humidity	30% ~ 90%
Lifting Rated Load	175 kg

2218B

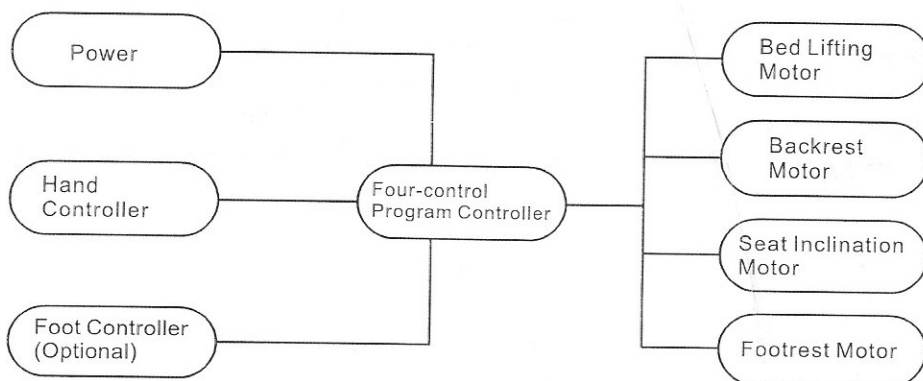


### 8. Maintenance

- 1) After every treatment, please use neutral reagent to clean the dust, stains on leather or the hardware. This is to prevent premature aging of the leather, plastic cover and wood pieces.
- 2) Moving parts should be regularly lubricated (one year).

### 9. Circuit System Connection Diagram

AC 100-120V, 50/60Hz 或 AC 220-240V, 50/60Hz



### 10. Configuration fo PLC& Manual control panel

NO.	MODEL	PLC	Manual control panel
1	2218B	C-004A-D	HS-01-A1-D

### 11. Troubleshooting

The Fault Phenomenon	Reason	Improvement
Can't rise or down normally	1. The power cord is unconnected or not plugged well	1. Connect the power cord or plug it well
	2. Poor quality of the manual controller	2. Replace the manual controller
	3. Poor quality of the foot control switch	3. If problem is still not solved after replacing the manual controller or foot control switch, please contact maintenance center or supplier for troubleshooting.
	4. Poor quality of the controller box	
	5. Rupture of motor tail	
	6. Motor detonation	
Abnormal Sound	1. The rotating parts lack of lubricating oil	1. Add lubricating oil
	2. Rotating position (such as hinge, P, O, M sets) Lack of lubricating oil	2. Add lubricating oil
	3. Motor quality problems	3. Replace the motor

Please check and verify products specifications before using. This user manual is only used for reference. The product specifications will be subject to change or update without further notice.

