

# SHOPPRIDER®



## Codiz

Model: S-889SL

USER MANUAL

*Please ensure that this manual is read and understood before using the scooter.*



<b>Contents</b>	<b>Page</b>
<b>Introduction</b>	<b>3</b>
<b>Intended Use</b>	<b>3</b>
<b>Feature Guide</b>	<b>4</b>
<b>Safety Advice</b>	<b>5</b>
<b>Adjustments</b>	
• Tiller angle	<b>6</b>
• Seat slide	<b>6</b>
• Seat swivel	<b>6</b>
• Seat height	<b>6</b>
• Armrest width	<b>7</b>
• Dis-assembly	<b>7</b>
<b>Tiller Controls</b>	<b>8 &amp; 9</b>
<b>Freewheel Operation</b>	<b>9</b>
<b>Starting to Drive</b>	
• Getting Started	<b>10</b>
• Moving Off	<b>10</b>
• Steering	<b>10</b>
• Reversing	<b>10</b>
• Gradients and Kerbs	<b>10 &amp; 11</b>
<b>Technical Specification</b>	<b>11</b>
<b>Batteries and Battery Charger</b>	<b>12</b>
<b>Maintenance</b>	<b>13 &amp; 14</b>
<b>Troubleshooting</b>	
• Circuit Breaker	<b>14</b>
• Fuses	<b>14</b>
• Check List	<b>15</b>
<b>Further Information</b>	<b>15 →</b>
<b>Warranty</b>	

## Introduction

---

Congratulations on your purchase of the **Cadiz** scooter. This scooter incorporates comfort and style with the latest in technology. The large tyres, powerful motor and full suspension ensure a comfortable ride. It is also complemented with a full light set that includes front and rear lights, indicators and hazard warning lights enabling it to be used on public roads.

## Intended Use

---

The **Cadiz** was carefully designed for persons with limited mobility. It is for predominantly outdoor use by a single occupant up to a maximum weight of 160kg / 25st.

The intended user should possess the necessary physical, visual and cognitive skills to operate the scooter safely. If you have any doubt, please consult your dealer / prescriber.

***Note: Persons with lower body amputations should not use this device unless evaluated with artificial limbs fitted, as stability may be compromised due to an irregular centre of gravity.***

The **Cadiz** is a Class 3 invalid carriage and is not legally defined as a motor vehicle, and therefore the user is not required to possess a driving license. It is exempt from MOT certification. It must however be registered with the DVLA and display a nil duty vehicle license (tax disk).

A Class 3 invalid carriage can only be used by a person suffering from some physical defect or physical disability aged 14 or over, or by an able bodied person who is demonstrating a vehicle before sale, training a disabled user or taking the vehicle to or from a place for maintenance or repair.

A Class 3 invalid carriage can be used on public roads, but not on motorways, cycle lanes or bus lanes. When used on pavements or in pedestrian areas the scooter **MUST** be switched to its lower speed limit (see page 8). It is not recommended that the scooter is used on a dual carriageway, but if it is necessary an amber coloured flashing beacon must be used to warn other road users of your presence.

*It is important that the user reads and understands the safety advice given within this manual before attempting to operate the product to avoid possible injury to the user or bystanders and avoid damage to the scooter or surrounding property.*

## Feature Guide

---



1. Upper headlight
2. Adjustable angle 'Delta' type tiller control
3. Fully adjustable 'Captains' seat
4. Width adjustable armrests
5. Rear lights with indicators
6. 13" non marking wide profile pneumatic tyres
7. Full Suspension
8. Lower headlights
9. Front basket

## Safety Advice

---



### DO:

- Read this manual carefully before using your scooter.
- Turn the power off when transferring to and from the scooter.
- Select a slow speed when going down gradients or over uneven ground.
- Keep your feet inside the scooter whilst driving.
- Ensure the batteries are fully charged before your journey.
- Avoid rough or soft terrain and long grass wherever possible.
- Be aware of other road users and pedestrians. **If driving on the road you MUST adhere to the Highway Code.**
- Use lights whenever necessary.
- Turn the power off when not in use.
- Follow the maintenance guide to ensure safe operation of the scooter.
- Always remove the keys if leaving the scooter unattended. Unauthorised persons/children may use the scooter resulting in injury.



### DO NOT:

- Carry passengers.
- Carry bags, luggage or walking aids on or near the tiller control other than in the basket provided.
- Exceed inclines over 8° (14%).
- Traverse inclines.
- Attempt inclines if the surface is slippery.
- Turn sharply at full speed.
- Exit or enter the scooter unless the power is switched off.
- Switch off the power whilst driving – this will cause the scooter to stop abruptly. (see emergency procedures – page 16)
- Use the scooter where you cannot safely or legally walk.
- Attempt to climb kerbs over 10cm (4") high.
- Use the scooter in high winds (38mph+) if fitted with a canopy.
- Use the scooter if under the influence of alcohol or any medication.
- Use a mobile phone whilst driving.
- Attempt to negotiate steps or escalators.
- Transport the scooter with the user onboard.
- Attempt to tow any other devices.
- Exceed the stated weight limit.
- Connect any other devices to the batteries as this could cause permanent damage and void your warranty.
- Use any other batteries/charger other than those supplied by RMA.
- Travel through water or over soft terrain (mud, sand etc.).
- Lift the scooter by the chassis covers or any plastic part.
- Store the scooter outdoors uncovered for any period of time. We recommend that the scooter is stored in a dry garage, shed or porch to prevent the possibility of any moisture ingress.

Every care has been taken to ensure that your scooter will give you safe, reliable service provided you adhere to the advice given above.

## Adjustments

---

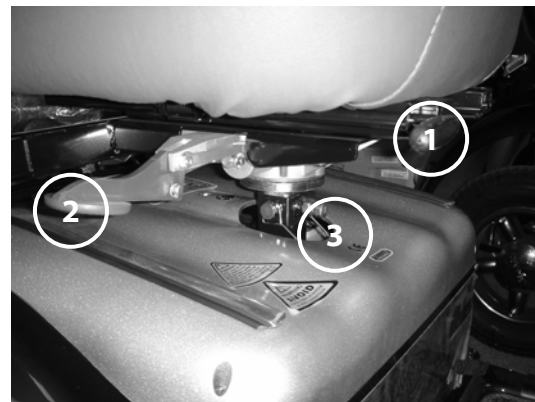
### Tiller Angle Adjustment

On the left side of the tiller base is a black hand knob. Pull the knob outwards to release the pin and select the required angle. Release the knob and ensure the pin is securely located in one of the five adjustment holes.



### Seat Slide Adjustment

Your Captain seat can move forward or backwards similar to a car seat. Lift lever (1) up and slide the seat to the required position. Release the lever to lock it back in place.



### Seat Swivel adjustment

For easy transfers, the seat can be swivelled to the side. Lift the red lever (2) and carefully rotate the seat to get on or off. Pulling up on this lever and the seat simultaneously will allow the seat to be removed.

***Always ensure the seat is locked in the forward facing position when in use. DO NOT attempt to drive when swivelled as this may result in injury.***

### Seat Height Adjustments

First, remove the seat by pulling up on the red lever and lifting the seat simultaneously. The seat height may be adjusted by undoing the bolt (3) and removing the locking pin. Adjust the seat adapter to the required height. Re-insert the locking pin fully and ensure the lock wire is in place. Re-tighten the bolt and replace the seat.

## Continued.....

---

### Armrest Width Adjustment

The armrest width can be adjusted by loosening the two handknobs at the rear base of the seat, moving the armrest to the required width and re-tightening the handknobs.

***DO NOT use the scooters with the armrest removed. The armrests should not be used for full support when transferring from the scooter. Swivel the seat and seek assistance whenever necessary.***



### Armrest Angle Adjustment

The angle of the armpad can be adjusted by tightening or loosening the screw under the armpad. Tightening will raise the angle and loosening will reduce the angle.



## Dis-assembly

---

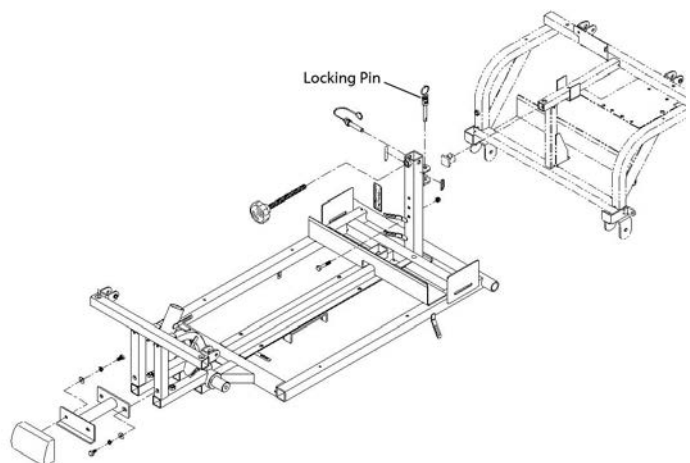
The Cadiz scooter can be 'broken down' into five components for transportation – Front Chassis, Rear Chassis, Seat and Batteries (x2).

***Care should be taken when dis-assembling the scooter. Components can be heavy so assistance should be sought when lifting.***

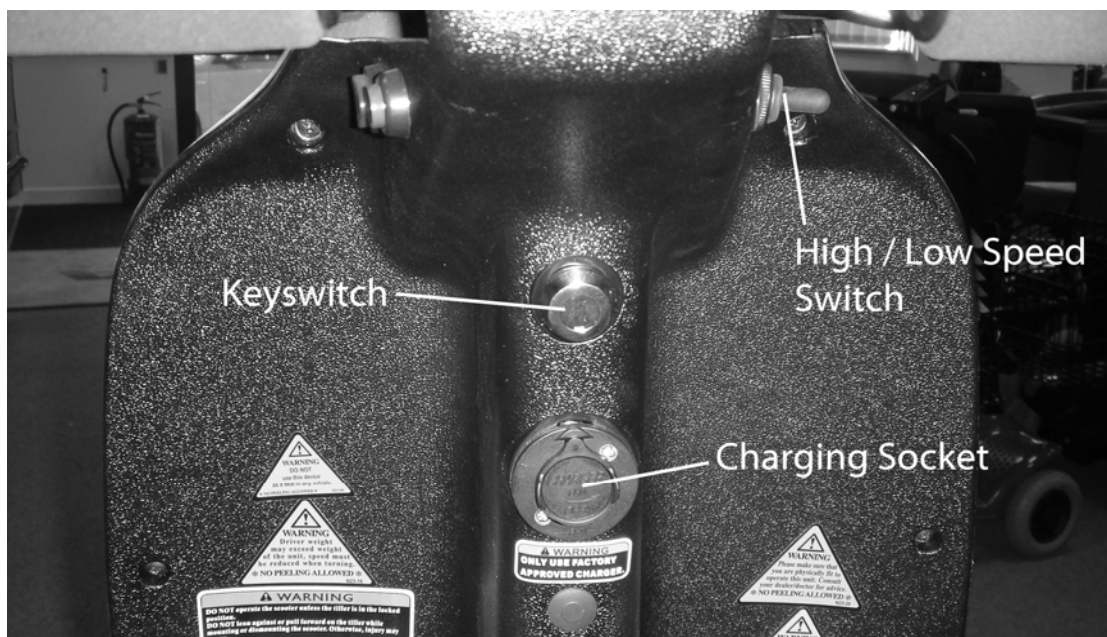
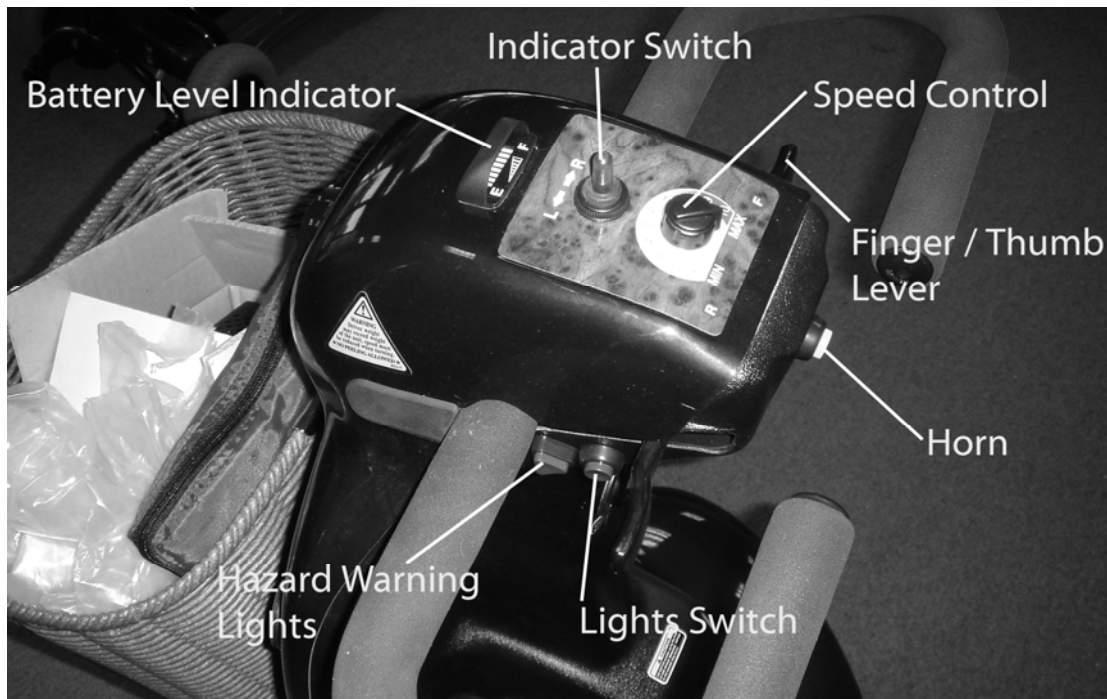
Remove the seat and rear chassis cover as previously described.

Undo the battery connections and the large orange main loom plug. Undo the velcro straps and remove the batteries.

Locate and remove the locking pin, which is situated as shown in the image opposite.



## Tiller Controls



### Speed Control:

This allows the user to set the maximum speed of the scooter between 1 (minimum) and 10 (maximum).

***When driving in pedestrian areas such as shopping precincts and busy pavement areas always respect other pedestrians and turn the maximum speed down so that the scooter travels at the walking pace of others around you.***

### Battery Level Indicator:

The number of LED bars lit gives an indication to the amount of charge remaining in the batteries. The amount of charge will only show its true level when the scooter is being driven. ***Do not allow the LED bars to go out completely as complete discharge of the batteries could cause permanent damage to your scooter.***



## Continued.....

---

### High/Low Speed Switch:

This sets the maximum high speed for the scooter. This **MUST** be set to low 'L' when used in pedestrian areas. The high 'H' setting should only be selected when used on the road.

### Hazard Warning Lights:

This red button operates all of the indicators simultaneously.

### Lights:

This blue button operates the main front and rear lights.

### Key Switch:

The key switch operates the main power for the scooter. When turned clockwise the battery level indicator should light up indicating that the scooter is on. There is a small delay before the thumb lever controls operate as the controller checks the main circuits. ***Do not turn off the power whilst moving, this will cause the scooter to stop abruptly.***

### Horn:

This yellow button operates the scooter's horn. *The horn should only be used to warn others of your presence and not as any form of rebuke.*

### Thumb / Finger Lever Control:

The finger / thumb lever controls the motion of the scooter as below:-

Push right lever	–	reverse motion
Pull right lever	–	forward motion
Push left lever	–	forward motion
Pull left lever	–	reverse motion

Simply release the lever to bring the scooter to a safe stop.

### Charging Socket:

*Please refer to page 12 'Batteries and Battery Charger'*

### Indicator Switch:

This switch operates the indicator lights of the scooter. Please use the indicators at all times when making manoeuvres on roads.

## Freewheel Operation

---

The drive dis-engage lever for the gearbox is situated under the rear right of the scooter. Ensure that the power is switched off.

In the event of power failure or the need to move the scooter without driving, the gearbox can be disengaged by pushing the red lever down – this will then put the scooter in 'freewheel' mode. To re-engage the gearbox pull the lever up fully and ensure that the transaxle is engaged before entering the scooter.



***Caution! NEVER leave the scooter unattended whilst in freewheel mode as it will roll away down an incline. 'Freewheel' mode should only be used in an emergency to move the scooter due to power failure. NEVER move the scooter in this mode whilst it is occupied.***

## Starting to Drive

---

### Getting Started

Select a level area with plenty of space.

Enter the scooter and adjust the tiller and seat as previously described to the desired driving position.

### Moving Off

Turn the key clockwise to turn on the power.

Ensure your batteries are fully charged.

Initially set the speed to 1 or 2.

Pull your right thumb / finger lever, the scooter should move forward slowly.

The harder you press the lever the faster the scooter will travel up to its preset maximum speed. Releasing the lever will bring the scooter to a safe stop and the electro-magnetic brakes will be applied automatically.

### Steering

Steering the scooter is light and easy. Ensure when starting off you give a wide clearance when turning so that the rear wheels can clear any obstacle that you are passing. When steering through limited spaces such as doorways or when turning around, turn the tiller handle in the direction you want to go and gently apply the power. ***NEVER turn sharply when travelling at high speed as this may affect stability.***

### Reversing

Before reversing ensure that the area behind the scooter is free from any hazards or obstructions. Adjust the speed setting low before you reverse. Press the left thumb lever and steer wide of all corners and obstacles.



***Caution! Do not reverse onto a main thoroughfare. Take care, objects in the rear view mirrors will appear to be further away from the back of the scooter than they actually are.***

### Gradients and Kerbs

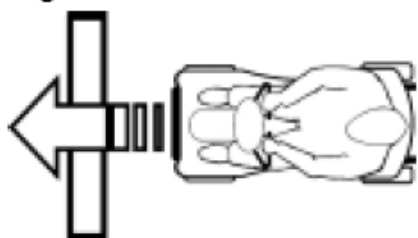
***We recommend that wherever possible that a suitable access point such as a drop kerb or ramp be used. The necessity to climb a kerb directly should be as a last resort.***

If negotiating a gradient or kerb (up to 10cm), always address the situation at an angle of 90° to ensure stability of the scooter. Do not hit a kerb at speed, drive slowly until you reach the kerb then apply more power to travel over the obstacle. ***Do not turn sharply on any slope moving forwards or backwards.***

## Continued.....

---

Right



Wrong



**Caution!** Always ensure that the power is turned off when entering or dismounting the scooter. Take plenty of time to become familiar with the way that the scooter behaves. **DO NOT** drive on public roads until you have the confidence and ability to do so.

## Technical Specification

---

The **Cadiz** is classified as:

Class 1 Medical Device (93/42 EEC)

Class 3 Invalid Carriage

<b>Overall Size</b>		<b>Seat Dimensions</b>	
Length	1300mm	Width	450mm
Width	640mm	Depth	400mm
Height	1120mm	Height to floor	650-750mm
Max. Speed	12km/h (8mph)	Backrest height to seat (incl. Headrest)	360mm 540mm
Height Total	1620mm	Battery charger (off board)	5 amp
Maximum user weight	160kg / 25st	Ground Clearance**	135mm
Safe Working Slope	8° (degrees)	Range (maximum)	32km/20m*
Batteries 12v x 2 (Std)	34/36Ah	Batteries 12v x 2 (Upgrade)	45Ah

\* Passenger weight, steep inclines, ground conditions, ambient temperature and battery condition can affect maximum range.

\*\* To underside of chassis

## Batteries and Battery Charger

---

### Batteries

The **Cadiz** is supplied with two, maintenance free, sealed lead acid AGM batteries. These are fitted under the seat on the scooter.

Battery performance can be affected by low temperatures, rough terrain and the weight of the user. Your battery gauge is a guide only on the level of charge remaining in the batteries.

An active user can use 30% of the battery capacity or more per day.

An inactive user may only use 50% of the battery capacity in a week.

### Battery Charger

***Charge the batteries completely (8-12 hours) prior to first use.***

Batteries supplied with your scooter are specially designed for use on powerchairs and scooters and require an automatic battery charger. These chargers have an electronic switch that terminates the charge when the batteries are full.

The battery charger is a 5-amp switch mode type off board. The charger is able to read the level of charge in the batteries and will switch off when the batteries are fully charged.

To charge the batteries connect the plug lead into the charging socket (page 8) on the tiller and the 3-pin plug into the wall socket and switch on. The chargers and their indicator LEDs are listed below:-

1 LED Indicator:-

Green Flash – Standby

Green Constant – Fully Charged

Red Flash – Inhibit (error)

Red Constant – Charging

2 LED Indicator (discontinued):-

Red Constant – Connected

Red Flash – Open Battery Circuit

Green Flash – Charging

Green Constant – Fully Charged

3 LED Indicator:-

Red Constant / Flash – Reversed Polarity / Battery Fault

Yellow Constant – Charging

Yellow Flash – Open Battery Circuit / Low Battery Voltage

Green Constant – Fully Charged



***Caution: Always charge the batteries in a well-ventilated indoor area. You must still maintain charging the batteries even if the scooter is not to be used for a prolonged period of time (2 to 3 weeks). Failure to do so could result in permanent damage and render the batteries unusable. Wherever possible do not interrupt the charge cycle until the batteries are fully charged. Continual interruption can permanently damage the batteries. If the charging lead should become damaged discontinue use immediately and seek a replacement from your dealer.***



### ***Disposing and recycling of used batteries***

***Batteries must always be recycled correctly. Do not dispose of them with your domestic refuse. Contact your local authority for details.***



## Maintenance

---

### Cleaning the Scooter

When cleaning the scooter please pay attention to the following points:

- Only use a damp cloth and gentle detergent.
- DO NOT use any abrasive products.
- DO NOT use a hose or pressure washing equipment.
- AVOID water contact with any electrical components.
- DO NOT put the scooter through an automated car wash or similar.

### Routine Maintenance



We recommend that the following checks be carried out on a periodical basis by a qualified person:

RMA Scooters Maintenance and Inspection	Daily	Weekly	Monthly	Annually
Check / Charge Batteries	◆			
Check removable parts are secure	◆			
Check electrical connections are secure		◆		
Check tyre pressures (30 psi rear, 25 psi front)		◆		
Check tyre wear (minimum 2mm tread depth)		◆		
Lubricate wheel / castor bearings with a light oil			◆	
Complete inspection by an authorised Dealer				◆

The transaxle/gearbox is a sealed unit and does not need lubricating.

### Wheels and Tyres

The wheels of your scooter have split rims. This allows any punctures to be repaired easily.

To change the wheels, remove the centre bolt and slide the wheel off its axle. Ensure that when refitting the wheel the retaining nut is fitted with a locking washer or the screw threads are treated with 'Loc-tite' or a similar thread locking compound. When changing a tyre the inner tube must be deflated. Remove the four bolts from the wheel and slit the rim. Tyre pressure is recommended to be kept at 30psi on the rear and 25psi on the front tyres.

✓ **Note: Regularly check and maintain these tyre pressures, as low or uneven tyre pressure can reduce the range of your scooter or cause the handling of your scooter to be affected.**

## Continued.....

---

### Product Life Expectancy

Your scooter has been designed to provide the user with a long, reliable life provided it is correctly maintained and regularly serviced by an authorised dealer. However, due to inevitable wear and tear and technological improvements it is recommended that the average usable life of this scooter is five years.

- ✓ **Note: Should any parts need replacing during routine maintenance please consult your local Dealer for approved spare parts for your scooter. Failure to do so may damage the scooter and void your warranty.**

## Troubleshooting

---

### Circuit Breaker

Your scooter is fitted with the latest in electronic controls that are programmed to protect the electrical system from abnormal overloads. Fitted for extra protection is a circuit breaker. Should there be a situation where your scooter stops for no apparent reason please check that the circuit breaker has not tripped. The circuit breaker is located is located through a hole in the shroud underneath the seat behind the seat post. Press this button to reset the circuit breaker.



Circuit Breaker  
Reset

- ✓ **Note: Should the circuit breaker continue to trip turn off the scooter immediately and consult your dealer.**

### Fuses

Inline 50 amp blade type fuses from the batteries protect any overload.

- ✓ **Note: Should the fuses need replacing please contact your dealer to ensure the correct sizes are fitted. Failure to do so could result in permanent damage to the scooter's electronics and possibly cause a fire hazard. Failure to do this will void your warranty.**



## Continued.....

---

### Check List

If your scooter fails to operate, please check the following:

- The unit is switched on.
- All plugs and connectors are firmly fixed.
- Battery level shows full charge.
- Freewheeling device is in the drive position (lever up).
- Circuit breaker has not tripped
- Battery fuses have not blown

Please consult your dealer if your scooter does not run after checking these points.

### Further Information

---



#### Safety Information Regarding Electromagnetic Interference (EMI)

Scooters and powerchairs are designed to operate under certain conditions. However, radio waves or electromagnetic fields may affect the operation of the scooter. The source of EMI could be radio or television transmitters or portable devices such as mobile phones, portable CB radios etc.

Should any unintentional movement occur turn the scooter off as soon as safely possible.

#### Solar Energy

During periods of sunny weather, it is possible that surfaces of your scooter may reach high temperatures (as with motor vehicles). Please take precautions if leaving the scooter in direct sunlight for any period of time. Seek shade or cover the seat and hand controls to keep any temperature increases to a minimum.

#### Health Factors

Suitability for this product has been assessed on the user's current state of health. It is essential that the user regularly monitor their ability to use the scooter safely.

Please read and adhere to the guidelines set out in this manual and in the 'Code of practice for Class 3/C vehicle users'

#### Disposal and the Environment

Parts of this product are covered by the Waste Electronic and Electronic Equipment (WEEE) regulation. It should not be discarded with normal household/domestic waste, but taken to your local collection centre for recycling. For further information, please contact your local authority or approved disposal agency.



## Continued.....

---

### General Use

Take heed of the information given in this manual regarding safety and the maintenance of your scooter. If adhered to, your scooter should give you years of reliable mobility.

The **Cadiz** is intended for general year round use. However, DO NOT use the scooter in electrical storms, high winds (if fitted with a canopy) or downpours. Care must also be taken during cold weather due to icy surfaces.

### Storage and General Care

We recommend that the scooter is always stored in a dry environment such as a garage or shed to protect the chassis and other components from corrosion or water damage. Do not leave the scooter outside during rainstorms. If the scooter is wet, wipe with a dry cloth to ensure there is no ingress of water into the internal components of the scooter (*If the scooter needs to be cleaned, use a mild detergent and warm water with a damp sponge or cloth. DO NOT throw water over the scooter or use a hose or pressure washer*).

### Product Stability

Scooters and powered wheelchairs are designed to allow the user flexibility of movement in restricted areas. Driving at maximum speed and attempting sharp turns can create a situation where the product becomes unstable. Therefore it is essential that the user pay attention the guidance set out in this manual.

**For maximum stability the speed setting should be set up to 50% of the maximum available (halfway between the tortoise and the hare or just entering the red sector on the speed indicator depending on the model).**

The main factors affecting stability are:

- Maximum speed setting
- Seat height
- User movement
- User's manoeuvres
- Gradients or slopes

Please keep your speed to a level where you can safely stop without having to make any erratic turns.

Do not load bags etc. on the back of the seat as this will affect the centre of gravity and could increase instability.

Do not lean outside of the 'footprint' of the product, especially whilst moving.

Avoid making turns on gradients or slopes.

### Emergency Procedures

Should your scooter behave erratically or become unresponsive whilst driving, release the wig-wag lever so it may return to it's neutral position and switch off the power at the key / switch. These procedures will stop the scooter and activate the braking system, preventing any further uncontrolled manoeuvres.

*Note: Switching the power off at the key / switch can cause the scooter to stop abruptly and should only be used to stop the scooter during an emergency.*



## Continued.....

---

### Transportation

You may transport your scooter in many ways. Wherever possible, secure the scooter. We do not recommend that scooters be transported on an open bottomed trailer.

### Sleep Mode

Your scooter has a digital battery status indicator, which displays the current charge status of the batteries in your scooter.

The circuitry also detects changes in power draw from the batteries.

If your scooter is left switched on without use for about five minutes the electronics will go into 'sleep' mode to conserve power. You will see one bar on the battery status indicator oscillate from side to side. Simply switching the scooter off and back on will enable the scooter to operate as normal.

### Constant Speed Use

As the circuitry senses changes in power draw it is possible that on journeys where your speed is constant for an extended period of time that you will see the single bar oscillate even though the scooter is in motion. This is due to the prolonged period of no change in power draw.

This is perfectly normal and by simply adjusting your speed for a moment will change the battery status indicator back to normal.

### Gearbox Breather Cap (older models)

The Cadiz may have a breather cap fitted to the gearbox. This is NOT a grease nipple and should never be used to attempt to lubricate the gearbox. For shipping purposes, the cap is closed.

Before the scooter is commissioned for use, the cap should be opened. Failure to do so could result in an excessive pressure build up within the gearbox and damage may occur to the motor.

Please see images below:



Closed for shipping



Open for use

### Driving in Pedestrian Areas

As mentioned previously, when using the scooter in pedestrian areas always lower your maximum speed to that of the pedestrians around you. Remember the stopping distance of your scooter and always allow enough space to stop safely to avoid collisions with pedestrians or other objects.

## Notes

---

## Notes

---

## Warranty Terms and Conditions

---

This is to certify that your Shoprider® product is warranted for a period of 12 months from the date of original purchase. This warranty is not transferable.

***Should a defect or operating fault arise within this period the Dealer from where the product was originally purchased should be notified immediately. Failure to register the fault may invalidate the warranty. The Dealer from where the product was purchased is responsible for any warranty repairs.***

If a fault occurs within this period due to faulty workmanship or materials that the product will be repaired (or replaced at the Companys discretion) free of charge.

Any unauthorised modifications will invalidate the warranty.

Parts which are subjected to normal wear and tear, accidental damage, neglect or misuse are excluded from this warranty. Normal wear and tear includes tyres, chassis covers, bulbs, seat coverings etc.

Component parts replaced outside this period carry a six-month warranty. (Standard terms and conditions apply for this period).

Model:

---

Serial No:

---

Purchase Date:

---

Dealer Stamp

Distributed by:-  
Roma Medical Aids Ltds  
York Road, Bridgend Industrial Estate,  
Bridgend  
CF31 3TB  
Tel: 01656 674488 Fax: 01656 674499  
Email: sales@romamedical.co.uk  
www.romamedical.co.uk

Shoprider reserve the right to change specifications without prior notice



**EC REP** Wellkang Ltd  
29 Harley St.  
W1G 9QR  
LONDON, U.K.

Manufactured by:  
Phisiang Machinery MFG. CO. LTD  
No. 108 Hsin-He Rd, Hsin-Feng Hsiang, Hsinchu County, Taiwan

