

**Code ES28MTSX - 28L Built-In Microwave Oven + Grill**



**8 AUTO COOKING MENU**

The Auto cooking menu, offers 8 pre set cooking functions including pizza, meat, vegetable, pasta, fish, beverage, potato and popcorn.

**COMBINATION COOKING**

Combination cooking enables you to cook using both grill and microwave function to provide conventional cooking results.

**SPEEDY COOKING (30 SECOND QUICK START)**

The quick start function enables you to start the unit at 100% power for 30 seconds, at the push of a button. Each press of the start button will increase the cooking time by an extra 30 seconds.

**FEATURES**

- 28L Capacity
- Digital control
- 900W microwave power
- 1100W Grill
- 8 Auto cooking menus
- Multi-Stage cooking
- Child safety lock
- Speedy cooking (30 second quick start)
- Stainless steel cavity
- Stainless steel front panel & trim finish

**TIMER**

Use to set microwave cooking time. Allows you to set up to 95 minutes.

**DEFROST BY TIME**

Use to set microwave defrost time. This function will allow you to set a maximum of up to 95 minutes.

**DEFROST BY WEIGHT**

Defrost food according to weight from 100g to 2kg.

**MULTI-STAGE COOKING**

This feature allows you to set multiple stages of cooking for example, the defrost function followed by microwave function.

**ELECTRICAL REQUIREMENTS**

This Microwave is fitted with a cord & 10amp plug.

**POWER CONSUMPTION:**

Rated input power (microwave): 1450w  
 Rated output power (microwave): 900w  
 Rated input power (grill): 1100w  
 Rated Voltage: 230 - 240V

**GROSS/NET WEIGHT:**

20.5kg / 18.5kg

**OVEN CAPACITY:**

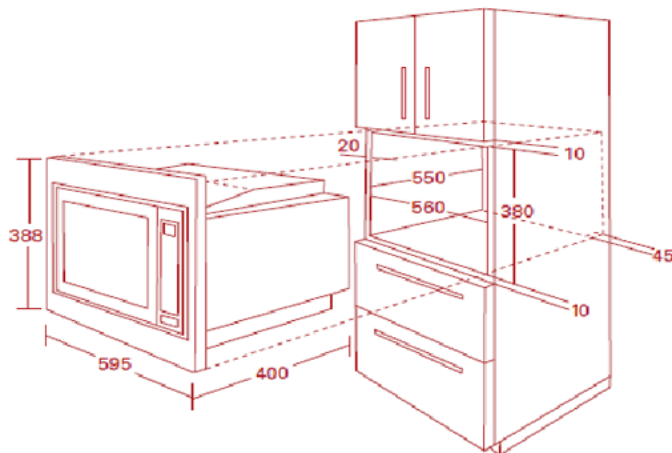
28 Litres

**CLEANING AND MAINTENANCE**

Simply clean the oven cavity with a slightly damp cloth

**PRODUCT DIMENSIONS**

Unit dimension with trim (W x H x D): 595x388x400mm



Microwave and Trim Kit for built in purposes only

