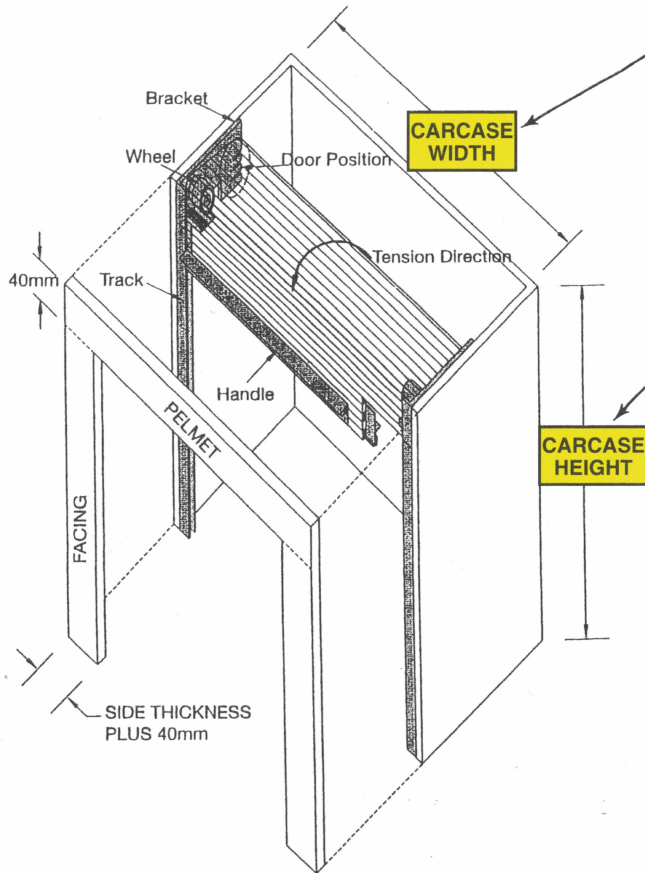


ISOMETRIC VIEW



CARCASE WIDTH

CARCASE HEIGHT

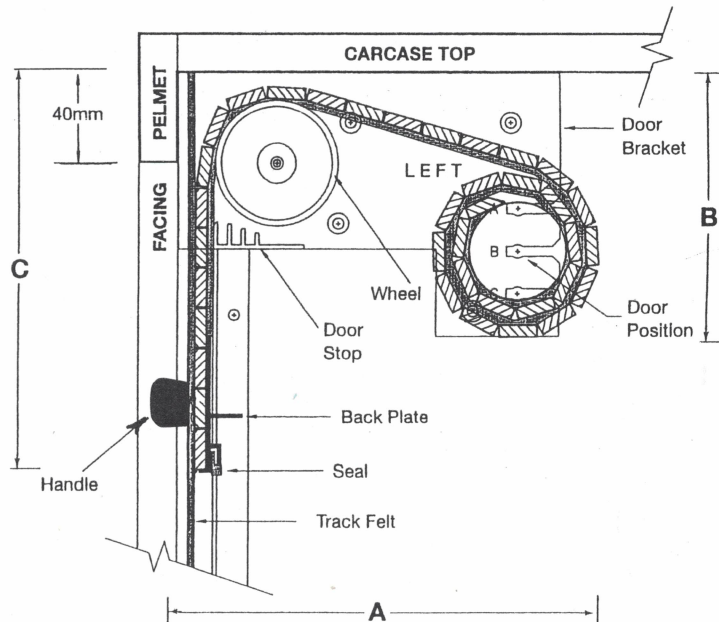
TO ORDER
Supply INTERNAL CARCASE
HEIGHT and WIDTH
Measurements

DIMENSION CHART (Refer Side View)

HEIGHT	A	B
To 600	190	110
601-900	200	130
901-1200	210	140
1201-1500	215	155
1501-1800	220	170
1801-2100	225	180

- NOTE (1) DIMENSION C equals 100mm when the door is fully opened
(2) Add 50mm to DIMENSION A for making installation easier

SIDE VIEW



PLAN VIEW

