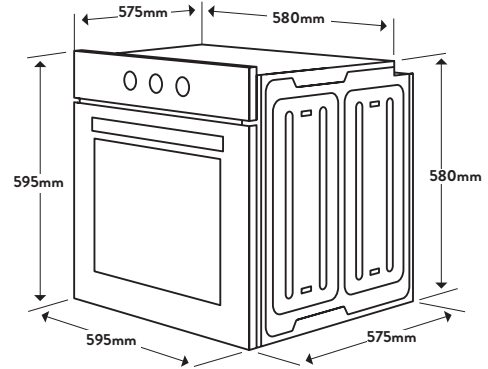




## Dimensions/Weight

Overall Dimensions (mm): 595(h) x 595(w) x 575(d)  
 Flushmount Dimensions (mm): 598(h) x 598(w)  
 Proudmount Dimensions (mm): 580(h) x 580(w)  
 Weight: 39kg



## Technical Details

### Style

Oven Type:	Standard
Category Size:	60cm
Capacity:	72L

### Functionality

Oven Functions:	Fan Forced Defrost Grill Grill with Fan Assist
Max Cooking Temperature:	250°C
Clock:	No
Timer:	Mechanical
Number of Shelf Positions:	8
Interior Light:	Yes

### Features & Accessories

Accessories:	1 x Wire Grid Insert 1 x Baking Tray 1 x Chrome Shelf
Easy View Door:	Yes

### Installation

Maximum Current:	10amps
Connection:	240V, 50Hz
Installation Type:	Plug & Play, Built-In, Under Bench, Wall Mount
Made In:	Europe
Warranty:	5 Years, Parts & Labour

## Aesthetics

Finish:	Stainless Steel with Black Glass
Controls:	3 x Knob Control
Door:	Top Opening, Triple Glazed

## Key Features

**72L** **72L Capacity**  
 More oven capacity to suit large family.

**Plug & Play**  
 Designed with a 10amp plug so you can connect to a standard powerpoint.

**Easy View**  
 Designed so you can see inside the oven without opening the door through the largest and clearest window possible.

## Customer Care

T: 1300 11 4357  
 E: sales@residentiagroup.com.au

NB: Drawings are not to scale - they are to assist only.  
 WARNING: technical specifications and product sizes can be varied by the manufacturer without notice. Cutouts for appliances should only be by physical product measurements.  
 The above information is indicative only.