

1. Cams Insertion

CORRECT ✓



NOTE: Please make sure to insert the female cam correct way to ensure the alignments for your cabinets. With most carcass it is highly recommended fixing screws to be used in conjunction with the cams for more durable construction failure to do so may result in serious injuries.

WRONG



NOTE: Incorrect installation of the female cam will result in uneven structure. You will notice an approx. 3-5mm miss aligning with other joining parts. We highly recommend to have a licensed trades person to assemble and install your cabinetry.

TRADEPAX
BY TRADEMASTER

Cams & Cabinet Legs Installation Instructions

For further help, please call our team on 1300 664 584 or email fp@trademaster.com.au

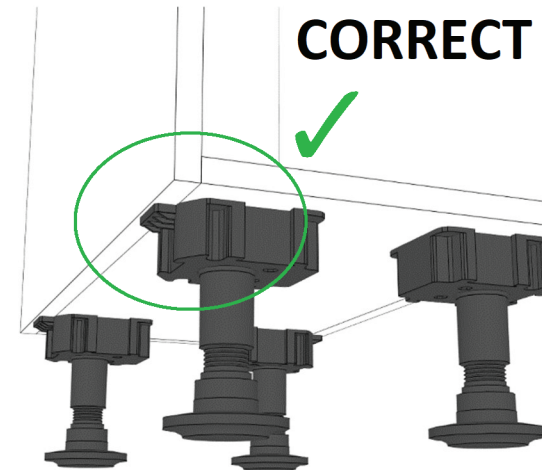
2. Cabinet Legs Installation

CORRECT ✓



NOTE: It is very important to correctly install the Base plates for the plastic adjustable legs. The base plate will need to support the unfinished end panel of the carcass for the load to be correctly distributed throughout the installation.

CORRECT



WRONG



NOTE: Incorrect installation of the plastic adjustable legs will result of your cabinet failing and may collapse with the weight and may cause serious injury. Care will need to be taken when assembling and installing cabinets. We highly recommend to have a licensed trades person to assemble and install your cabinetry.

