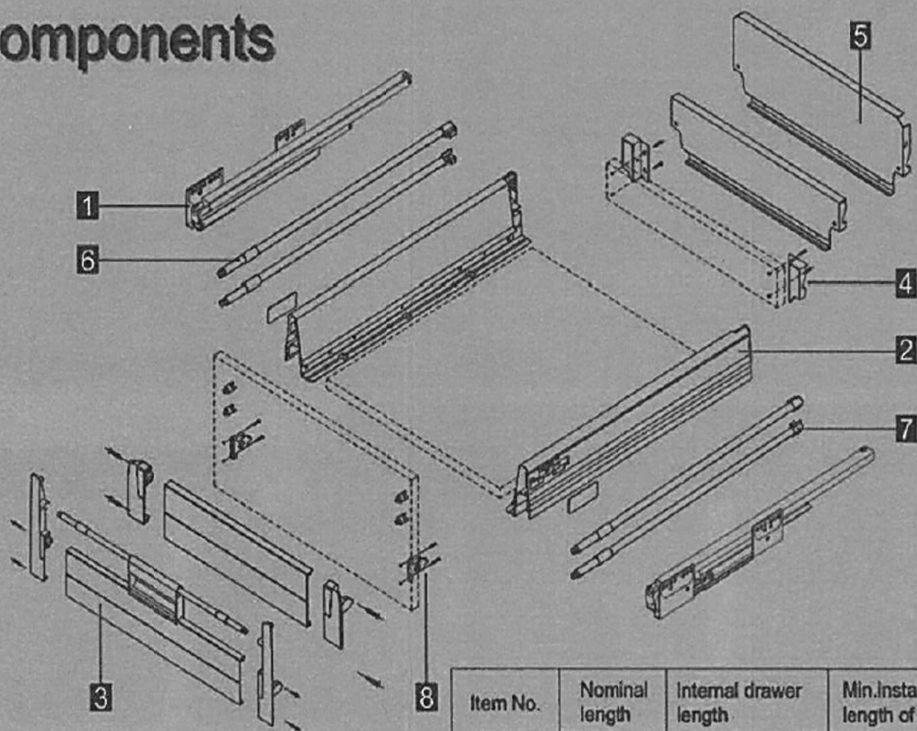


Components

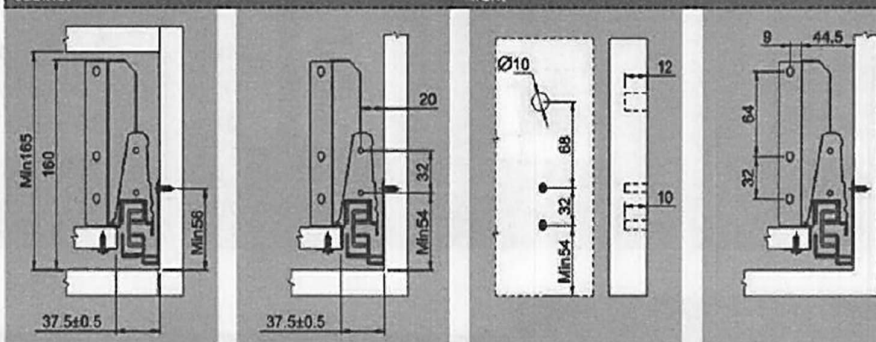


- | | |
|---------------------------|-------------------------|
| 1.Cabinet profiles: (L/R) | 5.Metal drawer back |
| 2.Drawer profiles: (L/R) | 6.Gallery tube |
| 3.Front panel | 7.Middle tube |
| 4.Rear connecting bracket | 8.Front fixing brackets |

Item No.	Nominal length	Internal drawer length	Min.installation length of drawer
908SH-270	270mm	244mm	280mm
908SH-300	300mm	274mm	310mm
908SH-350	350mm	324mm	360mm
908SH-400	400mm	374mm	410mm
908SH-450	450mm	424mm	460mm
908SH-500	500mm	474mm	510mm
908SH-550	550mm	524mm	560mm

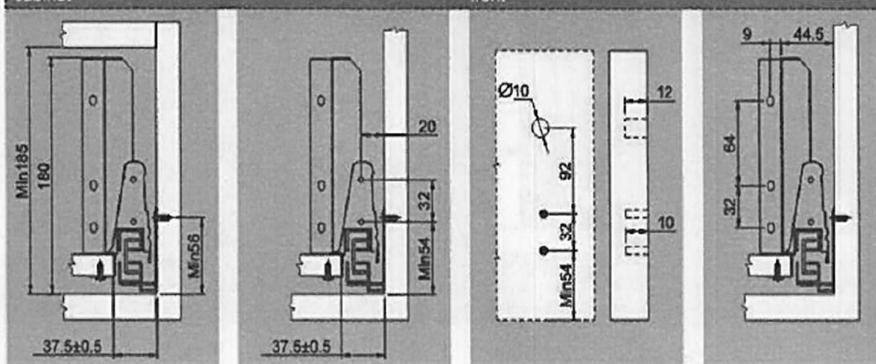
A/B-140 Installation dimensions

Assembling dimensions of cabinet Front fixing bracket Drilling hole size on drawer front Drawer back



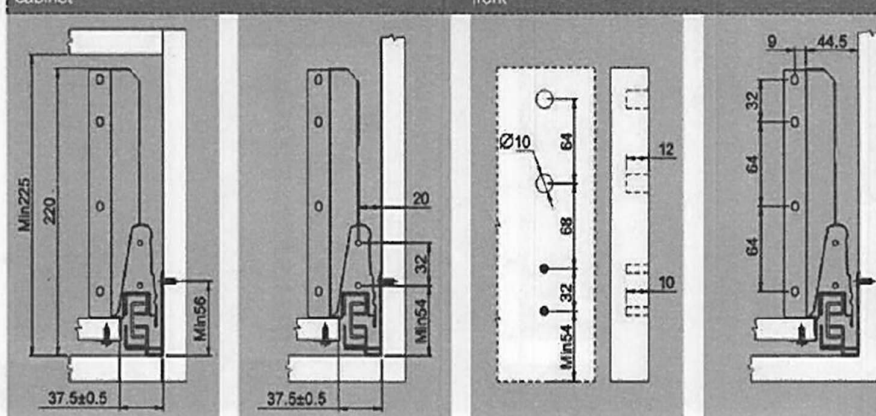
A/B-164 Installation dimensions

Assembling dimensions of cabinet Front fixing bracket Drilling hole size on drawer front Drawer back



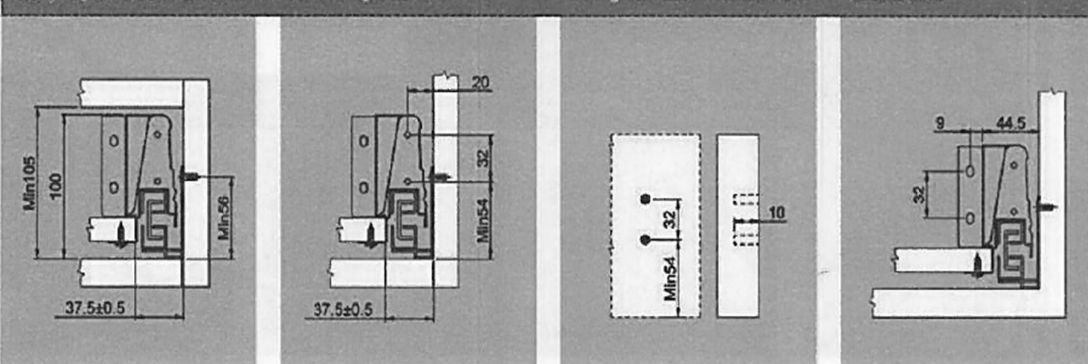
A/B-204 Installation dimensions

Assembling dimensions of cabinet Front fixing bracket Drilling hole size on drawer front Drawer back

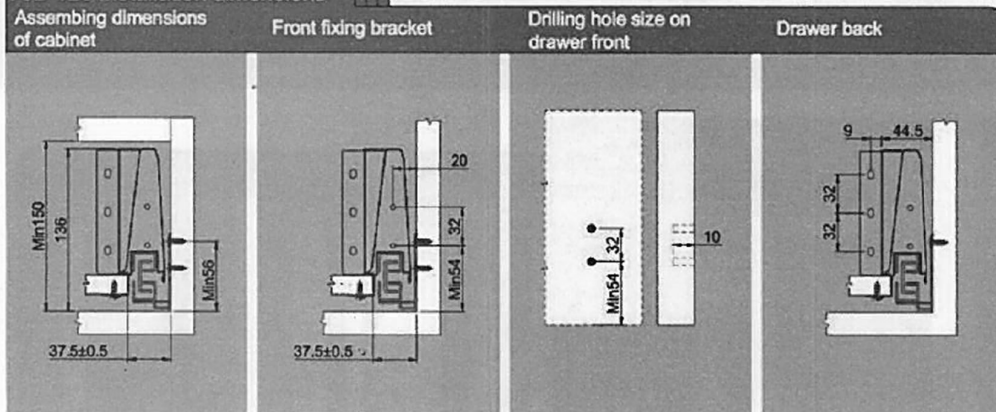


A/B-86 Installation dimensions

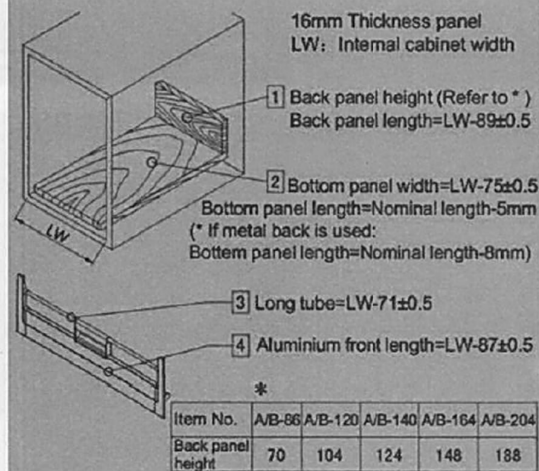
Assembling dimensions of cabinet Front fixing bracket Drilling hole size on drawer front Drawer back



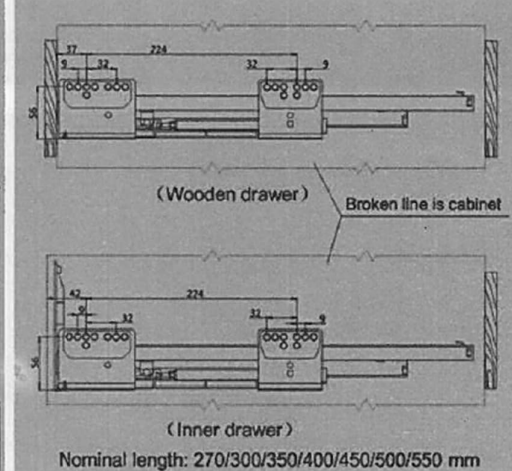
A/B-120 Installation dimensions



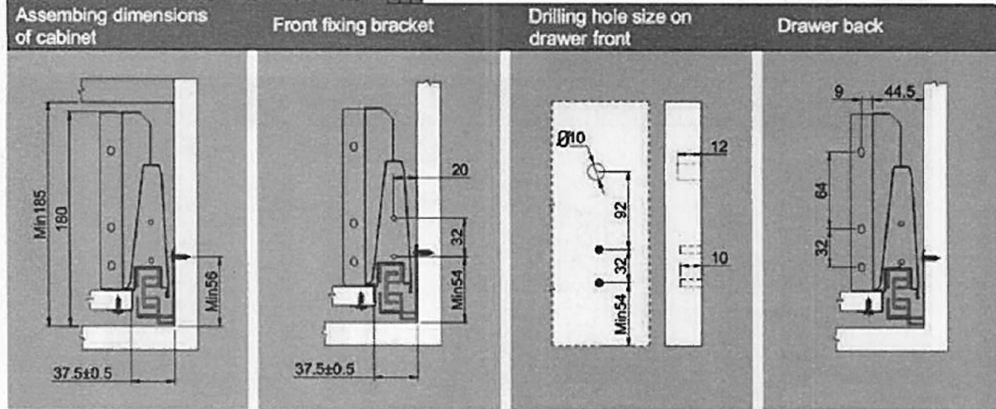
Bottom and back panels measurement



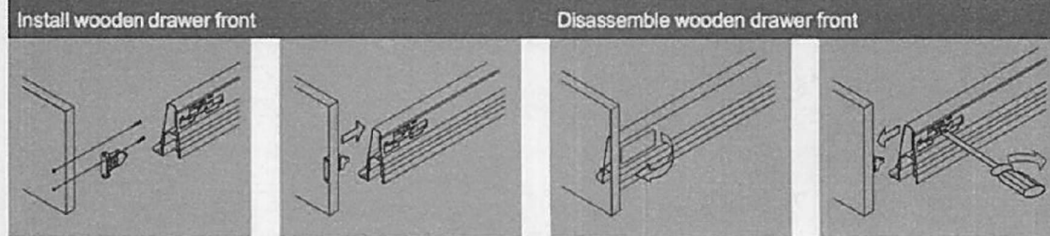
Slide installation



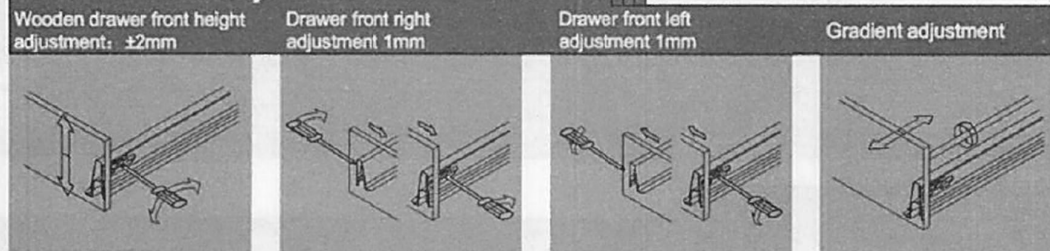
A/B120-164 Installation dimensions



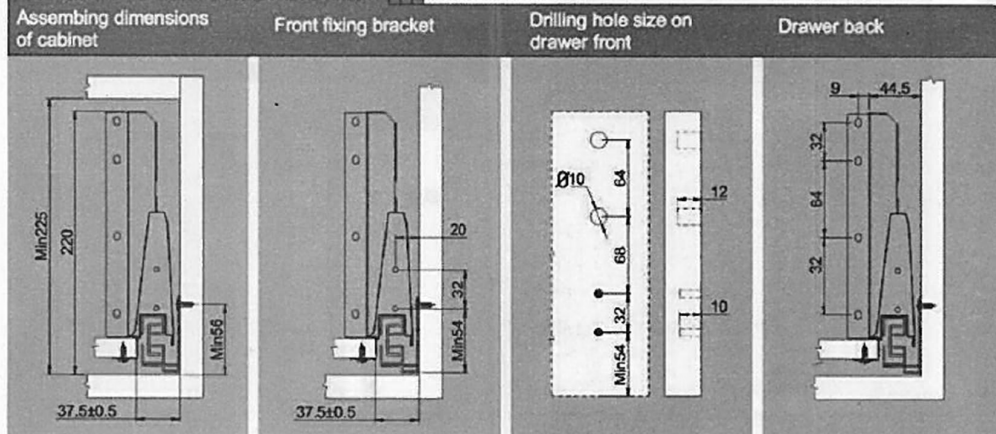
Installation & Disassembling manual



Drawer front adjustment



A/B120-204 Installation dimensions



Install & Dismantle of drawer

