

Vee®

VEE INDUSTRIES, INC.

**Commercial
and
Residential
Controls
& Accessories**

**Serving the
Garage Door &
Gate Industry
Since 1969**





VEE INDUSTRIES, INC.

*Serving the Garage Door &
Gate Industry Since 1969*

At **VEE INDUSTRIES, INC.** we pride ourselves on providing:

V **QUALITY**

V **PERSONAL SERVICE**

V **DEPENDABILITY**

Our **V** products are custom made and
assembled by hand in Boynton Beach, FL, USA
since 1969.

Canada & Outside Florida: 800.327.3332

Phone: In Florida 561.732.1083

Fax: 561.734.8195

www.veeindustries.com

sales@veeindustries.com



TABLE OF CONTENTS

INDUSTRIAL CONTROLS

Page 1 :	Exterior Surface Mount Key switches
Page 2:	Exterior & Interior Flush Mount Key switches
Page 3:	Single Gang & Specialty Controls
Page 4:	Interior Push Button Stations
Page 5 & 6:	Exterior Push Button Stations
Page 7:	Additional Interior & Exterior Push Button Stations
Page 8:	Additional Exterior & Custom Controls
Page 9:	Ceiling & Wall Pull Stations
Page 10:	Loop Detectors & Photo Cells
Page 11:	Loops, Pneumatic Edge Controls, Coil Cords, & Cord Reels
Page 12:	Limit Switches

RESIDENTIAL CONTROLS


Page 13:	Residential Key Switch
Page 14:	Post Mount Key Switches and Mechanical Disconnect Devices
Page 15:	Residential Push Button & Exit Button
Page 16:	Liftmaster® Remote Controls & Keyless Entry
Page 17 & 18:	Liftmaster® Keyless Entry & My Q™ Security + 2.0™
Page 19:	Liftmaster® Residential Universal Radio Controls, Commercial Receivers & Transformer
Page 20 & 21:	Linear Radio Controls
Page 22:	Linear – Multi-Code, Stanley, Megacode
Page 23:	Allstar by Linear and Genie Radio Controls
Page 24:	Liftmaster and Genie Residential Parts Accessories, Extension Cords, Capacitors and Lubricant
Page 25 - 28:	Dimensional Drawings
Page 29:	Schematics
Page 30:	Contact Configuration Information





1KX

1KX SURFACE MOUNT KEY SWITCH

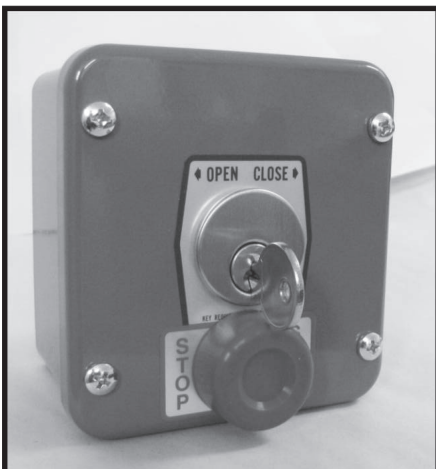
Tamperproof
 OPEN-CLOSE, center return, momentary contact
 Painted gray enamel, die cast aluminum
 S.P.D.T. Form "A" contacts
 Rated: 3 amp., 240V. AC
 U.L. rated 3 R CUL 
 Meets NEMA types 1, 2, 3R, 4, 6, 12, 13 and ICS NEMA standards.
 Available with Best Cylinder or Equivalent



1KXL


1KXL SURFACE MOUNT KEY SWITCH


Tamperproof
 2 Position ON / OFF
 Painted gray enamel, die cast aluminum
 Rated: 3 amp., 240V. AC
 Meets NEMA types 1, 2, 3R, 4, 6, 12, 13 and ICS NEMA standards.
 Key removable center
 Available with Best Cylinder or Equivalent



1KXS

1KXS SURFACE MOUNT KEY SWITCH

Tamperproof
 OPEN-CLOSE, center return, momentary contact
 Painted gray enamel, die cast aluminum
 S.P.D.T. Form "A" contacts
 Rated: 3 amp., 240V. AC
 U.L. rated 3 R CUL 
 Meets NEMA types 1, 2, 3R, 4, 6, 12, 13 and ICS NEMA standards.
 Available with Best Cylinder or Equivalent

 Made Exclusively by Vee Industries, Inc.
 in Boynton Beach, FL, USA.



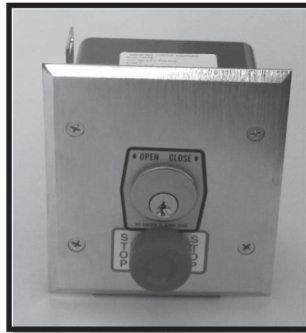
FLUSH MOUNT COMMERCIAL CONTROLS



1KFX

1KFX EXTERIOR FLUSH MOUNT KEY SWITCH

Tamperproof
Momentary contact, Form "A" contact, S.P.D.T.
Rated: 3A., 240V AC
All components are U.L. recognized.
Meets NEMA types 1, 2, 3, 3R, 5, 6,12, and 13 requirements.
Available with Best Cylinder or Equivalent



1KFXS


1KFXS EXTERIOR FLUSH MOUNT KEY SWITCH

With stop button
Tamperproof
Momentary contact, Form "A", S.P.D.T., Form "B" stop.
Rated: 3A., 240V AC
All components are U.L. recognized.
Meets NEMA types 1, 2, 3, 3R, 5, 6,12, and 13 requirements.
Available with Best Cylinder or Equivalent.



1KF


1KF INTERIOR FLUSH MOUNT KEY SWITCH


Tamperproof
Aluminum die cast enclosure
Chrome plated face plate, satin finish
OPEN-CLOSE, center return
Momentary contact, Form "A", S.P.D.T.
Rated: 3A., 240V. AC
Meets NEMA 1 and 2
U.L. listed, CUL 
Available with Best Cylinder or Equivalent.



1KFS

1KFS INTERIOR FLUSH MOUNT KEY SWITCH WITH STOP BUTTON

Tamperproof
Aluminum die cast enclosure
Chrome plated face plate
OPEN-CLOSE, center return
Momentary contact, S.P.D.T., Form "A" contact, Form "B" stop
Rated: 3A., 240V AC
Meets NEMA 1 and 2
U.L. listed, CUL 
Available with Best Cylinder or Equivalent.

 Made Exclusively by Vee Industries, Inc.
in Boynton Beach, FL, USA.



SINGLE GANG & SPECIALTY CONTROLS



1KSM

1KSM INTERIOR KEY SWITCH

Flush mount/wall mount key switch in handy box, NEMA 1
OPEN-CLOSE, center return
Momentary contact, Form "C" connected to common and N.O. contacts.
Stainless Steel wall plate Tamperproof
Available with Best Lock or Equivalent.
Rated: 3 amp., 240V. AC



1KSML



1KSML with BL

1KSML INTERIOR KEY SWITCH

Flush mount/wall mount key switch in handy box, NEMA 1
ON-OFF
Stainless Steel wall plate
Available with Best Lock or Equivalent.
Tamperproof. Rated: 3 amp., 240V. AC.



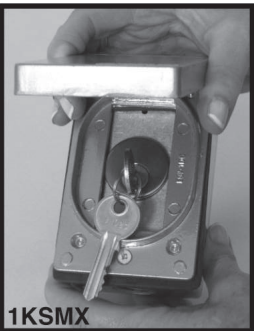
1KSMS

1KSMS INTERIOR KEY SWITCH W/STOP BUTTON

Flush mount/wall mount key switch in handy box, NEMA 1
Momentary contact, S.P.D.T. Form "C" connected to common and N.O. contacts.
Stainless Steel wall plate
Mortise cylinder, open-close, center return, stop
Tamperproof Rated: 3 amp., 240V. AC.

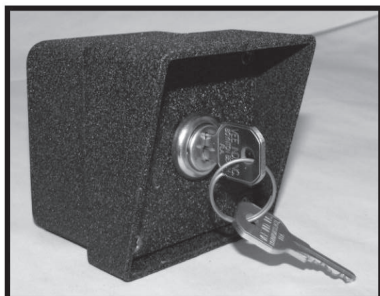


1KSMX



1KSMX EXTERIOR SURFACE MOUNT KEY SWITCH

Weatherproof cover
OPEN-CLOSE, center return
Momentary contact, Form "C" connected to common and N.O. contacts, S.P.D.T.
Can be supplied with tamperproof screws.
Available with Best Lock or Equivalent.
4-1/2" x 2-3/4" x 2"
May be post mounted
Rated: 3 amp., 240V. AC.



GKS-1 and GKS-2

GKS-1 GATE CONTROL KEY SWITCH

With 1 S.P.D.T. contact, Form "C" contact
Surface mount, exterior
Tamperproof exterior type
Black crackle finish, die cast aluminum
Spring return to center
May be post mounted
Rated: 3 amp., 240V. AC.

GKS-2 GATE CONTROL KEY SWITCH

With 2 S.P.D.T. contacts
Form "C" contacts (Other features are like GKS-1.)



INTERIOR PUSH BUTTON STATIONS



PBS - 3S

Interior Push Button Station, OPEN, CLOSE, STOP
 Momentary Contact, for interior use
 NEMA 1 Enclosure, with no side Knockouts in Utility Box to Minimize Dust Entry.
 Two Form A (N.O.) and One Form (B) (N.C.) Contacts
 Buttons Green on Open & Close, Red on Stop
 CUL Listed for Pilot Duty, 39D2
 File # E100092, Rated, 3A, 240VAC. Stainless Steel Wall Plate



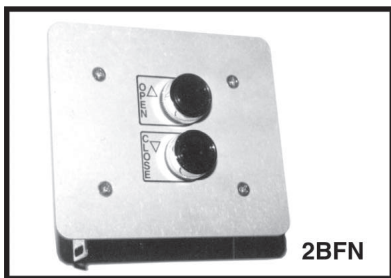
PBU-3

SURFACE MOUNT, 3 PUSH BUTTON STATION

General purpose surface mount
 Momentary contact on OPEN-CLOSE, NEMA 1
 H = 5 5/16", W = 2 3/8", D = 1 13/16"
 Green Open, Close, Red Stop,
 under The Height
 Rated 5 amp., 240 VAC



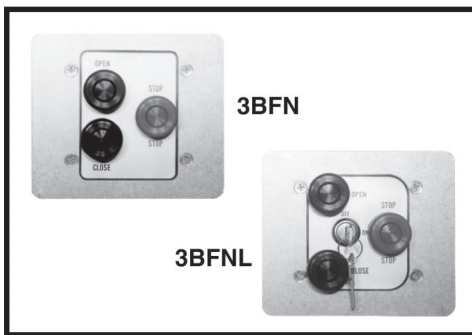
* Made Exclusively to Vee's specifications in Taiwan.



2BFN

FLUSH MOUNT, 2 PUSH BUTTON STATION

General purpose interior control
 Momentary contact
 2 form "A" contacts
 Single button also available



3BFN

INTERIOR FLUSH MOUNT CONTROL

Black open, close, Red Stop
 H = 5 9/64", W = 5 7/8", D - 2 5/8

3BFNL

Interior flush mount three button control with lockout

1BWS, 2BWS & 3BWS

INTERIOR SURFACE/FLUSH MOUNT, 1, 2, & 3 PUSH BUTTON STATION

All with stainless steel wall plate that fits standard utility box 2 1/8"x 4".
 Rating: 10A., 125/250 V. AC, 1/4 HP, 125 VAC.
 Fine silver contacts Momentary contact
 Component switches are U.L. recognized, CSA certified.

1BWS - 1 button station

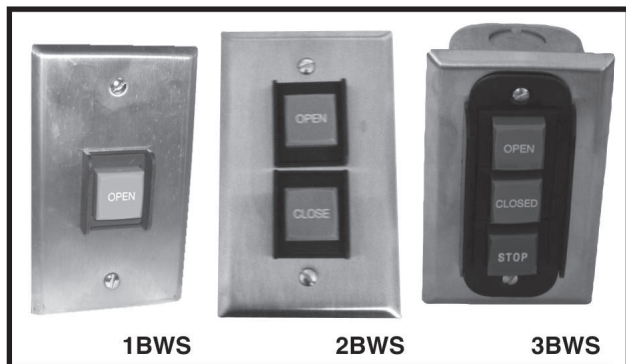
One form A (N.O.) contact

2BWS - 2 button station

Two form A (N.O.) contacts

3BWS - 3 button station

One form A (N.O.) and one form B (N.C.) contact




Made Exclusively by
Vee Industries, Inc. in
Boynton Beach, FL,
USA.



EXTERIOR PUSH BUTTON STATIONS




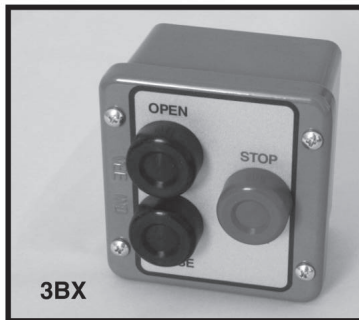
1BX EXTERIOR SURFACE MOUNT, 1 BUTTON STATION

1 button, momentary contact
N.O. contact, Form "A" contact
CUL rated 4 Rated: 3 amp., 240V. AC. 
U.L. rated 3 R
Meets NEMA 4 requirements when installed with liquid conduit. U.L. 4 ratings also meets 1, 2, 3R, 4, 5, 6, 12, 13 and ICS NEMA standards.




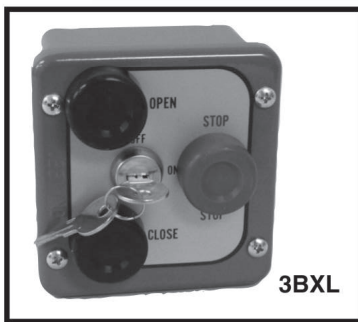
2BX EXTERIOR SURFACE MOUNT, 2 BUTTON STATION

2 buttons, momentary contact.
N.O. contacts, Form "A" contacts.
U.L. rated 4 Rated: 3 amp., 240V. AC. 
CUL rated 3 R
Meets NEMA 4 requirements when installed with liquid conduit. U.L. 4 ratings also meets 1, 2, 3R, 4, 5, 6, 12, 13 and ICS NEMA standards.




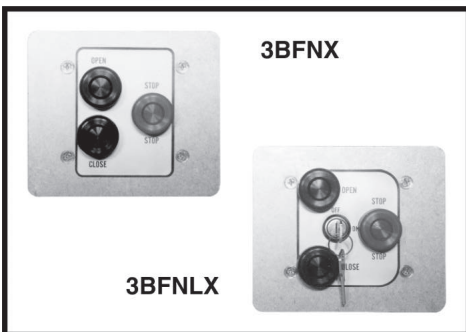
3BX EXTERIOR SURFACE MOUNT, 3 BUTTON STATION

3 single pole, momentary contacts, 2-N.O., 1-N.C., 2-Form "A", 1-Form "B" contacts
CUL rated 4 (exterior)
Rated: 3 amp., 240V. AC. 



3BXL EXTERIOR SURFACE MOUNT, 3 BUTTON STATION

3 single pole, momentary contacts, 2-N.O., 1-N.C., 2-Form "A", 1-Form "B" contacts.
With key lockout.
CUL rated 4 (exterior) 
Rated: 3 amp., 240V. AC.
Meets NEMA 4 requirements when installed with liquid tight conduit. U.L. ratings also meet 1, 2, 3R, 5, 6, 12, 13 and ICS NEMA standards.




3BFNX

Exterior flush mount control, 3 single pole, momentary contacts, 2-Form "A", 1-Form "B" contacts.

3BFNLX

Exterior flush mount control with lockout, 3 single pole, momentary contacts, 2-Form "A", 1-Form "B" contacts.

 Made Exclusively by Vee Industries, Inc.
in Boynton Beach, FL, USA.



EXTERIOR PUSH BUTTON STATIONS (continued)



3BXXT

3BXXT

EXTERIOR SURFACE MOUNT, 3 BUTTON STATION

3 single pole, momentary contact, 2-Form "A", 1-Form "B" contacts

Rated: 3 amp., 240V. AC. IEC symbols at push buttons

Meets NEMA 4 requirements when installed with liquid tight conduit. U.L. ratings also meet 1, 2, 3R, 4, 5, 6,12,13 and ICS NEMA standards.



3BXXTL

2BXXTL

3BXXTL

EXTERIOR SURFACE MOUNT, 3 BUTTON STATION WITH "LOCKOUT"

3 single pole, momentary contact, 2-N.O., 1-N.C., 2-Form "A", 1-Form "B" contacts
"Lock out" key removable in both positions.

Rated: 3 amp., 240V. AC.

For 2 pole contacts, add "-2" suffix to model.

IEC symbols at push buttons.

Meets NEMA 4 requirements when installed with liquid tight conduit. U.L. ratings also meet 1, 2, 3R, 4, 5, 6,12,13 and ICS NEMA standards.

2BXXTL

Same as above except: 2 single pole N.O. contacts, Form "A" contacts 



3BXXTL-B

3BXXTL-B

EXTERIOR SURFACE MOUNT, 3 BUTTON STATION

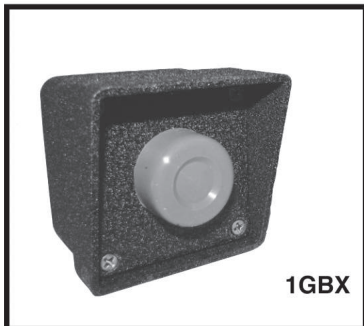
3 single pole, momentary contact, 2-N.O., 1-N.C., 2-Form "A", 1-Form "B" contacts
With Best Lock "Lockout" or Equivalent

CW on and CCW off at 12 o'clock position.

IEC symbols at push buttons Rated: 3 amp., 240V. AC.

Meets NEMA 4 requirements when installed with liquid tight conduit. U.L. ratings also meet 1, 2, 3R, 4, 5, 6,12,13 and ICS NEMA standards.

Also Available: 3 BXXTL-M – with Mortise Cylinder



1GBX

1GBX

1 Button, N.O. or N.C.

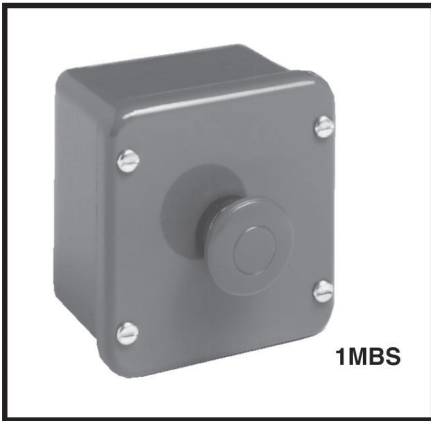
Rated: 3 amp., 240V. AC. Die cast aluminum

Meets NEMA 4 requirements when installed with liquid tight conduit.

* Dimensions are Approximate



ADDITIONAL INTERIOR PUSH BUTTON STATIONS



1MBS

1 MUSHROOM BUTTON STATION – NEMA-1



Function: STOP or START, one (1) push button station

Rating: One form “Z” (NO.+N.C.) contact
3 amps, 240 V.A.C., momentary contact
UL & CSA Component parts

Application: To open most industrial garage doors
or emergency stop.
Surface mount

Also available: 1 MBX-NEMA-4, 4x, 12, 13 oiltight and watertight



1MWS



Wall switch mushroom head mounted on s/s wall plate with
single gang box

Interior push button rated 3A, 240V

D.P.S.T. momentary, flush mount or surface

UL & wall plate and gang box, button



1BES



Wall switch mushroom head mounted on plastic wall plate
hot stamped “Exit” in red letters.

Ideal for handicap exit, rated 3A, 240V D.P.S.T.,
momentary, flush mount or surface.

UL & wall plate and gang box, button



Made Exclusively by Vee Industries, Inc.
in Boynton Beach, FL, USA.



ADDITIONAL EXTERIOR AND CUSTOM CONTROLS



3BWD

Exterior Control Station



Open - Close - Stop

H = 4 1/2", W = 2 3/4, D = 2 3/4

Rating: 3A, 240 VAC, UL & CSA component parts

Ideal for water or oil splash locations

FLUSH MOUNT & GANGED CONTROL STATIONS



5G3-PBS-3

Ganged control stations factory furnished mounted to stainless steel face plate. Complete with cover screws ready for wiring and mounting to your installed 2 1/8" deep standard gang box or masonry box.

No. of Units	Enclosure Req'd.*	
2 gang	3 gang box	3G2-PBS-3
3 gang	5 gang box	5G3-PBS-3
4 gang	7 gang box	7G4-PBS-3

* Key switch may be Added

* Please allow 3 - 4 weeks lead time

FACEPLATE LEGEND

- OPEN-CLOSE-STOP
- OPEN-CLOSE
- START or CONTROL

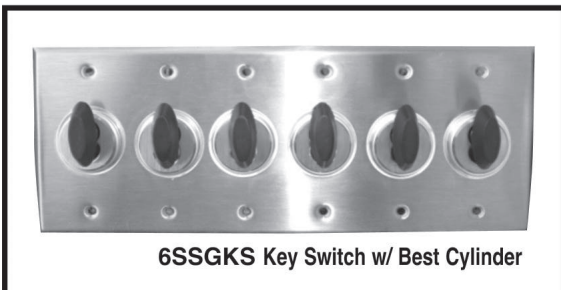
* NOT FURNISHED - SEE ELEC. SUPPLY HOUSE

Custom built to your requirements.

Ganged & keyed stations factory mounted to stainless steel face plate. Complete with cover screws ready for wiring and mounting to your installed 2 1/8" deep standard gang box or masonry box.

No. of Units	Enclosure Req'd.*	
1 gang - 1 key	2 gang box	2G1-PBS-3L
2 gang - 2 keys	4 gang box	4G2-PBS-3L
3 gang - 3 keys	6 gang box	6G3-PBS-3L

* Not Furnished - See Electric Supply House. Please allow 3 - 4 weeks



6SSGKS Key Switch w/ Best Cylinder

6SSGKS

KEY SWITCH W/ BEST CYLINDER



Custom control using Best Lock cylinders and plastic core

Custom built to your requirements.

* Please allow 3 - 4 weeks.

This is an example of one of our many custom designs . . . Let us build a custom control for you!



Made Exclusively by Vee Industries, Inc. in Boynton Beach, FL, USA.



CEILING & WALL PULL SWITCHES



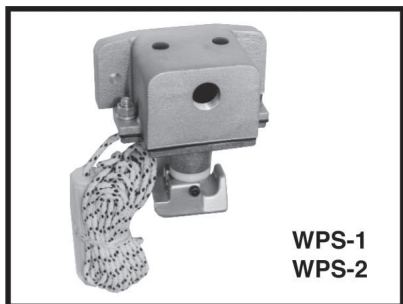
WP-1
WP-2

WP-1 EXTERIOR WALL MOUNT PULL SWITCH

30 degree swivel from vertical
Momentary contact Form "B" contacts S.P.S.T. connected to common and N.C.
Die cast aluminum construction
Supplied with 20' cord and pull handle
Meets NEMA 4 requirements when installed with liquid tight conduit.
Meets 1, 2, 3R, 5, 6, 12, 13 and ICS NEMA standards.

WP-2 EXTERIOR WALL MOUNT PULL SWITCH

Same as above except: Momentary contact Form "Z" contacts S.P.D.T. connected to common and N.C.



WPS-1
WPS-2

WPS-1

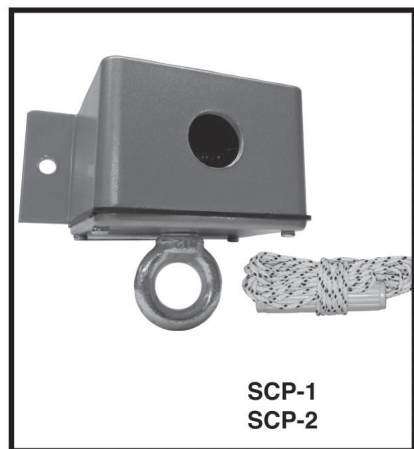
Wall pull switch, S.P.S.T., Momentary contact, NEMA 4, Enclosure, (aluminum die cast) with Bronze sleeve bearing providing smooth pull down actuation, cast aluminum rotating cam. Cam rotates 360 degrees and pivots downward 30 degrees off vertical from any direction. Designed for industrial doors and fast moving lift truck operators.

Rating: 3A, 240V

Two (2) 3/8" diameter holes on top for ceiling mounting (holes are plugged). UL and CSA component parts

WPS-2

Same as above except: Momentary contact Form "Z" contacts S.P.D.T. connected to a common and N.C.



SCP-1
SCP-2

SCP-1 EXTERIOR SURFACE MOUNT CEILING PULL SWITCH

30 degree swivel from vertical
Momentary contact Form "B" S.P.S.T.
Die cast aluminum construction
Painted battleship gray high gloss enamel
Supplied with 20' cord and pull handle
Meets NEMA 4 requirements when installed with liquid tight conduit.
Meets 1, 2, 3R, 5, 6, 12, 13 and ICS NEMA standards.

SCP-2 EXTERIOR SURFACE MOUNT CEILING PULL SWITCH

Same as above except: Momentary contact Form "Z" S.P.D.T.



CP-1
CP-2

CP-1 EXTERIOR SURFACE MOUNT CEILING PULL SWITCH

Form "C" contacts, S.P.S.T. connected to common and N.O.
Die cast aluminum construction
Supplied with 20' cord and pull handle
CUL rated 3R. Rated at 3 amp., 240V. AC.
Meets NEMA 4 requirements when installed with liquid tight conduit.
U.L. ratings also meets 1, 2, 3R, 5, 6, 12, 13 and ICS NEMA standards.



CP-2 EXTERIOR SURFACE MOUNT CEILING PULL SWITCH

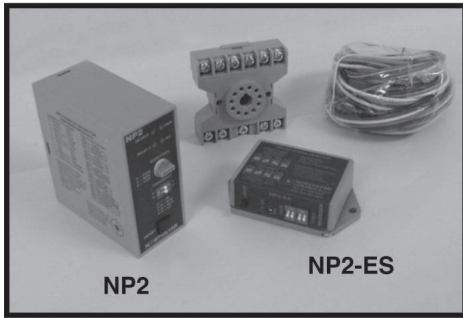
Same specifications as above except, momentary contact Form "Z" contacts S.P.D.T. connected to common and N.O.



Made Exclusively by Vee Industries, Inc. in Boynton Beach, FL, USA.



LOOP DETECTORS & PHOTOCELLS



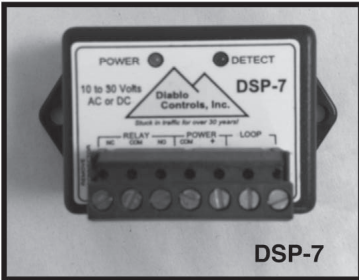
NP2 Series Boxed Detector

Single Channel Dual Relay Output, Fail Safe & Fail Secure Output
10 Sensitivity and 4 Frequency Settings Output Delay and Extend
Selectable Pulse Lengths, Pulse on Entry and Leaving
Permanent Presence Over-Voltage Protection
120VAC, 24VAC, 24VDC/AC & 12VDC versions

Harness & Socket for NP2

NP2-ES Series Plug-In Detector

Single Channel, Dual Solid State Output
Replacement for Elite and Sentex operators
4 Sensitivity and 4 Frequency Settings Power Supply 10 - 30V AC or DC



DSP-7

Micro sized plug & play loop detector 7- pin removable terminal strip
10-30 volts AC/DC, 25 ma 2 mounting ears
Comes with Velcro mounting patch.
1.52" high, 2.9" wide, 1.56" deep.

No setup - No tuning - No adjustments.

"Fail-Safe" vehicle detector designed specifically to handle gates, parking, drive-through and other access control applications.



DSP-10

Vehicle detector 11- pin Amphenol base Standard pin outs
4 models: 12 VDC, 24 VDC, 24VAC, 117 VAC.
Front panel switches for all settings, A & B relay outputs
Power protected – "fail safe" and is the only parking detector you will ever need.
2.375" high, 1.75" wide, 3.61" deep



DSP-11

The DSP-11 is an 11-pin Amphenol-style base detector with no switches, requiring no setup and no adjusting.

The DSP-11 is available in three models. A low-voltage model operates on 10-30V AC/DC and two line-voltage models operate on 117V AC and 230V AC.

All models are voltage protected; if you plug into incorrect voltage, the detector will not be destroyed. When you reconnect to proper voltage, it works. The unit carries a 5-year warranty. More information is at www.diablocontrols.com.

1.4" H, 1.4" W, 2.75 Long



IRB-4X

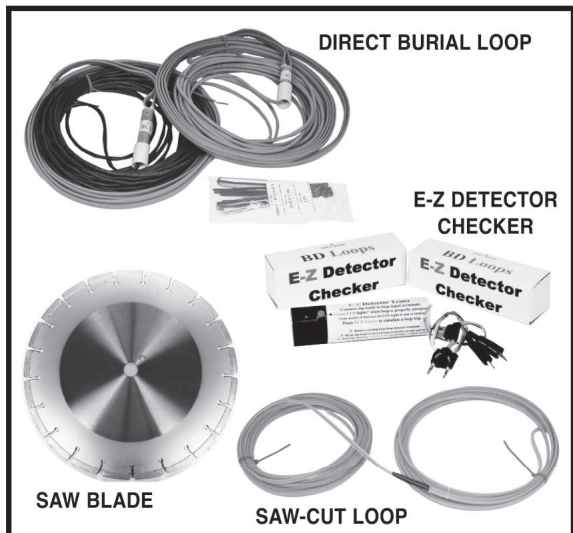
IRB-4X INFRARED MODULATED CONTROL

Polystyrene NEMA 4X box with optional anodized aluminum hood
Easy to install Cost effective Infrared photocell has no lenses
Supervised relay output provides an "open" signal in case of power failure.
Modulated infrared beam is not affected by sunlight, rain, dust or dirt.
Wide detection angle of 240° Range: Low - 25ft Medium - 50ft High - 75ft
Power: 12V to 24V AC or DC Relay contacts: 5A, 30VDC or 250VAC
Dimensions: 3.7" x 2.56" x 2.24" (L x W x D) No focusing lens

Gold Anodized aluminum protective hood - PLEASE ORDER SEPARATELY



PNEUMATIC EDGE CONTROLS, COIL CORDS & CORD REELS



BOXPREFORMED DIRECT BURIAL LOOP

Used for installations under concrete, asphalt, pavers, or gravel roads. The most common installation is the loop tied directly to the rebar before concrete is poured. Wire is UL 493 certified designed for a direct burial application. Each loop comes with an installation kit.

E-Z DETECTOR CHECKER

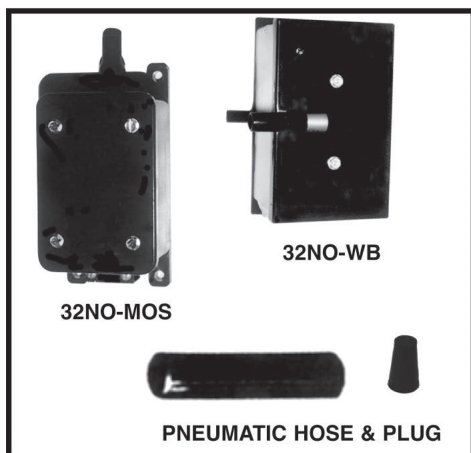
The E-Z Detector Checker is a fully functional loop that fits into your hand used for servicing gates. Small, compact and easily fits in your truck. It is the only device of its kind that can pinpoint what is wrong with a gate system.

CONCRETE, ASPHALT AND COMBO BLADES

All of the saw blades are 14" in diameter. Can be used in machines up to 25 horsepower.

SAW-CUT LOOP

Used for saw-cut installations where a 3/16" groove is cut into the concrete or asphalt and the wire is stuffed and sealed (using loop sealant) into the surface. The only preformed saw-cut loop with a true installation kit designed to ensure a perfectly size cut every time. Works best with 3/16" saw-cut blade or wider.



32NO-MOS

EXTERIOR 3 WIRE SWITCH IN PLASTIC BOX

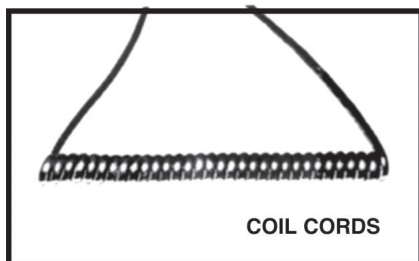
32NO-WB

EXTERIOR 2 WIRE SWITCH IN METAL BOX

Weatherproof cast aluminum 1/2" diameter outlets
 2 3/4" x 4 1/2" x 2" deep Stem fits 3/8" I.D. hose
 Gaskets and screws included

PNEUMATIC HOSE & PNEUMATIC PLUG

7/16" I.D. x 5/8" O.D. 60 durometer EPDM



COIL CORDS

Retractable coil cords for door and gate application. High quality cord with 6" straight lead on each end. U.L. type SVED (oil resistant) 300V. temperature range -70°C (-94°F) to 105°C (221°F)

Model	Type	Retracted Length	Extended Length	AWG Size
2 - 10 - 2	SVEO	20"	10-ft.	18/2
2 - 12 - 2	SVEO	24"	12-ft.	18/2

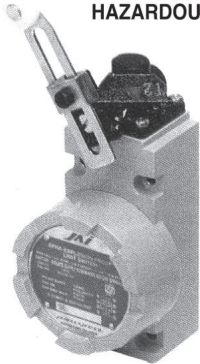


CORD REELS

Retracting cord reels provided without stops for door and gate industries. Supplied with mounting brackets.

Model	Mat. Dia.	Type	Ext. Length	AWG\ Conductors
CRP-2/20	Plastic 6"	SVT	20 ft.	18 / 2
CRM-3/30	Metal 9 1/2"	SJO	30 ft.	18 / 3

EPHA LIMIT SWITCHES
EXPLOSION-PROOF
HAZARDOUS ATMOSPHERE



OIL TIGHT LIMIT SWITCHES
IP 67

IS : 13947



Pt 5 / Sec - 1 C US

JLSCW

JLSJW

JLSLA

Ac Rated 6A at 110V, 3A at 220V

LL-5108



Rating: 10A250VAC
 Operation Force (OF): 1,360g max.
 Reset Force (RF): 227g min.
 Pretravel (PT): 20° max.
 Overtravel (OT): 30° min.
 Movement Differential (MD): 12° max.
 Total Force (TF): 2.720g max.
 Total Travel (TT): 50° min.

Spec. description

Economical, Miniature Limit Switch
Rigid Construction

FEATURES:

- Built-in basic switch with double spring mechanism
- Long life (10,000,000 mechanical operations)
- Highly rigid construction (Head and cover snugly fit in box)
- Dustproof and drip-proof construction
- Smooth operation with greater OT
- Easy-to-wire conduit opening design

AZ-8169

AZ-8104

AZ-8108

LL-5102



Rating: 10A250VAC
 Operation Force (OF): 1,200g max.
 Pretravel (PT): 55° max.
 Overtravel (OT): 35° min.
 Operating Position (OP): 90±10°



RESIDENTIAL CONTROLS & ACCESSORIES



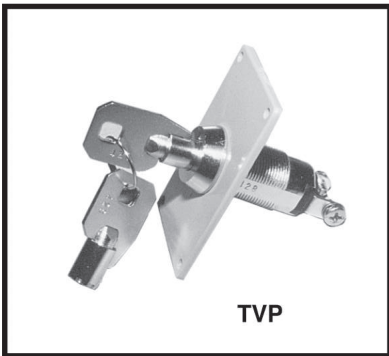
KS-1
KS-MK-1

KS-1 PLASTIC KEY SWITCH

Key switch with lexan plastic barrel
Mounting plate dimensions: 2 1/2" x 1 5/8"
4 nails, 2 keys
Imprint available
80 key codes
May be keyed in Pairs with D-2
Not recommended for multiple dwellings as key codes may interchange
Also Available in 2 position KS-1C
Rated 5 AMP 240 VAC

KS-MK-1 MASTER KEY

Master key KS-1 -25 Codes available. May be matched to DM-2.



TVP

TVP Key Switch

DESCRIPTIONS:

Zinc Alloy Die Casted Housing and Cylinder Chrome Plated
Tubular Key Chrome Plated, with 2 Keys
Maintaining Contact Spade Terminal, 2 Terminals
60 Combinations Available May be keyed in pairs with D-VP
Spring Return Type (Spring Loaded For Momentary Contact, Off-On Type)
Recommended for Multiple Dwellings.
Also Available Maintained Contact TVP-1C

SPECIFICATIONS:

Contact Rating: 4A 125V AC, 2A 250V AC.
Contact Resistance: 10 MILLI-OHMS MAX.
Insulation Resistance: 500 MEG-OHMS MIN. (500V DC)
Dielectric Strength: 1500V AC - 1 Minute.
Available - Aluminum Plate, Metal or Rubber Cover

See dealer price sheet. TVP available with either Lexan Plastic Mounting Plate for Imprint or Aluminum Plate - no Imprint. Dust cap available in rubber or metal.

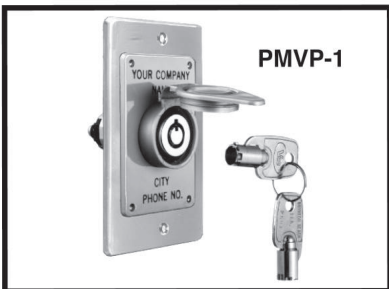


PMKS-1

PMKS-1

RESIDENTIAL KEY SWITCH WITH HANDY BOX COVER

Same as KS-1 except riveted to metal handy box cover, dimensions:
4 3/16" x 2 5/16".
Supplied with 2 anchor nails and mounting screws for handy box.



PMVP-1

PMVP-1 PLATE MOUNTED KEY SWITCH

Same as TVP-1 except riveted to metal handy box cover, dimensions:
4 3/16" x 2 5/16".
Supplied with 2 anchor nails and mounting screws for handy box.

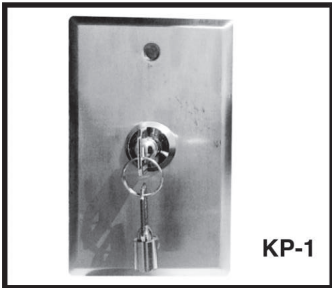


Made Exclusively by
Vee Industries, Inc. in
Boynton Beach, FL, USA.



1 KPX
NEMA 4 POST MOUNT
EXTERIOR SURFACE MOUNT KEY SWITCH

Single Throw, Center Return w/ Cylindrical Key
 H = 4 1/2", W = 2 3/4", D = 2"



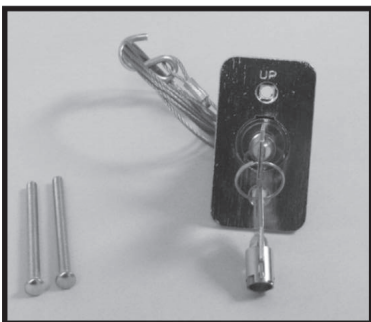
KP-1
NEMA 1 POST MOUNT
INTERIOR SURFACE MOUNT KEY SWITCH, w/ Cylindrical Key

Single Throw, Center Return
 H = 4 1/2", W = 2 3/4", D = 2"



D-2
OUTSIDE DISCONNECT DEVICE

Outside disconnect device operated from outside
 Available with 3', 6', or 8' cables. (6' and 8' cables primarily for doors using jamb hardware)
 Specify D-2 for disconnect device with key to match KS-1
 Mounting plate dimensions: 2 1/2" x 1 3/32"
 80 Key Codes Available



D-VP
OUTSIDE DISCONNECT DEVICE

Outside disconnect device key operated from outside
 Available with 3', 6', or 8' cables (6' and 8' cables primarily for doors using jamb hardware)
 May be keyed in pairs with TVP to provide matching set
 Mounting plate dimensions: 2 31/64" x 1 3/8"
 60 Key Codes Available
 Recommended for Condominiums & Multiple Dwellings



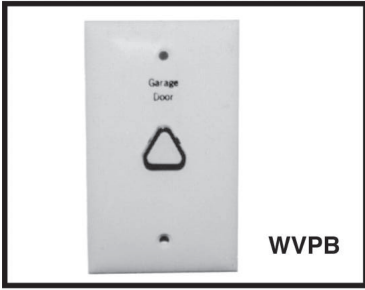
DM-2
MASTER KEYABLE CODES OUTSIDE DISCONNECT DEVICE

Outside disconnect device operated from outside
 Available with 3', 6', or 8' cables (6' and 8' cables primarily for doors using jamb hardware)
 Mounting plate dimensions: 2 1/2" x 1 3/32"
 25 Key Codes Available

Made Exclusively by Vee Industries, Inc.
 in Boynton Beach, FL, USA.



RESIDENTIAL CONTROLS & ACCESSORIES (continued)

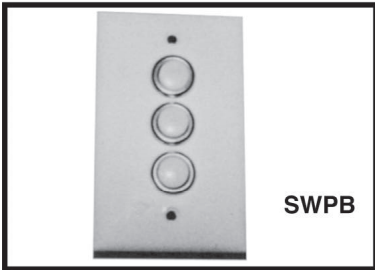


WVPB

Push Button Station with Garage Door Imprint



Rated 125V AC 3A, available with company name imprint



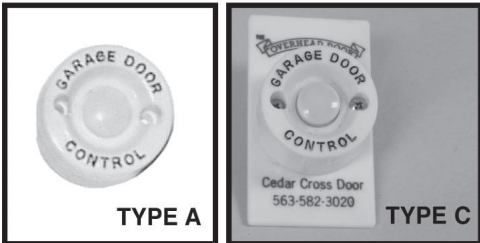
SWPB

3 Button Station on Single Gang Plate



White Plastic Wallplate

For use with 22 AWG - 24 V.A.C. max



PB-5

INTERIOR PUSH BUTTON

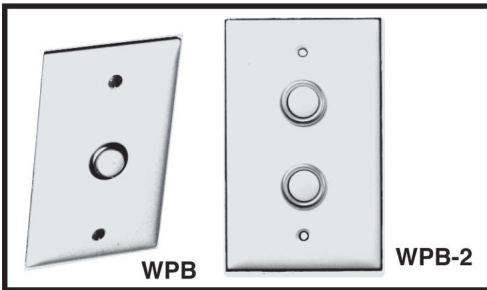


Type A - Interior push button

Type C - Interior push button with mounting plate available for imprint.

Mounting plate dimensions: 2 15/16" x 1 5/8"

** Made Exclusively to Vee's specifications in Taiwan.*



WPB

WPB-2

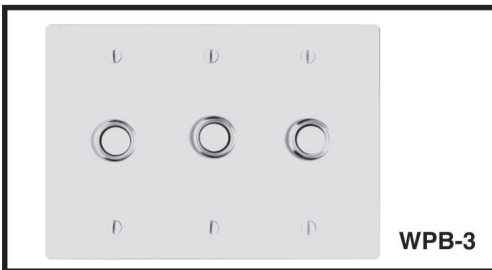


Available on White Plastic Wall Plate

24 Volt Maximum

1 Push Button, for Single Gang Box

2 Push Buttons, for Single Gang Box



WPB-3



Available on White Plastic Wall Plate

24 Volt Maximum

3 Push Buttons, for 3 Gang Box



Made Exclusively by Vee Industries, Inc. in Boynton Beach, FL, USA.



AC-EB3

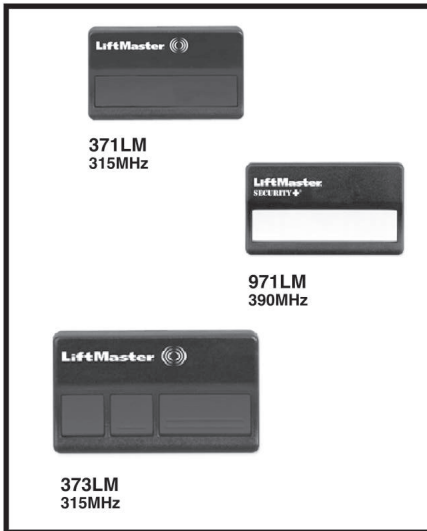
Exit Button 4.08"L x 1.43"w x .90"D

Stainless Steel Plate

Unit is shipped in one box

SECURITY +® MULTI-FUNCTION REMOTE CONTROLS

Remote controls featuring rolling technology. Compatible with LiftMaster® Security +® Garage Door Openers and Radio Controls.



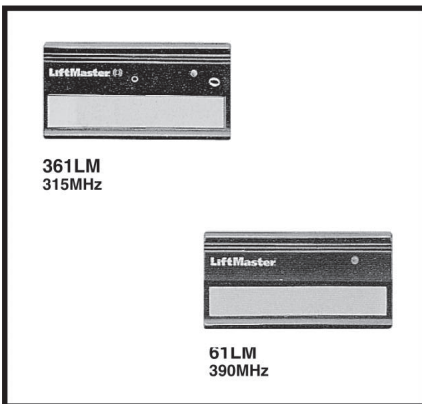
Single-Button Remote Control

Features Security +® Rolling Code Technology
 Directional visor clip included
 5-year 3V lithium battery included

Three-Button Remote Control

Each button features Security +® Rolling Code Technology
 Directional visor clip included
 5-year 3V lithium battery included

DIGITAL CODE REMOTE CONTROLS



Single-Button Remote Control

Easy code selection, 9-position trinary DIP switches with 19,683 changeable codes per channel
 Red LED indicates battery strength and signals sent transmissions
 12V battery and directional visor clip included

WIRELESS KEYLESS ENTRY SYSTEMS



Universal Wireless Keypad

Completely wireless for easy installation
 Bright illumination backlighting allows easy visibility at night
 300/310/315/368/390 MHz compatible
 Note: Not compatible with garage door openers manufactured by Marantec, Hormann or Napoleon Lynx

WIRELESS KEYLESS ENTRY SYSTEMS

MODEL NO.

DESCRIPTION



877LM LiftMaster® MyQ® Security +2.0 Wireless Keyless Entry

Compatible with LiftMaster® Security +® Garage Door Openers and Radio Control Receivers only
 Open or close garage door without using remote control or key
 Users can also program temporary code for friends and service people
 Close garage door instantly with one press activation



877MAX Must have Learn button

Works with Liftmaster garage door openers and commercial operators manufactured since 1993
 Opens or closes the garage door using a private 4-digit code
 Able to be programmed with a temporary access control for visitors or delivery personnel
 Mounts outside of garage for convenient access
 One-button-to-close function

LIFTMASTER® MY Q™ SECURITY + 2.0™ REMOTES AND ACCESSORIES

MODEL NO.

DESCRIPTION



825LM Security + 2.0™ Remote Light Control

Controls House Lights
 Compatible with new Liftmaster MyQ Garage Door openers
 Will not operate with non MyQ/ other GDO

829LM Security + 2.0™ Garage Door Monitor

Sleek, portable base station lets you monitor the garage door from any room in your house and enables you to close it with the push of a button.
 A red light illuminates and an audible tone sounds if garage door is left open.
 A green light lets you know the door is closed.
 Compatible with garage door openers powered by MyQ

880LM Security + 2.0™ Smart Control Panel

Displays temperature, time and system diagnostics in three languages
 Includes a pushbutton for garage door operation and a lock feature for extra security.
 Features motion-activated opener light control and adjustable light timer option
 Easy, fast programming of remotes and MyQ accessories right from the panel
 Compatible only with Security+ 2.0 garage door opener systems
 New Timer-to-close allows homeowner to automatically close the door after a pre-programmed number of minutes.

Now includes a Maintenance Alert System to keep homeowner's entire garage door opener in good working order.

888LM LiftMaster® MyQ® Security Control Panel

Provides The Upgrade Needed To Utilize Security 2.0
 Easily Program Remote Controls And Myq-Enabled Accessories Directly From The Control Panel



886LM Security + 2.0™ Motion Detecting Control Panel

Must have Yellow Learn Button and 2 yellow antennas
 Include a pushbutton for garage door operation and a lock button for extra security
 Easy, fast programming of remotes via control panel
 Features motion-activated opener light control and adjustable light timer option
 Compatible only with Security+ 2.0 garage door opener systems

891LM Security + 2.0™ Single Button Remote

Must have Yellow "Learn" Button and two yellow antenna
 Code between remote control and receiver changes with each use randomly accessing over a billion codes.
 Use only with Liftmaster Security+ 2.0 products
 Compatible with 877



LIFTMASTER® MY Q™ SECURITY + 2.0™ REMOTES AND ACCESSORIES CONTINUED

MODEL NO.

DESCRIPTION



828LM Security + 2.0™ Internet Gateway with Ethernet cable and transformer

Use with Liftmaster MyQ technology to control garage door opener from anywhere in the world via your smartphone or computer.

Monitor and control lights using MyQ lighting accessories

Must have a router, active internet connection and internet gateway serial number before you start.

Requires creating an account and registering with Liftmaster

877LM Security + 2.0™ Wireless keyless entry

for use with Security + 2.0 with Yellow Learn Button and 2 Antennas

Uses 4 digit code Able to be programmed with temporary access for visitors or delivery personnel

Mounts outside of garage for convenient access

One button to close Supply with 2 mounting screws

881LM Security + 2.0™ Motion Detecting Control

Motion-Detecting Control Panel with Timer-to-close

Includes a pushbutton for garage door operations and a lock button for extra security

Features motion activated opener light control and adjustable light timer option

Easy, fast programming of remotes right from the panel

Compatible only with Security+ 2.0 garage door opener systems

New Timer-to-Close allows homeowner to automatically close the garage door after a pre-programmed number of minutes.

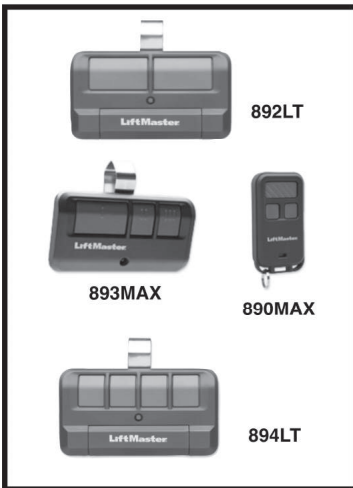
Now includes a Maintenance Alert System to keep the entire garage door opener in good working order.

893LM Security + 2.0™ Three Button Remote

Must have Yellow "Learn" Button and two yellow antenna

Code between remote control and receiver changes with each use randomly accessing over a billion codes.

Compatible with 877 Keypad



892LT 2 Button Learning Remote Control

2 Button Security+ 2.0® Learning Remote Control

893MAX 3 Button Multifunction Remote Control

Compatible with all Liftmaster® operators manufactured January 1993 to present

Can operate up to three Garage Door Openers, Gates or MyQ light device

3V lithium battery included

890MAX Mini 3 Button Remote Control

Replaces 80 series, 970 series, and 370 series remote controls

Compatible with 315 MHz or 390 MHz Liftmaster® garage door openers manufactured after January 1, 1993 with LEARN Button

3V lithium battery included

894LT 4 Button Learning Remote Control

4 Button Security+ 2.0® Learning Remote Control

UNIVERSAL RADIO CONTROLS - RESIDENTIAL

For replacement or repair of LiftMaster® Garage Door Openers manufactured after April 1982. For other brands, consult your local building authority or manufacturer for compliance with current safety standards.



Universal Plug-In Receiver with Built-In Transformer

Compatible with all LiftMaster® Security +® Rolling Code Remote Controls

Plugs into standard polarized 120 volt, 60Hz AC outlet

Includes 2-conductor bell wire

Built-In door control button

Accepts up to 8 Security +® Remote Controls or 1 DIP switch and 12 Billion Code Remote Controls

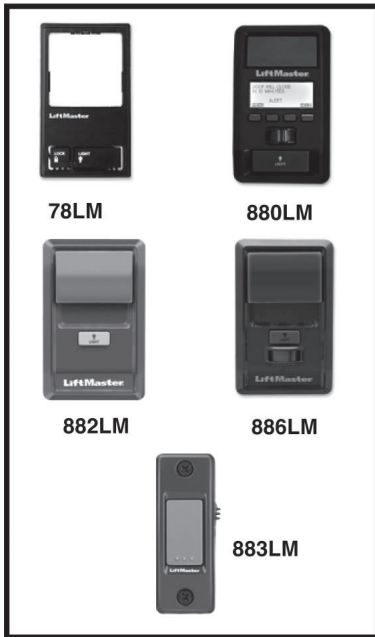
Accepts 1 Keyless Entry code

Only 390 MHz will accept billion code



UNIVERSAL RADIO CONTROL PANELS - RESIDENTIAL CONTINUED

For replacement or repair of LiftMaster® Garage Door Openers manufactured after April 1982. For other brands, consult your local building authority or manufacturer for compliance with current safety standards.



78LM

Multi-function control panel can open and close your garage door, and turn opener lights on/off from inside the garage.

880LM

Take complete control of your garage with our Smart Control Panel®. Its intuitive menu-driven panel lets you easily program remote controls, adjust settings, and even get system diagnostics.

881LM

Lights the way automatically. This motion-detecting control panel turns on the opener lights automatically as soon as you walk in, and is equipped with the Timer-to-Close feature.

882LM

Our Multi-Function Control Panel operates the garage door opener and lights from inside the garage. It also allows for fast, easy programming of accessories with the new learn button.

883LM

The Door Control Button can open and close the garage door and control opener lights. It also makes it easy to program remote controls and MyQ® enabled accessories.

886LM

Lights the way automatically. This motion-detecting control panel turns on the garage door opener lights as soon as you walk in, so there's no more fumbling in the dark garage.



Universal Radio Controls - Commercial

- External 8" whip antenna included
- Security +® Rolling Code Technology and/or billion code/DIP switch compatibility
- 12 volt DC or 18 - 35 volts AC/DC, jumper selectable
- Momentary or constant contact, jumper selectable
- 2-piece aluminum case with detachable cover
- High security memory stores up to 15 Security +® remote control or keyless entry codes
- Normal security memory stores up to 31 LiftMaster® remote control codes of any type
- 3-year warranty

Note: * 390 MHZ only will accept Billion Code

Optional Universal Radio Control Plug-In AC Transformer

- Power input level: 105 - 135 AC
- Plug-in jack for easy installation



375UT Universal Remote Control

- Dual frequency/dual manufacturer design – buttons are independent so it can control two different garage door or gate manufacturers/frequencies at the same time.
- Increased compatibility – available with Wayne Dalton®, Genie® Intellicode, Stanley® SecureCode, and more
- Coin cell battery included 1-year limited warranty
- Compatible with the following brands: Genie®, Linear/Moore-o-Matic®, Stanley®, Overhead Door®, Wayne-Dalton®, Craftsman®, Chamberlain®, LiftMaster®
- 300/310/315/372/390 MHz systems
- Not compatible with garage door openers manufactured by Marantec, Hormann, or Napoleon Lynx

374UT

The Mini Universal Remote Control is compact and portable making getting in and out of your garage or gate quick and easy – no matter what you're doing.



The Delta 3 line offers 256 codes and a 310 MHz frequency, which is ideal for most sites.



KEYPADS

DTKP: Keypad Transmitter

Surface or gooseneck mount wireless keypad for indoor/outdoor applications, built-in transmitter and antenna, keystroke lockout timer, keypad lighting, 9-volt battery powered, transmits any of the 256 codes

RECEIVERS



DR: 1-channel Receiver

24-volt, single-channel, three-terminal Delta-3 receiver, 256 selectable codes



DR-2: 2-channel Receiver

24-volt, two-channel, three-terminal Delta-3 receiver, 128 selectable codes, second channel has Form "C" relay output, 15-foot wire leads for connection to second operator



DR-4: 4-channel Receiver

24-volt, four-channel receiver with Form "C" relay outputs for residential or commercial applications, can be used for Up, Down, and Stop commercial operator control, 64 selectable codes



DRA: 1-channel 12-volt Receiver

12-volt, single-channel, Delta-3 receiver, 256 selectable codes, Form "C" relay output, wire leads for power connection



DRA-4: 4channel 12-volt Receiver

12-volt, four-channel receiver with Form "C" relay outputs for residential or commercial applications, can be used for Up, Down, and Stop commercial operator control, 64 selectable codes



GRD: 1-channel Gate Receiver - 12V/24V

(Replaces the DRG and DRG-LV)

12-30 volt, single-channel, Delta-3 gate receiver, 256 selectable codes, Form "A" relay output, wire leads for power and output connections, Type "F" connector for local or remote antenna, 9-inch local antenna with 3-foot cable and bulkhead connector included



GRD-2: 2-channel Gate Receiver - 12V/24V

(Replaces the DRG-2 and DRG-2-LV)

12-30 volt, two-channel, Delta-3 gate receiver, 256 selectable codes for each channel, two Form "A" relay outputs, wire leads for power and output connections, Type "F" connector for local or remote antenna, 9-inch local antenna with 3-foot cable and bulkhead connector included



DRQP: 1-channel Gate Receiver

24-volt, single-channel, high-gain Delta-3 receiver, 256 selectable codes, Form "C" relay output, wire leads for power connection, Type "F" connector for local or remote antenna, 9-inch local antenna included

TRANSMITTERS



DT: 1-channel Visor Transmitter

One-button, one-channel, 9-Volt battery powered visor transmitter with removable visor clip, 256 selectable codes



DT 3+1: 4-channel Common Gate Access Transmitter

Four-button, four-channel, 9-Volt battery powered visor transmitter with removable visor clip, 256 selectable codes for button #1, 64 selectable codes for buttons #2, 3, & 4



DT-2A: 2-channel Visor Transmitter

Two-button, two-channel, 9-Volt battery powered visor transmitter with removable visor clip, 128 selectable codes



DT-4A: 4-channel Visor Transmitter

Four-button, four-channel, 9-Volt battery powered visor transmitter with removable visor clip, 64 selectable codes



DTG: Safety Edge Transmitter

Single-channel, 9-volt battery powered gate edge obstacle transmitter, connects to safety edge sensor, 256 selectable codes



Mini-T: 1-channel Key Ring Transmitter

Miniature key ring transmitter, black case, white button, key ring supplied, test/operate LED, 256 selectable codes

ACCESSORIES



DVC: Delta-3 Visor Clip

Replacement spring steel visor/belt clip for Delta-3 DT style transmitters



TF524: 24-volt Transformer

120 VAC to 24-volt VAC @ 50 mA transformer for powering door and gate operator receivers



WHIP: Rigid Local Antenna

8-inch solid wire whip antenna with Type "F" connector and soft plastic connector boot

TRANSMITTER / RECEIVER SETS



DS: Delta Single

24-volt, single-channel, three-terminal Delta-3 receiver, 256 selectable codes, with one single-button DT transmitter



DD: Delta Double

24-volt, single-channel, three-terminal Delta-3 receiver, 256 selectable codes, with two single-button DT transmitters



LINEAR TECHNOLOGY



MULTI CODE BY LINEAR (300 MHZ)

- 3060** - Micro-Mini Transmitter
- 3083** - Mini 2 Button
- 4200-1** - Keypad
- 3089** - Transmitter
- 1090** - Receiver

STANLEY COMPATIBLE BY LINEAR (300 MHZ)



309013 Stanley Compatible 310 MHz 1 Channel Receiver

Channel Receiver for residential garage door operators
 Compatible with 310 MHz Stanley and Multicode transmitters only
 Operates on 24VAC Power One Channel
 Codes: 1024 (set by dip switches) 10 Position 310 MHz

308913 1 Channel Visor

Compatible with 310 MHz Stanley and Multi-code receivers
 Supplied with visor clip Easy access to battery and coding switches
 Uses 9 volt battery Codes: 1024 (set by dip switches)

298601 Stanley Wireless Keypad

Tamper-resistant and weatherproof Mounts with 2 screws
 12 button lighted alpha-numeric keypad LED mode indicator
 Uses 9 Volt battery (provided) 4 digit PIN code

105015 1 Channel Stanley Compatible Visor Transmitter

Compatible with 310 MHz Stanley and Multi-Code receivers Supplied with visor clip
 Easy access to battery and coding switches Uses 9 volt battery
 Codes: 1024 (set by dip switches)

109410 Stanley 2 Channel Visor Transmitter

Compatible with 310 MHz Stanley and Multi-Code receivers Supplied with one visor clip
 Easy access to battery and coding switches Uses 9 volt battery
 Codes: 1024 per channel (set by dip Switches)

MEGACODE BY LINEAR (318 MHZ)



MCT-1 MegaCode 318 1 Channel Transmitter

318 MHz 1 Channel Transmitter One Button Transmitter 9 Volt Battery Included
 Removable visor clip Activates one MegaCode Receiver
 Test Operate LED Codes 1,000,000 + (MegaCode format)

MCT-2 MegaCode 318 2 Channel Transmitter

Activates 2 MegaCode receivers Independently Test /Operate LED
 Visor Clip Included Uses 9 Volt Battery (included) Codes: 1,000,000= (MegaCode format)

MCT-11 MegaCode 318 1 Channel Visor Transmitter (Oval)

Activates one MegaCode receiver Test/Operate LED
 Uses two 2032 batteries (provided) Codes: 1,000,000+ (MegaCode format) 318 MHz

MDR MegaCode 318 MHz 1 Channel Receiver 24 Volt

Single Channel Activates one Device Mounting Bracket supplied Wire Lead Antenna
 Three terminal Receiver Memory: Storage for up to 10 MegaCode transmitters
 Codes: 1,000,000+ (MegaCode format) Actual Dimensions 5.5 W x 4 H x 1.25 D Inc



RADIO CONTROLS

ALLSTAR BY LINEAR



9921T Allstar 1 Button Transmitter (318 MHz)

Compatible only with Allstar and MVP receivers Visor clip included Uses 9 Volt battery
Codes: 512 (set by nine binary dip switches) actual dimensions: 2.25" W x 4.625" H x 1 " D

9921T-288RF 1 Button Transmitter (288 MHz)

Compatible with Allstar and MVP receivers with 288 MHz Visor clip included
Uses 9 Volt battery Codes: 512 (set by nine binary dip switches)
Actual dimensions: 2.25" W x 4.625" H x 1 " D

9931-WKE Allstar Wireless Keypad for 318 MHz

Compatible with only Allstar and MVP receivers 4 digit PIN Backlit keys
Uses 9 Volt Battery (included) Operate LED Codes: 19683
Actual Dimensions 2.5"W x 6.125" H x 1.5" D

9931T Allstar 1 Button Transmitter (318 MHz)

Compatible with Allstar and MVP receivers with 318MHz Visor clip included
Uses 9 Volt battery Selectable Codes: 19683 (set by nine trinary dip switches)
Actual dimensions: 2,25" W x 4.625" H x 1 " D

9931T-288RF Allstar 1 Button Transmitter

Compatible with Allstar and MVP receivers with 288 MHz Visor clip included
Uses 9 Volt battery Codes: 19683 (set by nine trinary dip switches)
Actual dimensions: 2.25" W x 4.625" H x 1 " D

MVP-RE-288-24V-8W-FC 1 Door Open-Close-Stop Receiver (288 MHz)

Three Channels- three relay outputs 8 Wire Operator Connection
Wire Whip Antenna with " F" Connector
Compatible with Allstar Classic, Allister, and Pulsar dipswitch transmitters and MVP quik-code transmitters
24 VAC/VDC Codes 19683 Actual Dimension: 6.255"w x 3.625" H x 1.375" D
Specifications subject to change without notice

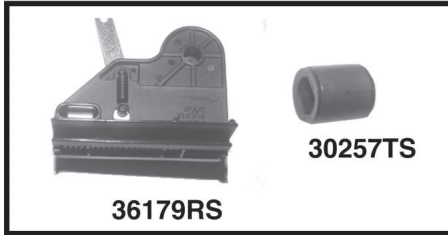
MVP-1CH-318 24V-4W-FC 1 Channel Gate Receiver

4 Wire Operator Connection Wire Whip Antenna with " F" Connector
Compatible with Allstar Classic, Allister, and Pulsar dipswitch transmitters and MVP quik-code transmitters
24 VAC/VDC Codes 19683 Actual Dimension: 6.255"w x 3.625" H x 1.375" D
Specifications subject to change without notice

Radio Controls GENIE

- G1T-BX - 1-Button Remote
- G3T-BX - Intellicode 3-Button Mini Transmitter
- GITR-3 - Intellicode 390MHz Transmitter
- GK-BX - Intellicode Wireless Keypad
- GIWC-BX - Intelligent Wall Console
- GBWX-BX - Deluxe Wall Console Series II
- GBWCSL3-BX - Genie Wall Console
- GM3T - Genie Master Remote
- GLR-BX - Closed Confirm Remote
- GN-BX - Network Adapter

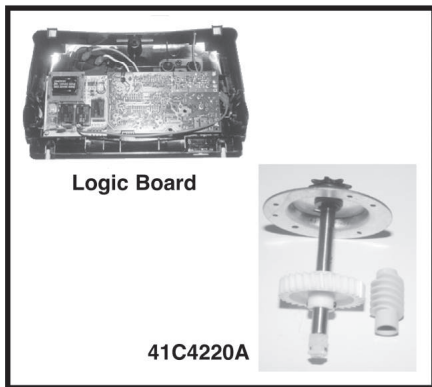




GENIE ACCESSORIES

- 36179RS** Carriage Assembly
- 37845RS** Carriage Assembly Screw Drive
- 30257TS** Coupler Assembly
- 20113RS** Limit Switch
- 27096A** Gear for Chain Glide Operators
- GSTB** Photo Eyes
- GSTB-BX** Safe-T-Beam System

LIFTMASTER RESIDENTIAL PARTS



- | | | | |
|-----------------------|-------------------------------|------------------|---|
| 10A20 | 3V Lithium Battery | 197 | Wire Channel |
| 41A5021-1 | Receiver Logic Board Assembly | 41A5034 | Snappy Sensors <i>New</i> |
| 41A5021-1M-315 | Receiver Logic Board Assembly | 41A5266-1 | Brackets for Snappy Sensors |
| 41A5021-1I | Receiver Logic Board Assembly | 41C4398A | RPM Sensor Assembly |
| 41AC050-1M | Receiver Logic Board Assembly | 41D3452 | Limit Switch Assembly |
| 41AC050-2M | Receiver Logic Board Assembly | 475LM | Evercharge Standby Power |
| 41A5585 | Gear and Sprocket Assembly | 75LM | Multi-function Control Panel |
| 41A5658 | Gear and Sprocket Assembly | 378LM | 315MHz Wireless Secondary Control Panel |
| 41A5021-9G-315 | Receiver Logic Board Assembly | 25C20 | Coupling Sleeve |
| 41AC075-2A | Receiver Logic Board Assembly | 816168 | Screw Drive Rack |

MODEL 41C4220A **Gear and Sprocket Assy. for Series 1200, Chaindrive except 1256, 1246, and R suffix**
 Complete with: spring washer, thrust washer, retaining ring, bearing plate, roll pins (2), drive gear and worm gear, helical gear w/retainer and grease

MODEL 41A2817 **Drive /Worm Gear Kit** • With grease and roll pins (2)

This is not a complete list, please call for additional parts or check our price list.

ACCESSORIES (CONTINUED)



- LARGE CAPACITORS**
 53-64 250 V Start Capacitor
 Diameter = 1.81" / Length = 3.37"
- SMALL CAPACITORS**
 1.43" diam x 2.75" ht 53-64 MFD
 220 volt standard
 Connect regular terminal bakelite housing

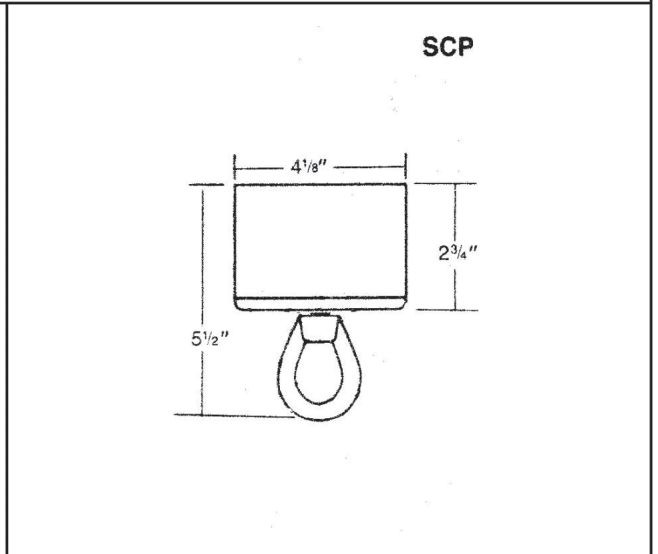
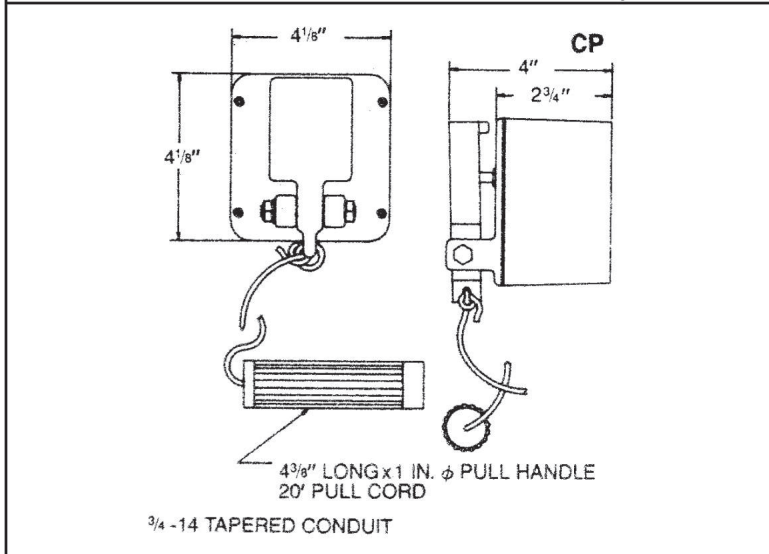
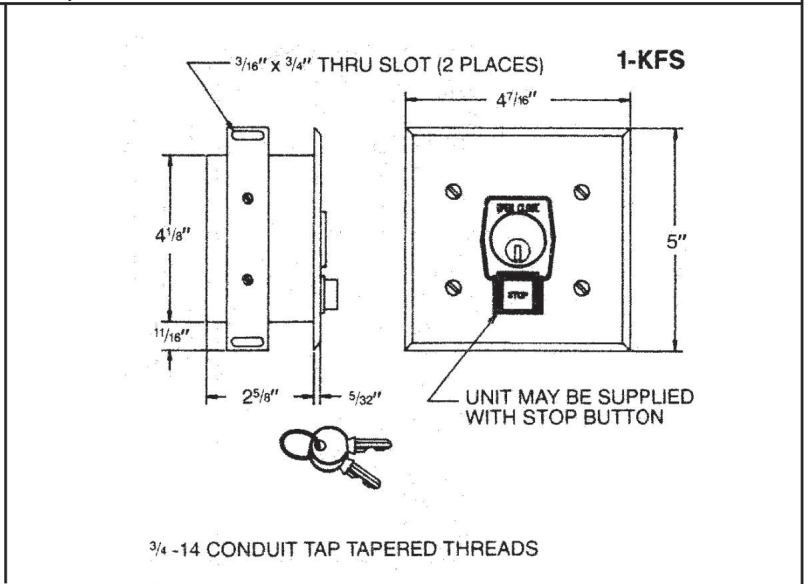
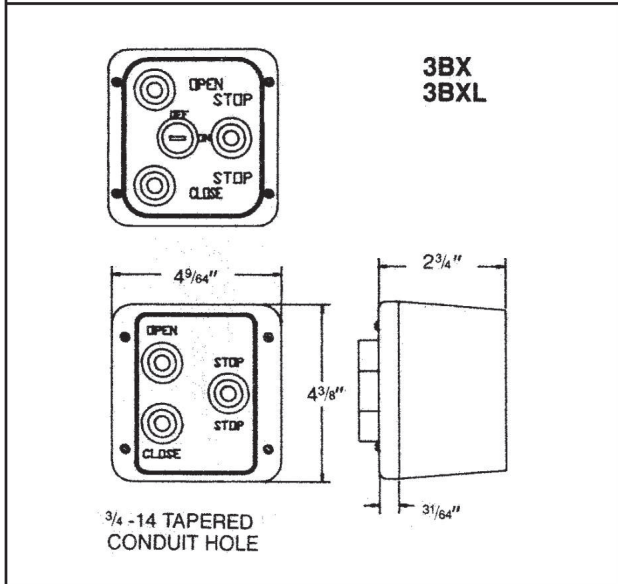
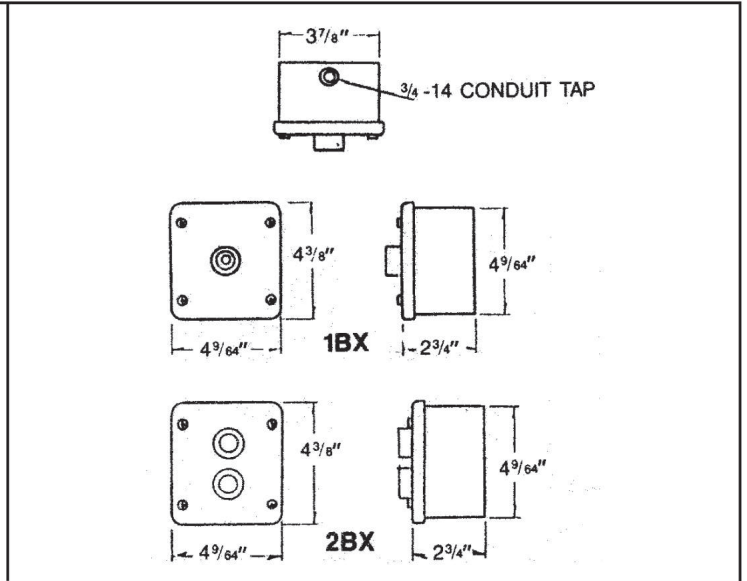
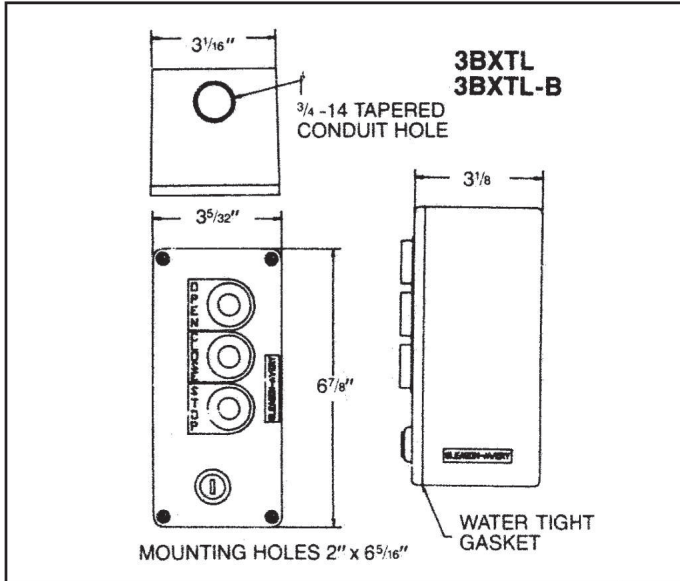
ILCO EZ®-4U REMOTE



NEW

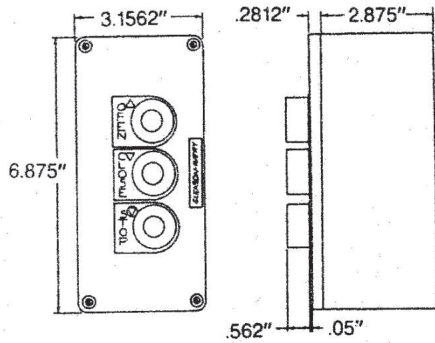
- FEATURES / BENEFITS:**
- Compatible with popular brands, including: Sears® Craftsman®, Chamberlain®, Genie®, Linear®, Liftmaster®, Overhead Door®.
 - 4 button control operates up to 4 different doors and/or gates from just one device
 - Program within minutes thanks to the "head-to-head" add on procedure, without opening the case
 - No dip switches to set or re-set while programming
 - Compact size and lightweight design

TECHNICAL INFORMATION



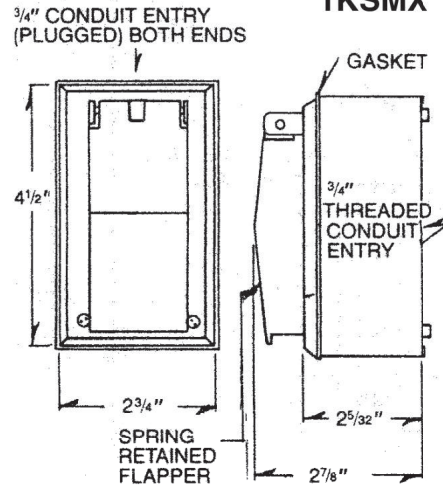
TECHNICAL INFORMATION

3BXT



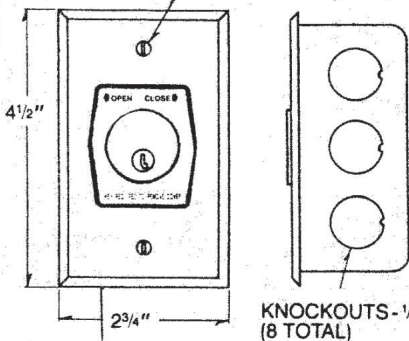
NOTE:
1. LETTERS TO BE 1/8" SQ. RAISED .015-.020 AND ENCLOSED BY A RECTANGLE, AS SHOWN.

1KSMX



6-32 SLOTTED HEAD SCREW
6-32 SPANNER HEAD
TAMPERPROOF SCREWS
(OPTIONAL)

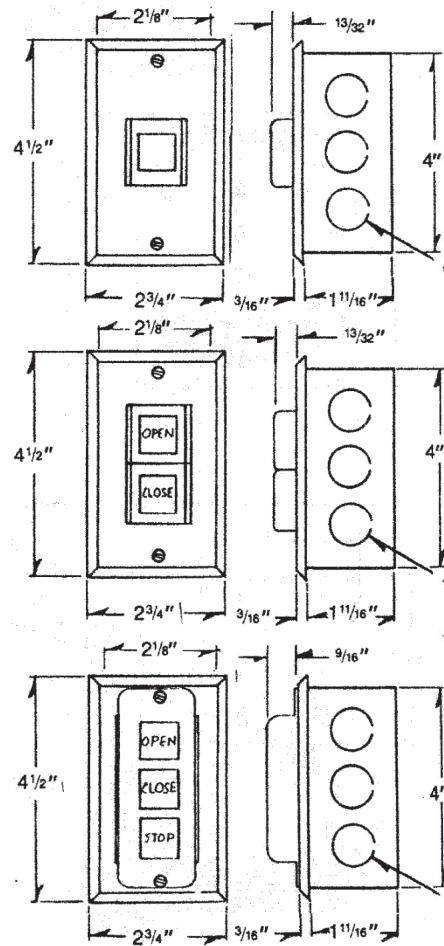
1KSM



WALLPLATE
MATERIAL:
STAINLESS
STEEL

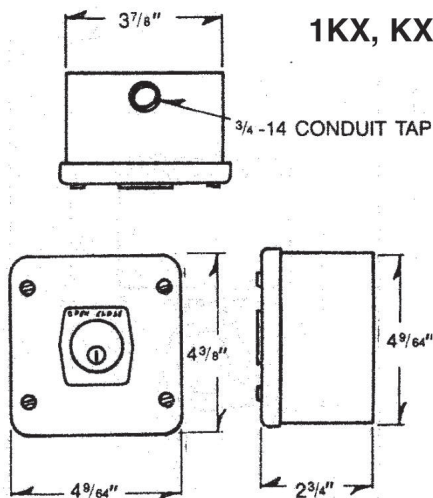
HANDY BOX
4" LONG, 2 1/8" DEEP
1 7/8" DEEP DRAWN
13.0 CUBIC INCH CAPACITY

1BWS, 2BWS, 3BWS

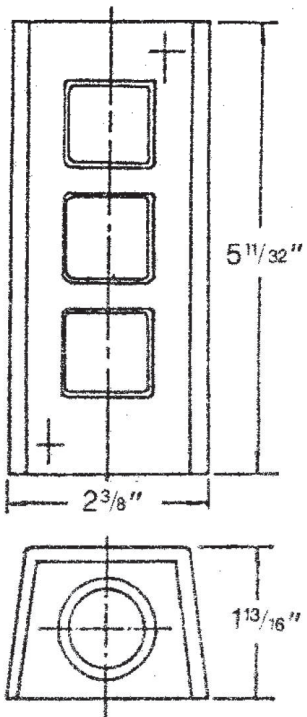
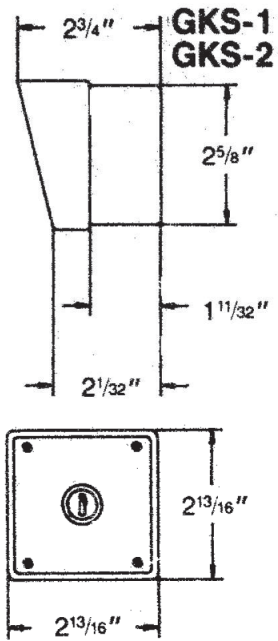


NOTE:
COVER SCREWS 6-32
* KNOCKOUTS (11 PLACES)

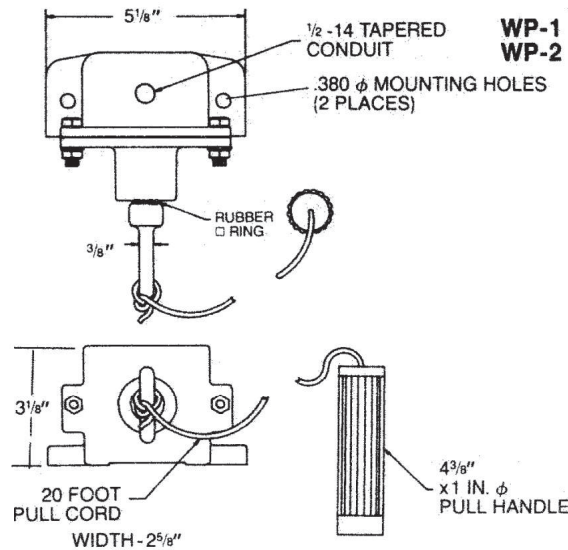
1KX, KXL, 1KXS



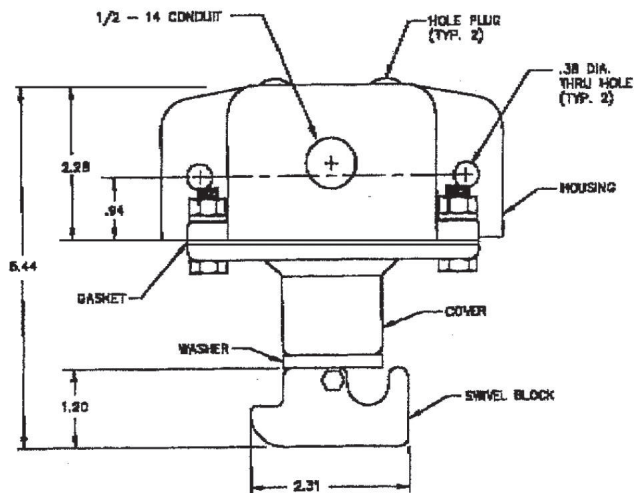
TECHNICAL INFORMATION



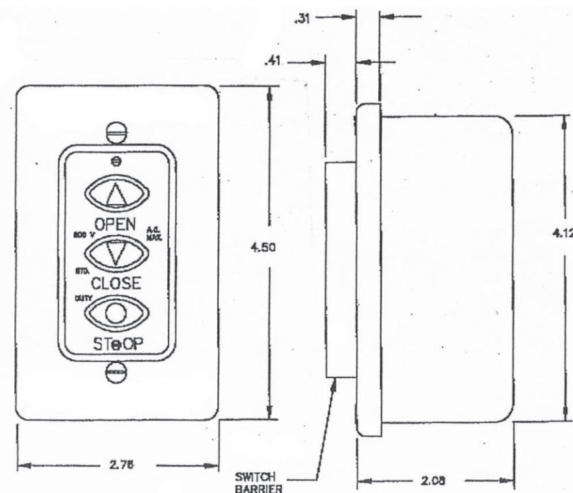
PBU-3



**WP-1
WP-2**

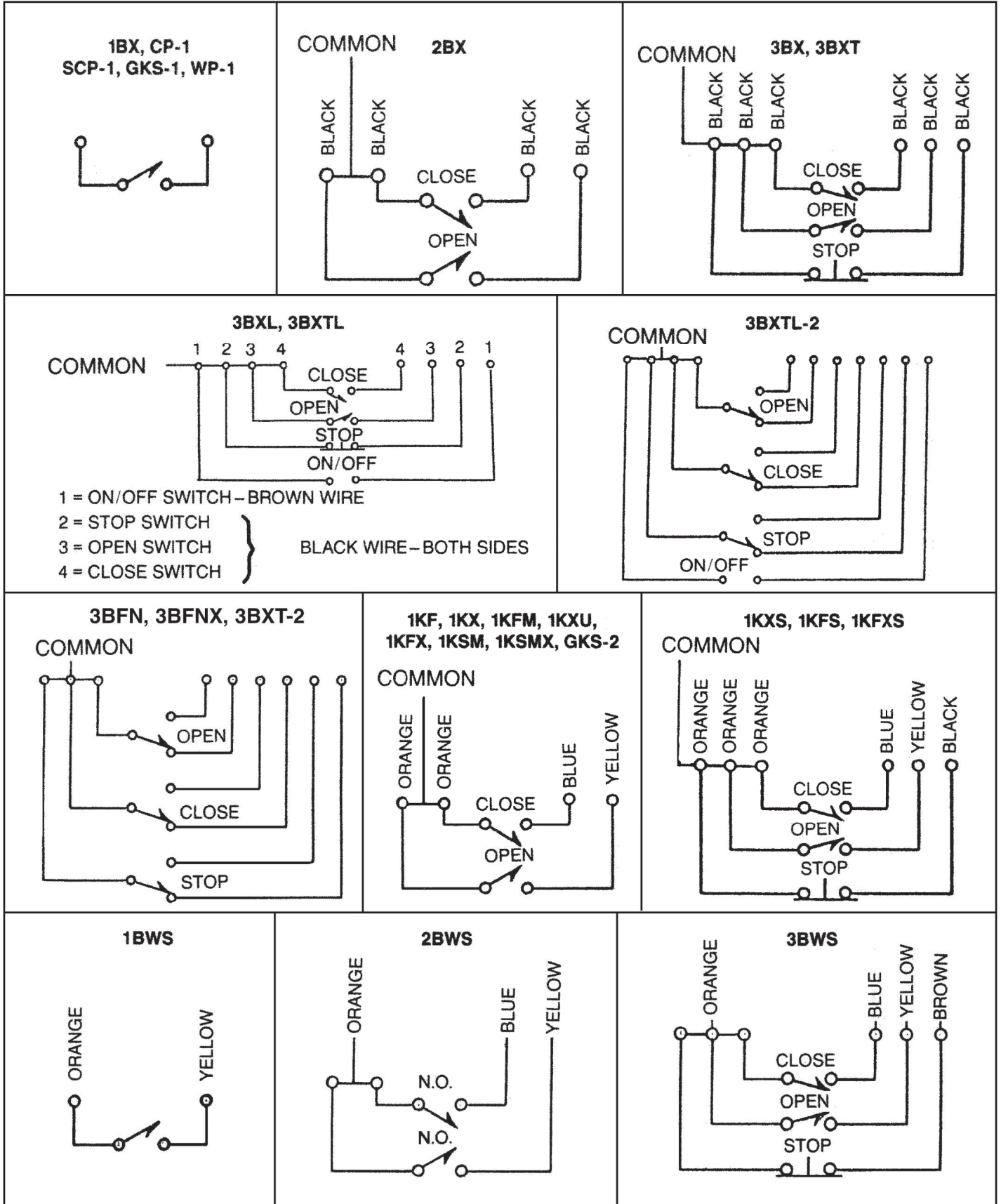


**WPS-1
WPS-2**



PBS3S

SCHEMATIC DIAGRAMS



TECHNICAL INFORMATION

PART ICS 2-125 CONTACTS FOR CONTROL CIRCUIT DEVICES

DEFINITIONS

2-125-01 CONTACT ARRANGEMENTS

Form “A” Contacts

A Form “A” contact arrangement is one which has single-pole single-throw normally open contacts. The function of this arrangement is to close a circuit when actuated.

NEMA Standard 11-12-1970.

Form “B” Contacts

A Form “B” contact arrangement is one which has single-pole single-throw normally closed contacts. The function of this arrangement is to open a circuit when actuated.

NEMA Standard 11-12-1970.

Form “C” Contacts

A Form “C” contact arrangement is one which has single-pole double-throw contacts with three terminals-one for normally open, one for normally closed, and one common. The function of this arrangement is to transfer a circuit when actuated.

NEMA Standard 11-12-1970.

Form “Z” Contacts

A Form “Z” contact arrangement is one which has single-pole double-throw contacts with four terminals, two for normally open and two for normally closed. The function of this arrangement is to open one circuit and close the other.

NEMA Standard 11-12-1970



TERMS AND CONDITIONS

Terms of Payment:

Net thirty (30) days from date of invoice; F.O.B. point of shipment. A service charge of .05% per day (1½% monthly, 18% annually) will be charged on all past due invoices (beyond 30 days).

Sales and Other Taxes:

Prices quoted herein include domestic packing only, and do not include sales, use, excise or similar taxes and custom duties. Consequently, the amount of any present or future sales, use, excise or other similar taxes or custom duties applicable to the sale of the product(s) hereunder shall be paid or reimbursed to Vee Industries, Inc. by Purchaser, or in lieu thereof, Purchaser shall provide Seller with a tax exemption certificate acceptable to the taxing authorities.

Changes and Cancellations:

All orders placed hereunder and accepted by Vee Industries, Inc. shall be firm. If Purchaser requests changes in design or specification of equipment on order, or for any reason stops work-in-progress, Vee Industries', Inc. costs of complying with Purchaser's request shall be borne by Purchaser. Further, Vee Industries, Inc. will, on request of Purchaser, agree to the cancellation in writing in whole or in part of such orders provided Purchaser shall compensate Vee Industries, Inc. for the latter's actual costs, commitments to others and normal overhead, up to and including the date such request is received by Vee Industries, Inc., plus a reasonable profit on all items for which cancellation is requested.

Acceptance and Quotations:

No order or purchase agreement shall be deemed accepted or entered into until accepted by Vee Industries, Inc. at Boynton Beach, Florida, and such accepted orders shall constitute contracts made in Florida and subject to the laws thereof. Written quotations are subject to confirmation by Vee Industries, Inc. at Boynton Beach, Florida and shall automatically expire thirty (30) calendar days from the date issued and are subject to termination by notice within that period.

Force Majeure:

Vee Industries', Inc. performance hereunder is subject to acts of God, acts of Purchaser, acts of civil or military authority, priorities, government requirements or regulations, accident, explosion, fire, windstorm, flood or other casualty, strike, lockout or other labor difficulty, riot, war, insurrection, epidemics, quarantine restrictions, shortage of or inability to obtain labor, materials or production or transportation facilities, delays, interruptions in transportation, extraordinary inflation in cost of Vee Industries', Inc. performance, and all other disabling causes without regard to the foregoing enumeration beyond Vee Industries', Inc. reasonable control, and Vee Industries, Inc. shall not be liable for any incidental, special or consequential damages caused by or arising from any failure or delay in manufacture, shipment or delivery of products resulting therefrom. The terms of this Agreement, including the date for delivery, shall be deemed suspended so long as any such cause prevents or delays Vee Industries', Inc. performance.

International Sales:

Unless otherwise agreed in writing and signed by Purchaser and Vee Industries, Inc., international sales are subject to special terms of payment and require the opening of an irrevocable letter of credit for the full amount of deposit in an American bank acceptable to Vee Industries, Inc., payable upon presentation of shipping documents, at time of shipment. Packing equipment for export and transportation cost to point of departure from U.S. is not included in pricing, but is a separate additional cost. Minimum order in \$100.00 net.

Miscellaneous:

Claims for shortages, deductions or corrections will not be considered unless presented within ten (10) days after receipt of goods.

Promises of delivery are estimated as accurately as current conditions will permit. Goods will be shipped as soon as completed and ready for shipment regardless of estimated date of shipment.

Designs and specifications shown in catalogs or literature are subject to change without notice.

Dimensions given in our published literature and catalogs are as close to actual practicable but are not guaranteed. No claim will be allowed because of any discrepancy between actual dimensions of material shipped and listed data.

We reserve the right to correct clerical or stenographic errors in quotations, orders, acknowledgements, invoices or other documents.

Minimum order domestic and Canadian is \$50.00 net, *orders under \$50.00 net will be invoiced at the minimum order price.*

WARRANTY

Vee Industries, Inc. warrants its products to be free from defects in material or workmanship over a period of one (1) year from date of shipment from its factory.

If any product is found unsatisfactory under this warranty, the purchaser should notify Vee Industries, Inc. in writing or phone, and after receipt of Vee Industries', Inc. shipping approval, the purchaser may return it directly to Vee Industries', Inc. factory in Boynton Beach, Florida, shipping charges prepaid.

Such products will be inspected by Vee Industries, Inc. and if determined defective due to material or workmanship shall be replaced or put in proper operating condition, free of all charges, including ground freight, and a credit will be allowed for ground freight to Vee Industries, Inc. The correction of any defects by repair or replacement by Vee Industries, Inc. shall constitute fulfillment of all obligations and liability of Vee Industries, Inc. to the purchaser under this Warranty.

Vee Industries, Inc. is not responsible for damage to its products through improper installation, maintenance, use or attempts to operate it beyond its mechanical or electrical capacity intentionally or otherwise, or for unauthorized repair including freight charges.

Any failure to notify Vee Industries, Inc. of unsatisfactory operation, or any improper or unauthorized installation, maintenance, use, repair or adjustments, shall terminate this warranty and shall relieve Vee Industries, Inc. from any further responsibility thereunder.

Vee Industries, Inc. shall not be liable for special or consequential damages in any claim, action, suit or proceedings arising under this warranty, nor shall there be any liability thereunder for claims for labor, loss or profit or good will, repairs or other expenses incidental to replacement.

The foregoing warranty is exclusive and in lieu of any and all other warranties, expressed or implied. No warranty of merchantability, no implied warranty of fitness for any particular purpose, and no implied warranty arising by usage of trade, course of dealing or course of performance is given by seller or shall arise by or in connection with this sale and/or the seller's and/or buyer's conduct in relation thereto or to each other, and in no event shall the seller be liable on any such warranty with respect to any product.