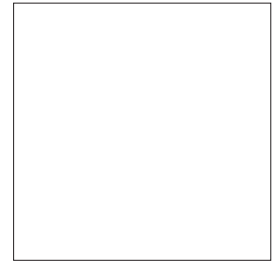
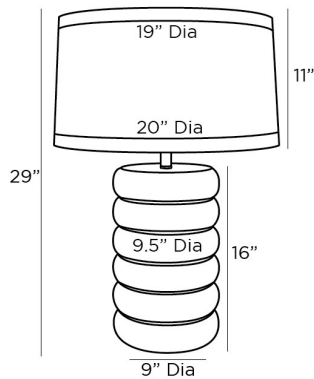


# ARTERIOS

## RAMBO LAMP



49542-692  
 H: 29 IN, Dia: 20.00 IN  
 Matte Black Terracotta  
 Contract Suitable As Is

Rendered in a stacked drum silhouette, the Rambo lamp is a modern, stylized accent piece. The table lamp is created in matte black resin with a matching stacked resin finial and is topped with a drum shade in off-white microfiber, lined in off-white cotton.

### APPEARANCE

Material	Cotton, Microfiber, Resin, Steel
Finish	Antique Brass, Matte Black, Off-White
Top Coat/Sealant	true
Finial Description	Resin to match
Finial Dimension	1x2

### DIMENSIONS

Shade	Top: 19.00 IN, Dia: 20.00 IN, Side: 11 IN
Body	H: 16 IN, Dia: 9.50 IN
Neck	H: 3 IN, Dia: 1.00 IN
Foot Print	Dia: 9.00 IN
Harp	9" Brass IN

### WIRING

	3C,AE,AU,EU,SA,UK,UL
Rating	Indoor Only
Tilt Test	10 Degrees - AU
Cord	10 FT, Back of Lamp Base, Black Cloth, SPT-2
Socket	1, Brass, Type A - E26
Switch	3-Way Rotary, At Socket
Maximum Watt	150
Voltage	110-120 V

### CERTIFICATIONS

Certifications	Mexico Australia, United Arab Emirates, United Kingdom, United States, Canada
----------------	--

### COMPLIANCY

UL/ETL	Yes
CB	Yes
RoHS	true

### SHIPPING

Product Weight	32 LBS
Gross Weight 1	36 LBS
Gross Weight 2	5 LBS
Shipping Box 1	H: 14.63 IN, L: 14.63 IN, W: 27.13 IN
Shipping Box 2	H: 13 IN, L: 22 IN, W: 22 IN

### ADDITIONAL INFO

Shade Shape	Round
Shade Trim	Rolled Edges
Shade Type	Hardback

### REPLACEMENT PARTS

Replacement Part 1	49542FIN
Replacement Part 1 Dim	1x2

### CONTRACT

Contract Suitable	true
-------------------	------