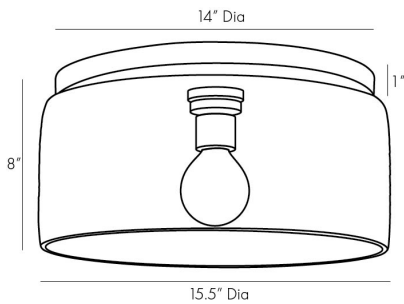


ARTERIOS

CUT LARGE FLUSH MOUNT

WORKSHOP



DA49028

H: 8 IN, Dia: 15.50 IN

Blackened Steel, Clear Etched Glass

Contract Suitable As Is

The Cut Large Flushmount, featuring a clear etched-glass shade reminiscent of cut crystal and modern blackened steel, offers a contemporary twist on a timeless technique. The drum shade's deeply grooved texture casts beautifully patterned light and shadow. Damp-rated, although limited covered outdoor areas may affect finish.

APPEARANCE

Material	Glass, Steel
Material Type	Etched
Finish	Blackened Steel, Clear
Top Coat/Sealant	false

DIMENSIONS

Canopy	H: 1 IN, Dia: 6.50 IN
--------	-----------------------

WIRING

	UL,EU,SA
Rating	Damp
Cord	10 FT, Black, SVT
Socket	1, Type A - E26
Photographed Bulb	Frosted Globe Bulb
Maximum Watt	40
Voltage	110-120 V

CERTIFICATIONS

Certifications	Mexico Australia, European Union, United Arab Emirates, United States, Canada
----------------	--

COMPLIANCY

UL/ETL	Yes
CB	Yes
RoHS	true

SHIPPING

Product Weight	16.5 LBS
Gross Weight 1	18 LBS
Shipping Box 1	H: 16 IN, L: 19 IN, W: 19 IN

REPLACEMENT PARTS

Replacement Part 1	CANOPY-479
Replacement Part 1 Dim	1" x 14.5"

CONTRACT

Contract Suitable	true
-------------------	------