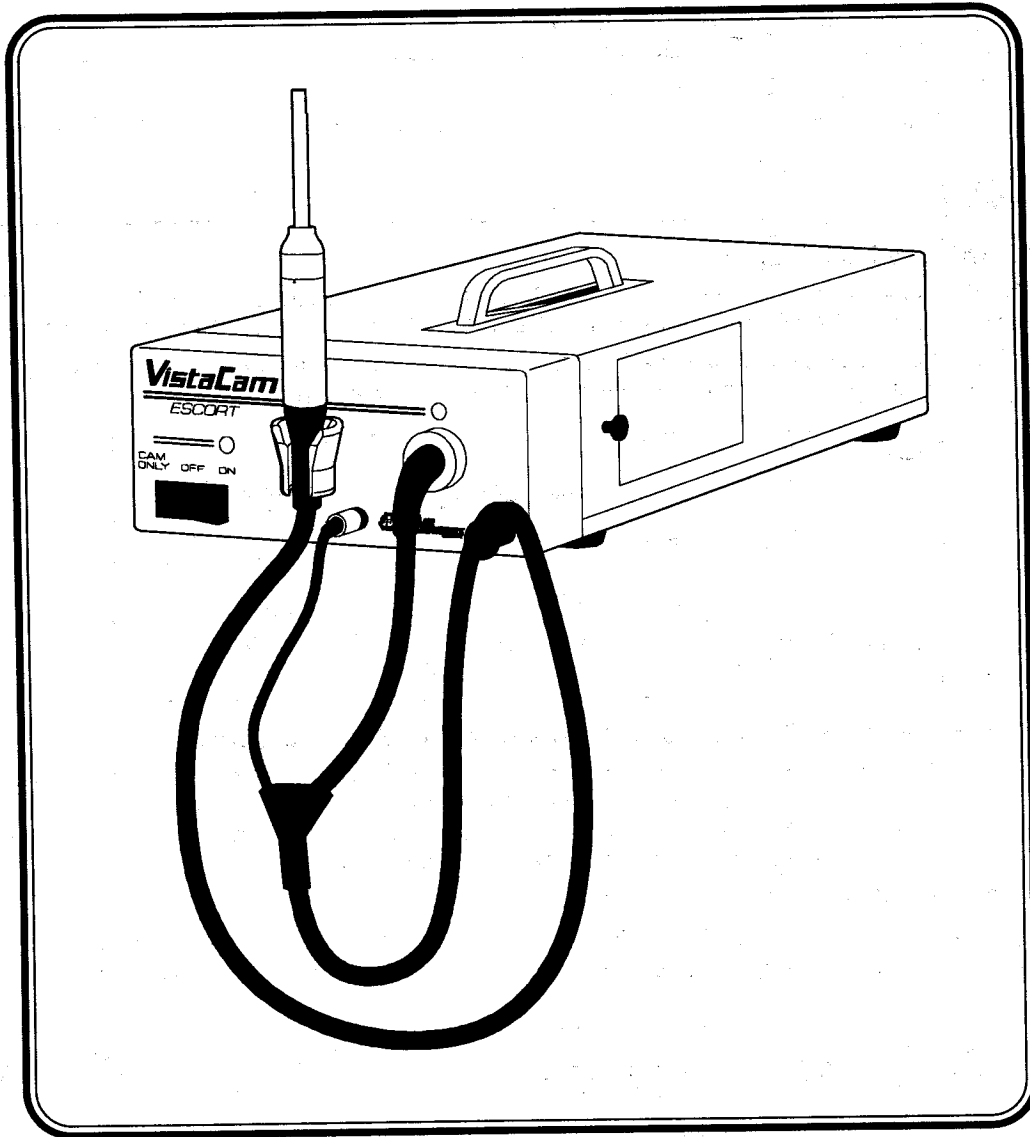


# VistaCam<sup>®</sup>

## ESCORT<sup>®</sup> INTRAORAL VIDEOCAMERA

PN 77800



# MANUAL



# SAFETY INSTRUCTIONS

**CAUTION:** TO REDUCE THE RISK OF ELECTRICAL SHOCK DO NOT REMOVE THE COVER OF THE ESCORT. THERE ARE NO USER-SERVICEABLE PARTS INSIDE. SERVICING SHOULD BE PERFORMED BY QUALIFIED PERSONNEL.

**WARNING:** TO PREVENT FIRE OR ELECTRIC SHOCK, DO NOT EXPOSE THIS APPLIANCE TO RAIN OR MOISTURE.

**ATTENTION USERS:**



THIS SIGN MEANS THAT THERE IS UNINSULATED VOLTAGE WITHIN THE UNIT THAT MAY BE OF SUFFICIENT MAGNITUDE TO CAUSE ELECTRIC SHOCK.



THIS SIGN MEANS THAT IMPORTANT OPERATING & SERVICING INSTRUCTIONS ARE PROVIDED WITH THE LITERATURE. IT SHOULD BE READ CAREFULLY IN ORDER TO AVOID ANY PROBLEMS.

**Warning:** This device complies with Part 15 of the FCC Rules. Operation is subject to the following conditions:

- (1) This device may not cause harmful interference; and
- (2) This device must accept any interference received including interference that may cause undesired operation.

## VISTACAM ESCORT COMES WITH:

1 Handpiece/Umbilical Assembly  
1 S-Video Cable

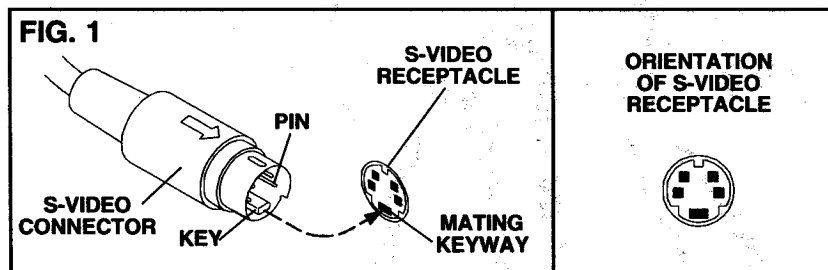
1 AC Line Cord  
50 Handpiece Infection Control Sheaths

## INSTALLATION

### 1. CONNECTING THE S-VIDEO CABLE

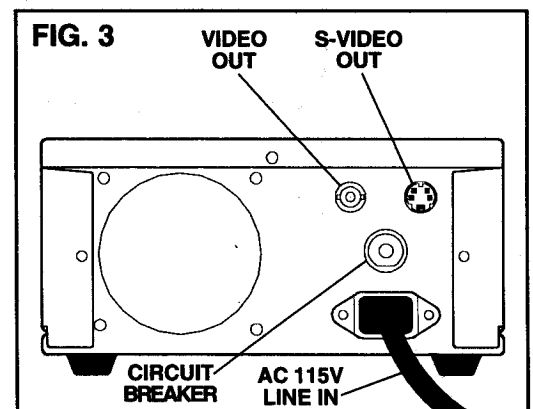
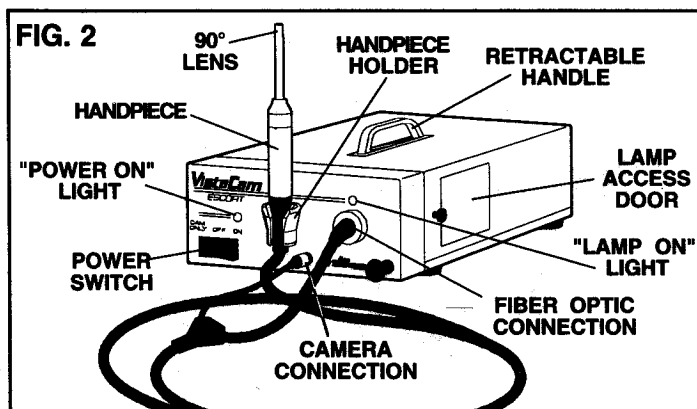
**CAUTION:** THE ON/OFF SWITCH ON THE FRONT OF THE ESCORT MUST BE OFF DURING INSTALLATION. PLUGGING THE AC POWER LINE CORD INTO THE WALL OUTLET IS THE LAST INSTALLATION STEP.

**BEFORE CONNECTING:** Familiarize yourself with the S-VIDEO connector to avoid bending pins when inserting the connector into its mating receptacle. Push gently when inserting connector, do not turn. See Fig. 1 below:



### 2. CONNECTING THE HANDPIECE/UMBILICAL ASSEMBLY AND AC LINE CORD

- The Handpiece/Umbilical Assembly has two connections at the Y end of the umbilical which are inserted into the front of the Escort (see Fig. 2). Connect the camera side of the umbilical (left side). Orient the connector to match the keyway slot on the top of the receptacle. Rotate the knurled sleeve clockwise until it is snug. Do not overtighten. Connect the fiber optic side of the umbilical (right side) by sliding the connector into the receptacle. Gently push until it seats flush.
- Place the Handpiece in the holder on the front of the Escort.
- Connect the S-Video cable and the rectangular end of the AC line cord to the back of the Escort. (Fig. 3)
- Plug the AC Power Line Cord from the Escort into an appropriate Hospital Grade 115 Volt 60 Hz receptacle.



# OPERATION

## 1. TURN ON POWER

Put the POWER switch on the front of the Escort in the ON position. POWER ON illuminates indicating that the camera and light source are on. When the POWER switch is put in the CAMERA ONLY position, the camera is on without the light source. When the camera is on, the video signal is present on the S-VIDEO OUT and the VIDEO OUT receptacles.

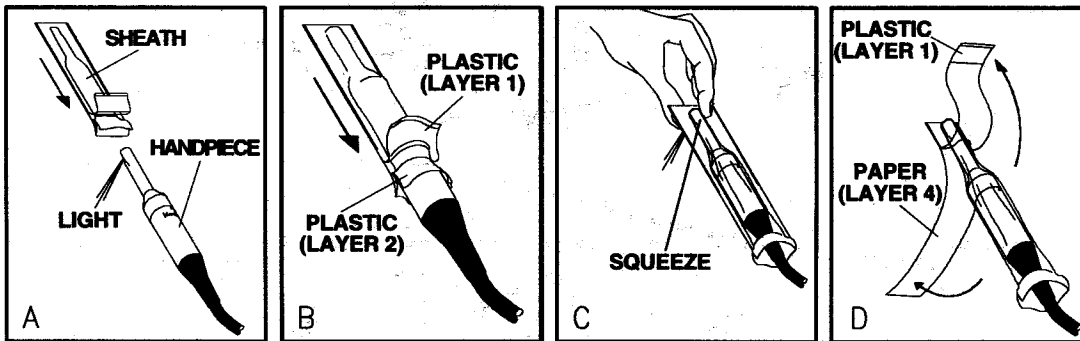
## 2. USING THE HANDPIECE

Put the POWER switch in the ON position. The fiber optic light source turns on automatically when the handpiece is removed from the holder on the Escort. (Reminder: remove the black plastic cap from the handpiece tip before using.) The light source turns off when the handpiece is returned to the holder and the camera remains on. This auto on/off feature for the light source prolongs the life of the lamp. To deactivate the light source, put the POWER switch in the CAMERA ONLY position.

**NOTE: Use the camera without the light source when imaging an X-ray on a lightbox, or when an external light source is being used.**

- It is recommended that a disposable infection control sheath be used for each patient. To apply a sheath (see Fig. 4):
  - Remove the handpiece from the holder. Insert the 90° lens between the second and third (attached to the paper layer) plastic layers with the light pointing towards the paper layer. This is important since the optically clear section can only be accessed with the light pointed down toward the paper (see Fig. 4, A).
  - Push the handpiece completely in until the lens tip is fully inserted into the narrow tip of the sheath and gently squeeze the tip between thumb and index finger. This ensures that the clear plastic area of the sheath is flat against the lens tip (see Fig 4, B & C).
  - Peel away and discard the top plastic layer and the bottom paper layer (see Fig. 4, D).

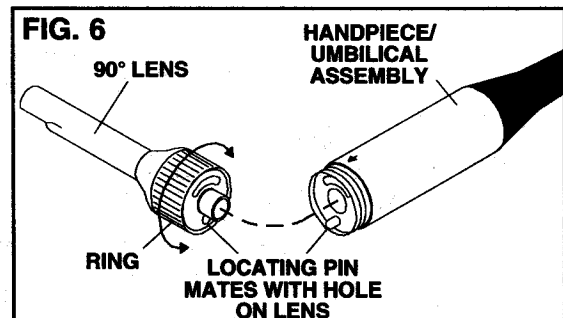
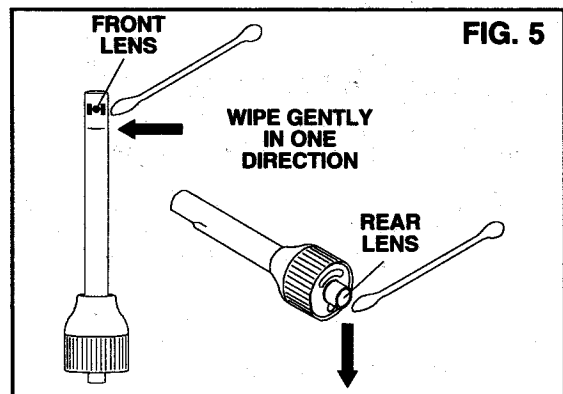
FIG. 4



# MAINTENANCE

**CAUTION: TURN OFF AND UNPLUG THE ESCORT BEFORE CLEANING.**

- CLEANING ESCORT HOUSING:** Use conventional cleaning methods and water-based solutions. Do not wipe the surfaces using benzene, thinner, etc. as this may degrade the finish.
- CLEANING HANDPIECE/UMBILICAL ASSEMBLY:** Following each patient use, the Handpiece/Umbilical Assembly can be wiped clean and disinfected with any commercial surface disinfectant following the manufacturer's recommendations.
- CLEANING THE LENS:** Routinely check the glass lens located at each end for debris or spots. Clean the lens with alcohol and cotton swabs as shown in Fig. 5. Avoid getting fingerprints on lens.
- The 90° lens is cold sterilizable. Use any commercial disinfectant and follow the manufacturer's guidelines.



# MAINTENANCE (CONTINUED)

## 5. ESCORT LAMP REPLACEMENT

**CAUTION: THE LAMP IS EXTREMELY HOT. TURN OFF POWER AND UNPLUG UNIT BEFORE CHANGING THE LAMP. WAIT AT LEAST 10 MINUTES FOR THE LAMP TO COOL BEFORE TOUCHING.**

- Loosen the screw on the lamp access door located on the side of the Escort. Slide the door open. (Fig. 7)
- Pull the lever on the top of the lamp socket towards the door opening until the lamp comes out of the socket. Discard the used lamp (see Fig. 7, A - B).
- Carefully remove the replacement lamp from its container. Be careful not to get fingerprints on the lamp or on the polished surface of the reflector as this will shorten the life of the lamp.
- Before installing the new lamp, return the lever to its starting position (see Fig. 7, C).
- Slide the new lamp fully into the socket with the tab on the reflector facing the door (see Fig. 7, D).
- Slide the door closed and tighten the screw and turn POWER ON.
- Remove the handpiece from its holder to check that the lamp turns on.

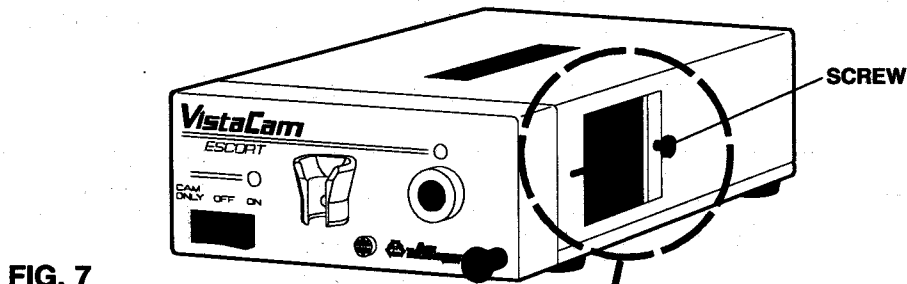
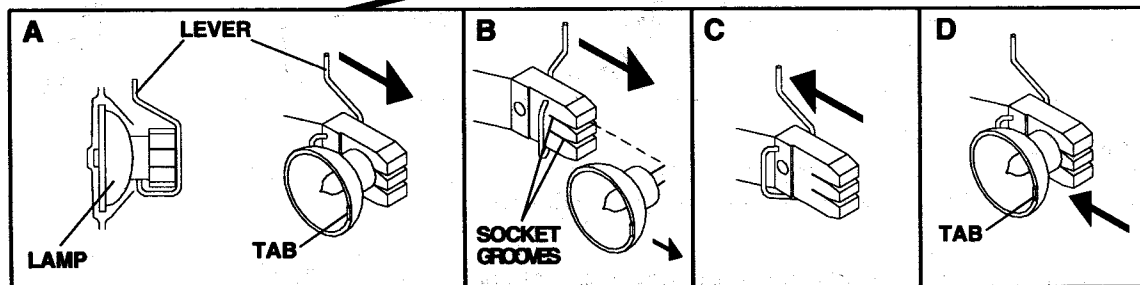


FIG. 7



## **AIR TECHNIQUES WARRANTY**

This Air Techniques equipment is warranted to be free from defects in material and workmanship from the date of installation for a period of twelve months.

Any item returned to our factory in Hicksville, New York, through an Air Techniques' Authorized Dealer, will be repaired or replaced at our option at no charge provided that our inspection shall indicate it to have been defective. Dealer labor, shipping and handling charges are not covered by this warranty.

This warranty does not apply to damage due to shipping, misuse, careless handling or repairs by other than authorized service personnel. Warranty void if installed or serviced by other than authorized Air Techniques' Dealer service personnel. Air Techniques, Inc. is not liable for indirect or consequential damage or loss of any nature in connection with this equipment.

This warranty is in lieu of all other warranties expressed or implied. No representative or person is authorized to assume for us any liability in connection with the sale of our equipment.



**CORPORATE HEADQUARTERS**  
70 CANTIAGUE ROCK ROAD, HICKSVILLE, NY 11801  
516/433-7676 FAX 516/433-7684

**WESTERN DIVISION**  
23811 VIA FABRICANTE, STE. 101 MISSION VIEJO, CA 92691  
714/830-8928 FAX 714/472-4233

### **NEW ADDRESS**

**WESTERN DIVISION**  
1591 Sunland Lane  
Costa Mesa, CA 92626  
1-800-822-2899 1-714-435-7930  
Fax 1-714-435-1163

VistaCam and Escort are trademarks of Air Techniques Inc.  
© Copyright Air Techniques Inc. 1995 9/95 PN 77953 Rev. C