



## INSTRUCTIONS FOR USE

### A-dec Stools

A-dec 1601 Doctor's Stool

A-dec 1621, 1622, and 1626 Assistant's Stools



# A - DEC STOOLS

## INSTRUCTIONS FOR USE

## Copyright

© 2009 A-dec® Inc. All rights reserved.

A-dec Inc. makes no warranty of any kind with regard to this material, including, but not limited to, the implied warranties of merchantability and fitness for a particular purpose. A-dec Inc. shall not be held liable for any errors contained herein or any consequential or other damages concerning the furnishing, performance or use of this material. The information in this document is subject to change without notice. If you find any problems in the documentation, please report them to us in writing. A-dec Inc. does not warrant that this document is error-free.

No part of this document may be copied, reproduced, altered, or transmitted in any form or by any means, electronic or mechanical, including photocopying, recording, or by any information storage and retrieval system, without prior written permission from A-dec Inc.

This document is intended to be used in conjunction with the equipment.

## Trademarks

A-dec, the A-dec logo, A-dec 500, Cascade, Cascade Master Series, Century Plus, Continental, Decade, ICX, ICV, Performer, Preference, Preference Collection, Preference ICC, and Radius are registered trademarks in the U.S. Patent and Trademarks office. Preference Slimline and A-dec 300 are also trademarks of A-dec Inc.

## Comments and Feedback

If you have any feedback or comments about this document, contact us at:

A-dec Inc.  
Technical Communications Department  
2601 Crestview Drive  
Newberg, OR 97132 USA

USA/Canada: 1.800.547.1883

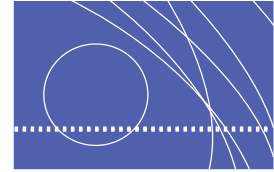
Worldwide: 1.503.538.7478

E-mail: [techcomm@a-dec.com](mailto:techcomm@a-dec.com)

Website: [www.a-dec.com](http://www.a-dec.com)

## Product Service

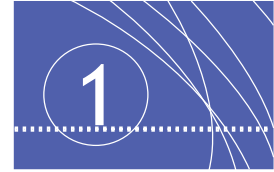
For service information, contact your local authorized A-dec dealer. To find your local dealer, go to [www.a-dec.com](http://www.a-dec.com).



# CONTENTS

<b>1 About A-dec Stools .....</b>	<b>1</b>
Introduction.....	1
Comfortable Design, Easy to Adjust .....	1
Rugged Construction .....	1
Standard Features .....	2
Models Available .....	2
A-dec 1601 Doctor’s Stool.....	2
A-dec 1621 Assistant’s Stool.....	3
A-dec 1622 & A-dec 1626 Assistant’s Stool (Torso Support).....	3
Serial Number .....	4
<b>2 Adjusting A-dec Stools.....</b>	<b>5</b>
Adjust Height of the Seat (All Stools) .....	5
Adjust Height of the Backrest (A-dec 1601/1621 only).....	6
Adjust Seat or Backrest Tilt (A-dec 1601/1621 only).....	7
Tilt of the Seat.....	7
Angle of the Backrest.....	8
Adjust Foot Ring (A-dec 1621/1622/1626 only) .....	8
Adjust Torso Support (A-dec 1622/1626 only) .....	9
Height of the Torso Support.....	9
Rotation of the Torso Support.....	9
<b>3 Maintenance and Care.....</b>	<b>10</b>
Lubrication.....	10
Stool Casters .....	10
Care Instructions.....	10
<b>A Appendix: Warranty &amp; Specifications .....</b>	<b>11</b>
Warranty .....	11
Specifications for A-dec Stools.....	11





# ABOUT A-DEC STOOLS

Your A-dec Stool is one of the finest available to the dental profession. It is engineered to provide many years of reliable performance, while requiring a minimal amount of service.

## Introduction

The quality of dental stools can dramatically affect your health, as well as your performance on the job.

## Comfortable Design, Easy to Adjust

Your comfort throughout the work day is A-dec's top priority. A-dec stools have a large, anatomically shaped backrest that fits snugly on the lower back and lumbar region; this backrest is available for both the Doctor's and an Assistant's stool. Instead of a backrest on selected Assistant's stools, an adjustable torso support easily locks in place. The torso support can be quickly converted for a left-or right-handed operator.

A-dec stools have two foam layers with different densities that balance support and comfort. Contoured seat cushions feature a "rolled edge" to help reduce pressure on the legs and allow for proper circulation.

To help promote good posture and reduce fatigue, A-dec stools feature easy-to-reach levers that allow you to make adjustments while seated. You can easily change the height or tilt of the seat, as well as the tilt of the backrest for optimum lumbar support. These levers are designed to be easy to clean.

A height-adjustable foot ring reduces leg fatigue, and is standard equipment on all Assistant's stools.

## Rugged Construction

A-dec stools offer many examples of quality construction:

- Tear-resistant, vacuum-formed upholstery that's seamless for easy cleaning.
- Rounded covers, corners, and adjustment levers that help keep the stools from "catching" on other equipment.
- Rugged components like twin-wheeled casters and a sturdy five-leg, cast aluminum base.
- Parts that are finished with a polyester-powder coat for easy cleaning and maximum durability, while resisting dirt and scuffing.

Your equipment is an investment in your business, and A-dec equipment continues to work for you ...to support your health, your productivity, and your practice.

## Standard Features

The standard features for various models of A-dec stools include:

- Two-way adjustable lumbar support (A-dec 1601 Doctor's Stool and A-dec 1621 Assistant's Stool)
- Height-adjustable torso support (A-dec 1622 and 1626 Assistant's Stools)
- Height-adjustable foot ring (A-dec 1621, 1622, and 1626 Assistant's Stools)
- Easy-to-clean height and back adjustment levers
- Integral gas cylinder for height adjustment (optional short cylinder for the A-dec 1601 Doctor's Stool)
- Seat Tilt adjustment (A-dec 1601 Doctor's Stool and A-dec 1621 Assistant's Stools)
- Cast-aluminum base with five tile casters (casters for carpeted surfaces also available)
- Upholstery choices (seamless or sewn, in a multitude of colors)

## Models Available

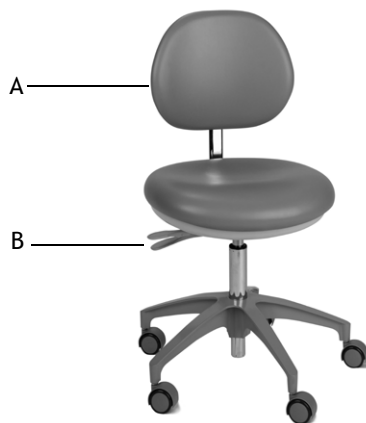
A-dec offers the following stool choices:

- 1601 Doctor's Stool with contoured seat
- 1621 Assistant's Stool with contoured seat
- 1622 Assistant's stool with contoured-round seat
- 1626 Assistant's stool with contoured seat

### A-dec 1601 Doctor's Stool

The A-dec 1601 Doctor's Stool is shown in Figure 1. The adjustable features provide comfort as well as lumbar support, with accessible and easy to clean levers.

Figure 1. A-dec 1601 Doctor's Stool

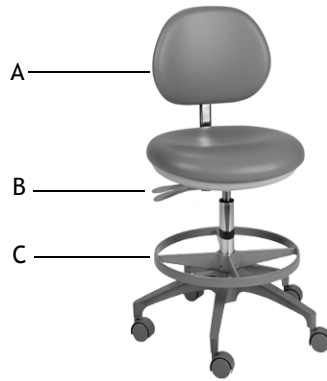


- (A) Two-way adjustable backrest (height and back tilt)
- (B) Seat adjustment levers for height and tilt

## A-dec 1621 Assistant's Stool

The A-dec 1621 Assistant's Stool includes a height-adjustable foot ring, shown in Figure 2. The adjustable features of the stool provide comfort as well as lumbar support, and the adjustment levers are accessible and easy to clean.

Figure 2. A-dec 1621 Assistant's Stool



- (A) Two-way adjustable backrest (height and back tilt)
- (B) Seat adjustment levers for height and tilt
- (C) Height-adjustable foot ring

## A-dec 1622 & A-dec 1626 Assistant's Stool (Torso Support)

The A-dec 1622 Assistant's Stool (see Figure 3) and the A-dec 1626 Assistant's Stool (see Figure 4) both offer torso support and a height-adjustable foot ring. The torso support can be rotated and adjusted vertically, and the foot ring provides additional comfort for the Assistant.

Figure 3. A-dec 1622 Assistant's Stool

Figure 4. A-dec 1626 Assistant's Stool



Contoured-Round Seat



Contoured Seat

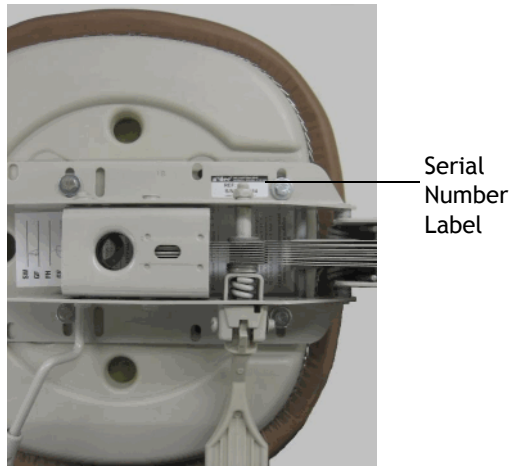
- (A) Torso Support
- (B) Height-adjustable foot ring



# Serial Number

Whenever inquiring about service for A-dec stools, please provide the serial number. The tag for the serial number is adhered to the adjustment mechanism under the seat cushion, as shown in Figure 5.

**Figure 5. Location of Serial Number Label**



An example of the label is shown in Figure 6.

**Figure 6. . Serial Number Label**



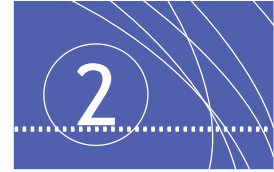
The REF number (A) is the model number of the stool.

The first letter of the serial number (shown in B) indicates the month the product was manufactured. The first digit of the serial number is the year of manufacture, listed in Table 1; for example, L8 = December 2008.

**Table 1. Month of Manufacture**

Letter	Month	Letter	Month
A	January	G	July
B	February	H	August
C	March	I	September
D	April	J	October
E	May	K	November
F	June	L	December





## ADJUSTING A-DEC STOOLS

For optimum operator comfort, you can make many adjustments to A-dec stools. Depending on the model of the A-dec stool, you can:

- Adjust the height of the seat (all stools)
- Adjust the angle of the backrest (A-dec 1601/1621 only)
- Adjust the tilt of the seat (A-dec 1601/1621 only)
- Adjust the foot ring (A-dec 1621/1622/1626 only)
- Adjust the torso support (A-dec 1622/1626 only)

Different models have various adjustment mechanisms, such as the ones shown in Figure 7 for the A-dec 1601 Doctor's Stool and the A-dec 1621 Assistant's Stool:

Figure 7. Tilt Adjustment Lever



- (A) Backrest Height Adjustment Knob  
 (B) Lever to adjust angle of backrest and tilt of seat  
 (C) Lever to adjust seat height

Each type of adjustment is described in the following sections.

### Adjust Height of the Seat (All Stools)

A lever-actuated gas cylinder lets you adjust the height of the seat height up to 6 1/2 inches. Release the lever to secure the seat at the desired height.



**NOTE** Before you adjust the height of the seat, sit on the stool.

- To raise the seat, lift the seat height adjustment lever (the lever closest to the front of the seat cushion, shown in Figure 8), and push your feet against the floor to move the seat up. Release the lever to secure the seat at the desired height.
- To lower the seat, lift and hold the seat height adjustment lever until the seat lowers to the desired level.

**Figure 8. Adjust Height of the Seat**



(A) Seat Height Adjustment Lever (towards the front of the chair)

## **Adjust Height of the Backrest (A-dec 1601/1621 only)**

Adjust the height of the backrest as follows:

1. Loosen the Backrest Height Adjustment Knob (see Figure 9).
2. Raise the backrest to the desired position.
3. Hand tighten the knob to hold the backrest in position.

**Figure 9. Adjust Height of Backrest**



(A) Backrest Height Adjustment Knob

## Adjust Seat or Backrest Tilt (A-dec 1601/1621 only)

The lever towards the back of the seat on the A-dec 1601 Doctor's Stool and the A-dec 1621 Assistant's Stool allows you to adjust either the angle of the backrest and the tilt of the seat.



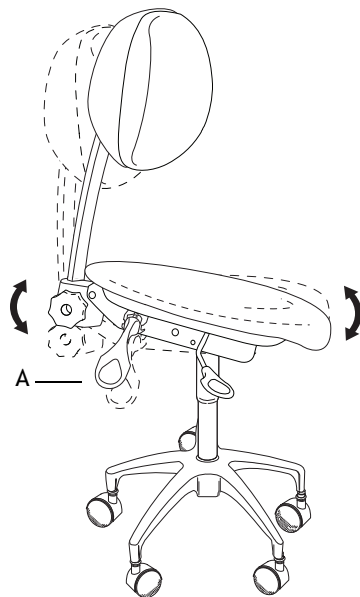
**NOTE** Generally, adjust the angle of the backrest or seat cushion while you are seated on the stool. Use your body mass to adjust the backrest and the seat to the most comfortable position for you.

### Tilt of the Seat

To adjust the tilt of the seat upholstery on A-dec 1601 and A-dec 1621 stools:

1. Lift and hold the lever on the stool that is towards the back of the seat.
2. Move your body forward or back to tilt the seat cushion to the desired position, as shown in Figure 10.
3. Release the lever to set the desired position for the tilt of the seat.

Figure 10. Adjust the Tilt of the Seat



(A) Lever to Adjust Tilt and Angle



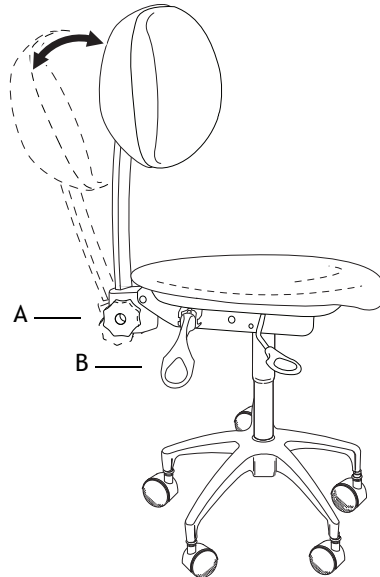
**NOTE** The adjusting mechanism allows a “free floating” option for continuous back angle and seat tilt adjustment. Simply lift the rear lever to the full upright position until the lever locks in position.

## Angle of the Backrest

To adjust the angle of the backrest on A-dec 1601 and A-dec 1621 stools:

1. Lift and hold the lower lever on the stool.
2. Move your body forward or back to move the backrest to the desired position.
3. Release the lever to hold the desired position for the angle of the backrest.

Figure 11. Adjust Angle of the Backrest



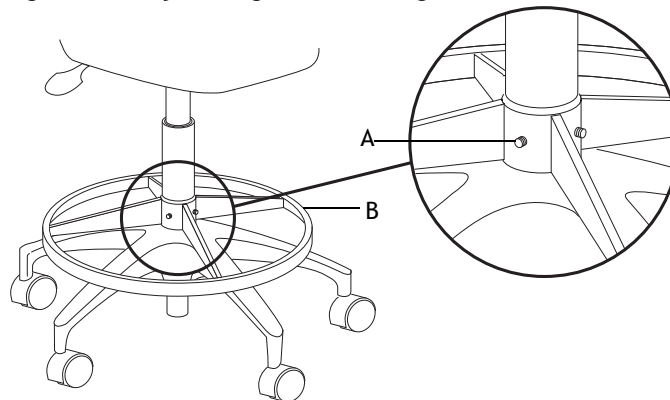
- (A) Backrest Height Adjustment Knob  
(B) Backrest Angle Adjustment Lever

## Adjust Foot Ring (A-dec 1621/1622/1626 only)

Adjust the height of the foot ring for optimum comfort as follows:

1. Loosen the two set screws that hold the foot ring in position, shown in Figure 12.
2. Raise or lower the height-adjustable foot ring to the desired position.
3. Tighten the two set screws to hold the foot ring in position.

Figure 12. Adjust Height of Foot Ring



- (A) Adjust Set Screws  
(B) Height-Adjustable Foot Ring

## Adjust Torso Support (A-dec 1622/1626 only)

You can adjust both the height and the rotation of the Torso Support upholstery on the A-dec 1622 or the A-dec 1626 Assistant's Stools.

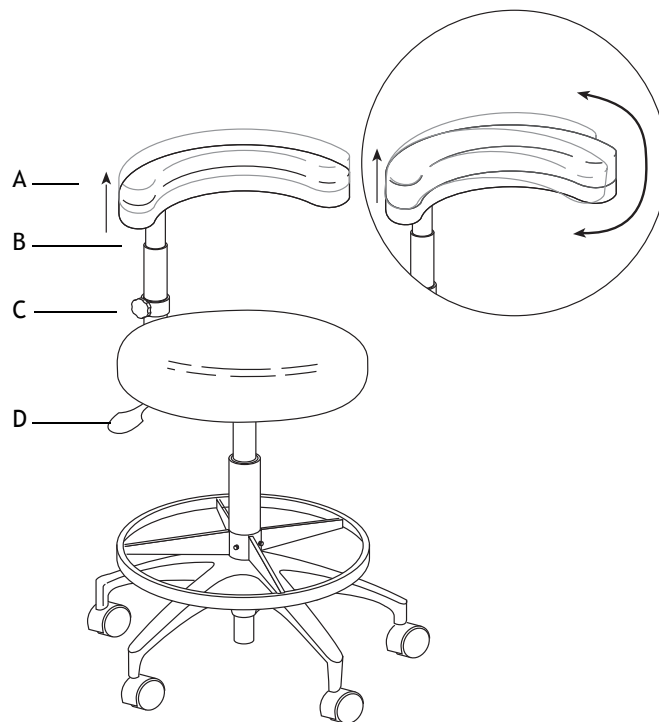
### Height of the Torso Support

1. Loosen the Height Adjustment Knob.
2. Raise the Torso Support up or down to the desired position.
3. Hand tighten the knob to hold the Torso Support in position.

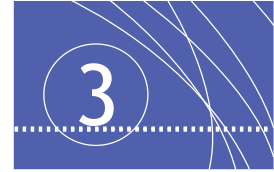
### Rotation of the Torso Support

1. Disengage the rotation locking hub by lifting the torso support at the vertical support junction, as shown in Figure 13.
2. Rotate the torso support to the desired position.
3. Lower the support to lock into place. (The rotation locking hub engages when the torso support is fully lowered.)

Figure 13. Adjust Torso Support



- (A) Torso Support Upholstery  
 (B) Vertical Support Junction  
 (C) Height Adjustment Knob  
 (D) Seat Height Adjustment Lever



## MAINTENANCE AND CARE

Regular care and maintenance of your A-dec stools keeps equipment in good working order and prolongs the useful life.

### Lubrication

If the stool begins to stick when you raise or lower the seat, lubricate the shaft surface of the lift cylinder with a very light application of one of the following lubricants, or an equivalent:

- Mobil Mobilux EP-2
- Shell Alvania EP-2
- Exxon Lidok EP-2

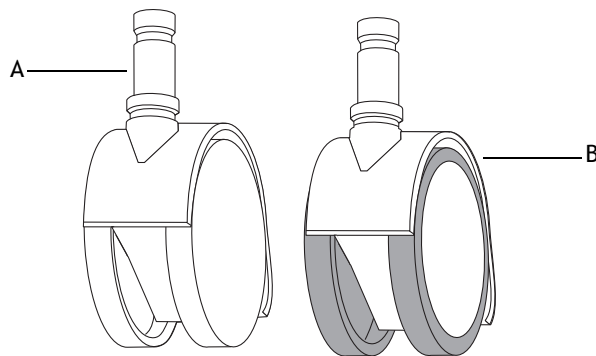
### Stool Casters

Two types of casters are used on A-dec stools. One set of casters is for carpeted floors (P/N 65.0286.02), and the other set of casters is for tiled floors (P/N 65.1625.03). You can identify the caster on the stool by the wheel ring surrounding the caster:

- The carpet caster wheel ring is all plastic.
- The tile caster wheel ring is rubberized.

Examples of these casters are shown in Figure 14:

Figure 14. Casters for A-dec Stools

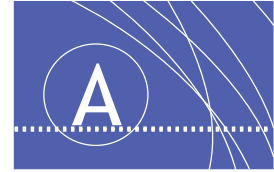


- (A) Casters for carpeted areas  
 (B) Casters for tiled floors

### Care Instructions

For instructions about surface cleaning and disinfecting, refer to the *A-dec Equipment Asepsis Guide* (Publication No. 85-0696-00).

# APPENDIX: WARRANTY & SPECIFICATIONS



## Warranty

A-dec warrants all products against defects in materials or workmanship for one year from time of delivery. A-dec's sole obligation under the warranty is to provide parts for the repair, or at its option, to provide the replacement product (excluding labor). The buyer shall have no other remedy. All special, incidental, and coincidental damages are excluded.

Written notice of breach of warranty must be given to A-dec within the warranty period. The warranty does not cover damage resulting from improper installation or maintenance, accident or misuse. The warranty does not cover damage resulting from the use of cleaning, disinfecting or sterilization chemicals and processes. The warranty also does not cover light bulbs. Failure to follow instructions provided in the *A-dec Instructions For Use* (operation and maintenance instructions) may void the warranty.

A-dec warrants A-dec dental chair cylinders, both lift and tilt for ten years from the date of purchase of the chair or the cylinder. This warranty is retroactive to A-dec chair cylinders already in the field. The warranty covers chair cylinders A-dec finds to have manufacturing irregularities. Stool cylinders are covered under A-dec's one-year warranty.

No other warranties as to merchantability or otherwise are made. For service information, contact your local authorized A-dec dealer. Check with local codes and ADA (Americans with Disabilities Act) requirements for installation of this product.




---

**CAUTION** Federal law restricts this device to sale by or on the order of a dentist, physician, or any other practitioner licensed by law of the state in which he or she practices to use or order the use of this device.

---

## Specifications for A-dec Stools

Specifications for various models of A-dec stools are listed in Table 2. Note that all stools offer upholstery choices (either seamless or sewn). Specifications are subject to change without notice.



**Table 2. Specifications**

Stool Model	Shipping Weight	Seat Height	Features
1601	35 lbs. (16 kg)	18.8"–25" (270mm–635 mm)	<ul style="list-style-type: none"> <li>• Two-way adjustable backrest</li> <li>• Contoured seat</li> <li>• Adjustable seat height and angle (tilt)</li> </ul>
1621	44 lbs. (20 kg)	21.25" –27.75" (540 mm–705mm)	<ul style="list-style-type: none"> <li>• Two-way adjustable backrest</li> <li>• Contoured seat</li> <li>• Adjustable seat height and angle (tilt)</li> <li>• Height-adjustable foot ring</li> </ul>
1622	44 lbs. (20 kg)	22.5"–29" (257mm–727mm)	<ul style="list-style-type: none"> <li>• Height-adjustable Torso Support</li> <li>• Contoured-Round seat</li> <li>• Height-adjustable seat and foot ring</li> </ul>
1626	44 lbs. (20 kg)	22.5"–29" (257mm–727mm)	<ul style="list-style-type: none"> <li>• Height-adjustable Torso Support</li> <li>• Contoured seat</li> <li>• Height-adjustable seat and foot ring</li> </ul>





**A-dec Headquarters**

2601 Crestview Drive  
Newberg, OR 97132 USA  
Tel: 1.800.547.1883 Within USA/Canada  
Tel: 1.503.538.7478 Outside USA/Canada  
Fax: 1.503.538.0276  
[www.a-dec.com](http://www.a-dec.com)

*International Distribution Centers*

**A-dec Australia**

Tel: 1.800.225.010 Within Australia  
Tel: +61 (0)2 8332 4000 Outside Australia  
[www.a-dec.com.au](http://www.a-dec.com.au)

**A-dec United Kingdom**

Tel: 0800 ADECUK (233285) Within UK  
Tel: +44 (0) 24 7635 0901 Outside UK  
[www.a-dec.co.uk](http://www.a-dec.co.uk)



85.2606.00 Rev D / 2008-12  
Copyright 2008 A-dec Inc.  
All rights reserved.