

PYRO-JBOX | Power Supply Junction Box for multiple Snow Sensors

Features

- Indoor installation Junction Box for connection of several snow sensors to one PYRO system
- Up to 3 sensors power supply
- 110VAC operated
- Provides power supply and RS485 communication interface



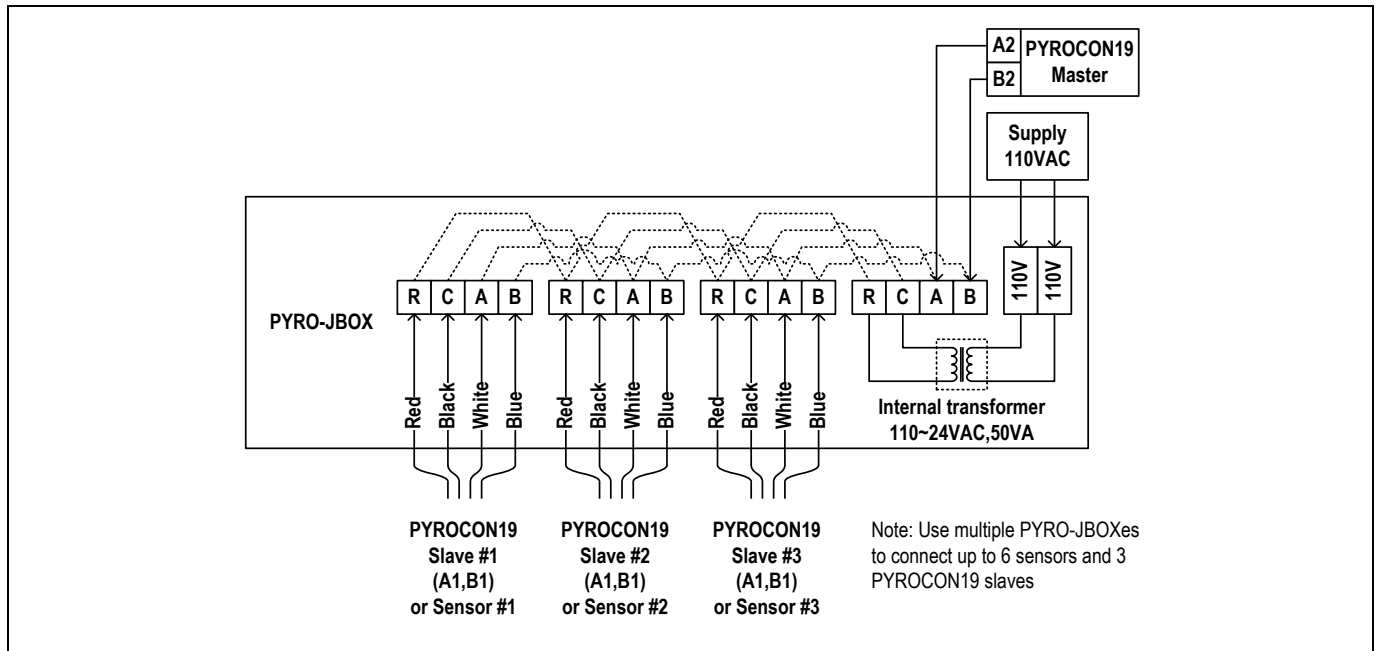
Description

The PYRO-JBOX was designed to help installations with more than one Ground Snow Sensor. The Junction Box with its built-in transformer, provides the necessary power to the internal heaters in the ground sensor.

The Junction Box should be connected to the PYROCON19 only by the 2 A/B wires (RS485) and a separate isolated 110V power supply input, provides the 24VAC to the sensors.

PYRO-JBOX | Power Supply Junction Box for multiple Snow Sensors

Wiring diagram



Technical specifications

Enclosure Protection	IP66/67, Outdoor Mounting	Supply	110VAC±20%, 50-60Hz
Entries	2x18AWG supply wires (110V) Up to 3: 2x18AWG supply wires (24V) Up to 4: 2x22AWG communication wires (A,B)	Out	24VAC, 50VA
Material	Plastic: ABS	Operating temp.	-40°F to 122°F (-40° C to 50°C)
		Storage temp.	-50°F to 158°F (-40°C to 70°C)
		Dimensions	230.0 x 140.0 x 95.0 mm 9.1 x 5.5 x 3.7 inch

The performance specifications are nominal and conform to acceptable industry standards. For applications at conditions beyond these specifications, consult the local Meitav-tec office or representative. Meitav-tec shall not be liable for damages resulting from misapplication or misuse of its products.

This document is subject to change without any notice.