

## Features & Benefits

- Electronic Snow and Ice sensor for ground installations
- Energy Efficient algorithm
- 24VAC operated
- Rust free, cylinder shaped metallic design
- Up to 2 PYROSENSE-GROUND sensors can be chained into one PYROCON19 controller + gutter and aerial sensors
- 4 wires installation – 30 ft. cable supplied with the sensor
- Simple user interface for parameters set from PYROCON19 controller
- Adjustable Temperature Set-point and RH sensitivity from PYROCON19 controller
- Technician testing / commissioning mode for easy and fast system test all year long (even during summer or at high temp)



## Description

The PYROSENSE-GROUND is a stylish, smart and reliable Snow and Ice sensor for Ground and Pavement installations. Installed outdoors it detects snow, sending the information via the PYROCON19 controller to the heating systems.

The PYROSENSE-GROUND is connected to the Snow Melting Controller (PYROCON19) with a 30 feet (10 m.), 24V 4 wires cable and communicating with the controller, providing the snow detection based on the adjustable parameters.

The non-rusting metallic round flat shape design helps to assure reliable Snow/Ice detection as it prevents from the snow to accumulate around the sensing area using the internal heaters.

The snow detection status is visible on the backlit LCD display of the PYROCON19 controller and over the BACNET/MODBUS interface from the PYROCON19.

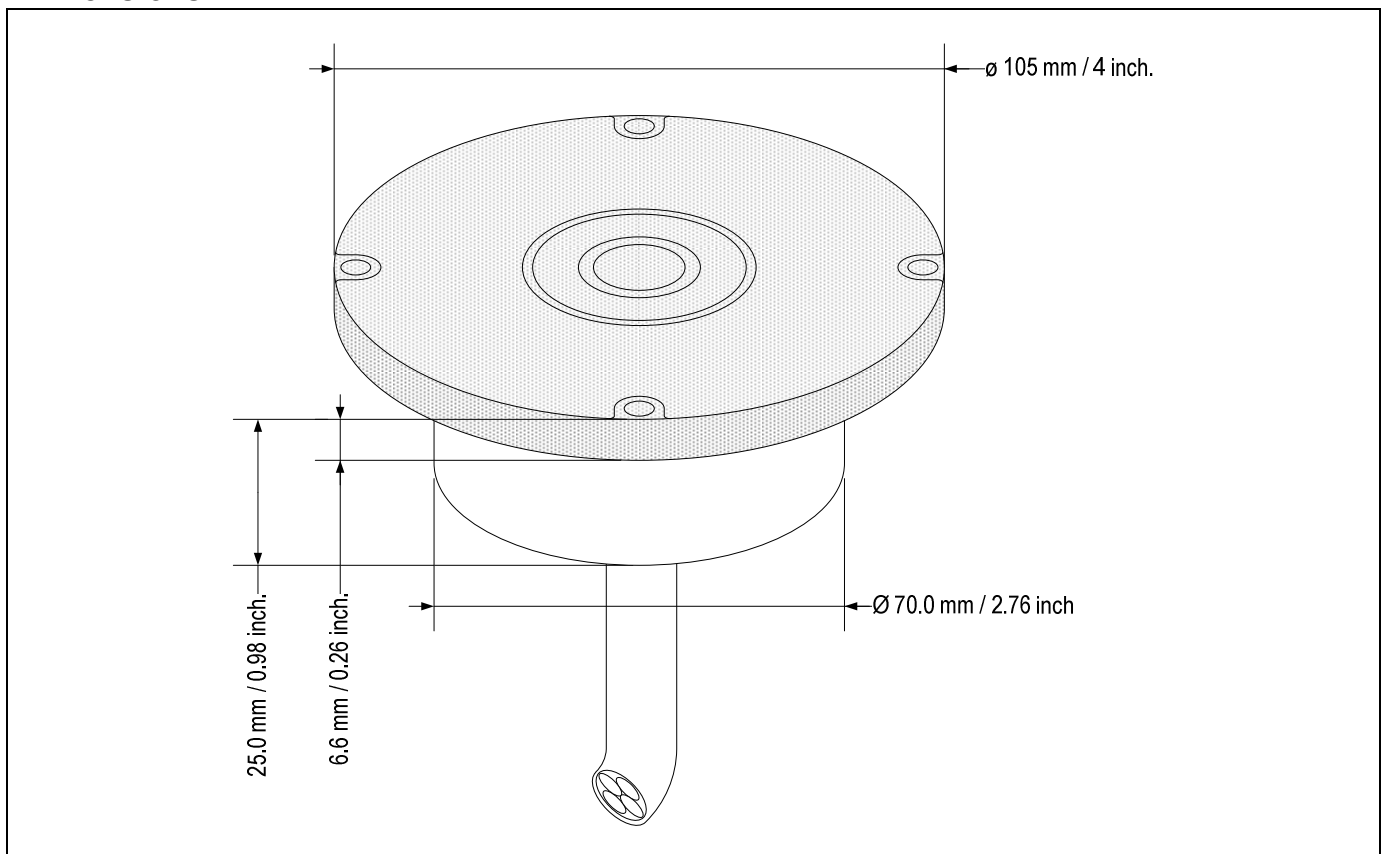
The PYRO system can work with up to 2 PYROSENSE-GROUND Snow Sensors chained one after the other plus 2 gutter sensors and/or 4 aerial sensors. (The snow detection from the sensor/s will activate the heaters according to the heating sequence defined in the PYROCON19).

## PYROSENSE-GROUND | Outdoor pavement/ground Snow & Ice Sensor

There is no need for pre-defined address for each of the sensors and the address of each sensor can be modified after the connection to the system via the PYROCON19. Each snow sensors must have different MAC (Media Access Control) address in order to communicate with the PYROCON19.

Installing the PYROSELF-GROUND is simple and it was designed to fit any standard round ground plastic junction box such as Carlon E970CDE Round Junction Box (not supplied with the sensor).

### Dimensions



### Technical specifications

<b>Enclosure Protection</b>	IP65, Outdoor Mounting	<b>Supply</b>	24VAC±20%,50-60Hz
<b>Entries</b>	33 ft. (10 m) Four wires cable: 2x18AWG supply wires 2x22AWG communication wires	<b>Communication</b>	RS485
<b>Material</b>	Metal: Stainless steel	<b>Operating temp.</b>	-40°F to 122°F (-40° C to 50°C)
		<b>Storage temp.</b>	-50°F to 158°F (-40°C to 70°C)

The performance specifications are nominal and conform to acceptable industry standards. For applications at conditions beyond these specifications, consult the local Meitav-tec office or representative. Meitav-tec shall not be liable for damages resulting from misapplication or misuse of its products.

This document is subject to change without any notice.

© Copyright 2020 Meitav-tec Ltd'. All rights reserved.