



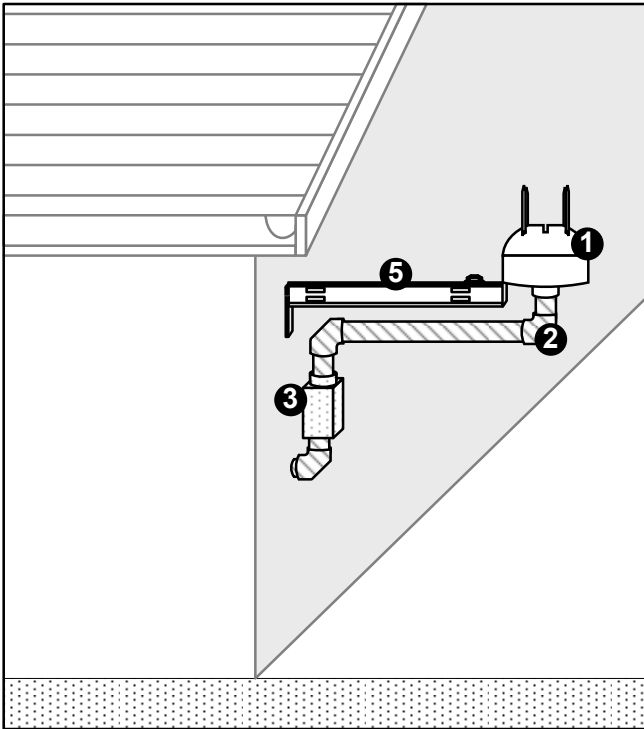
PYROSENSE-AB

Communicating electronic snow and ice sensor

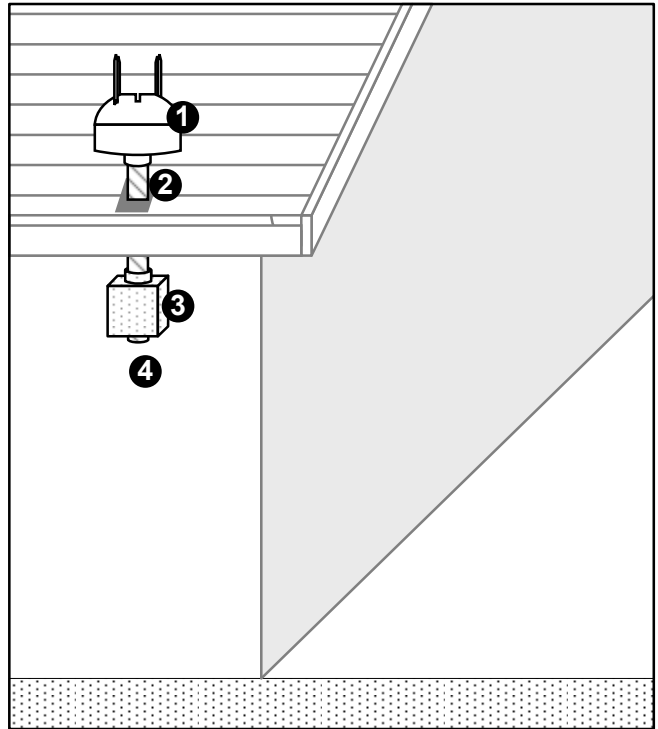
Installation instructions and Object list



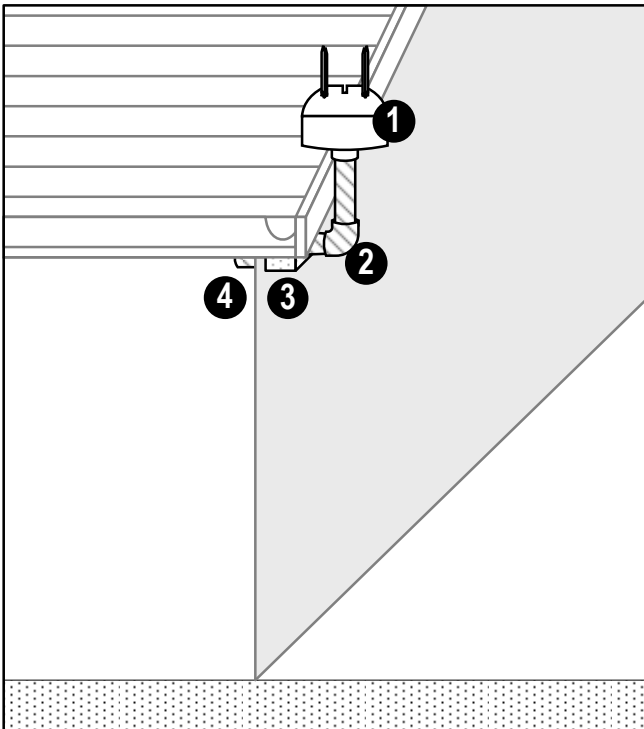
Installation options



Wall mount installation



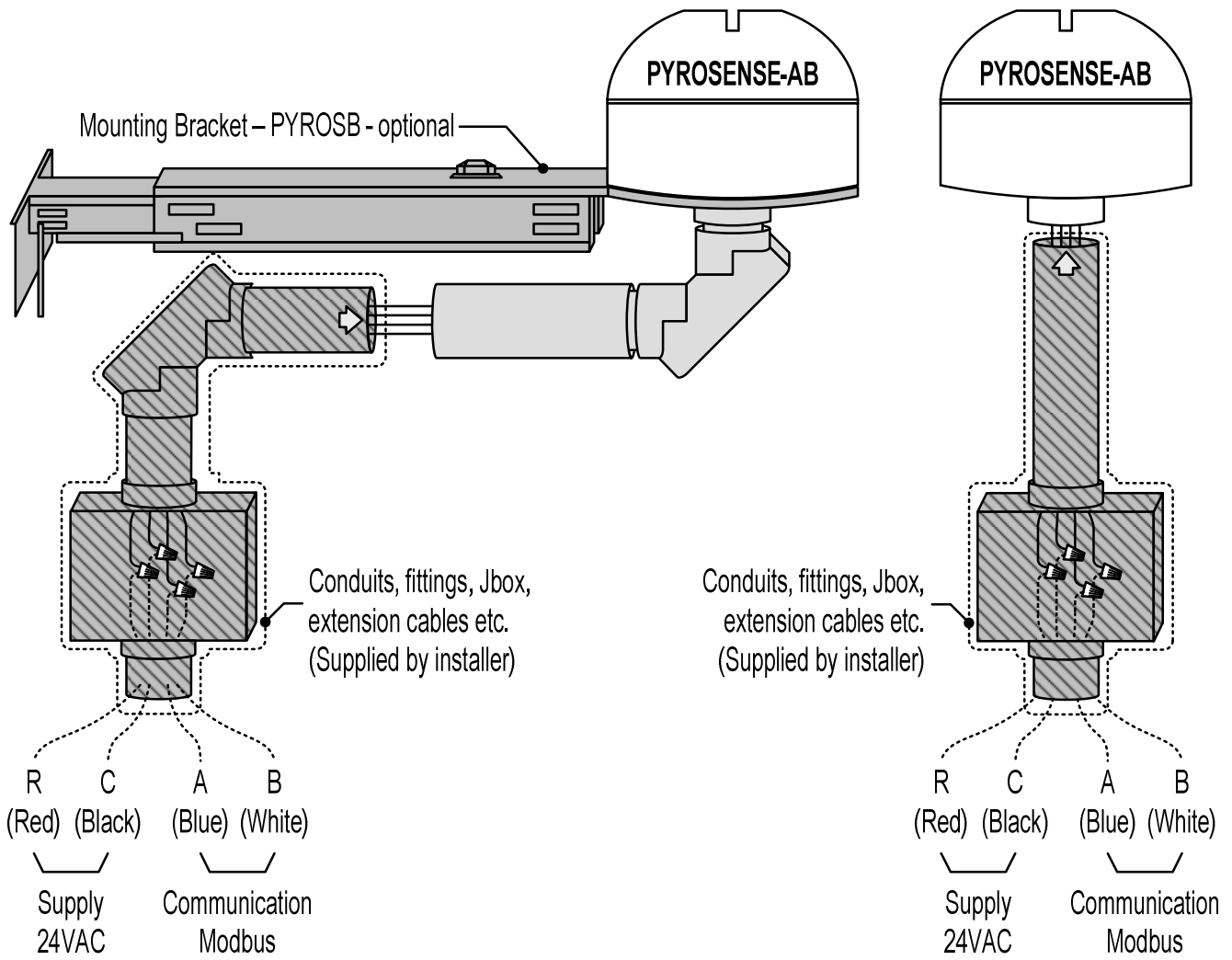
Roof installation



Roof side installation

- 1 PYROSENSE
- 2 Waterproof conduit (Supplied by installer).
Use non-metallic, UL listed, flexible conduit 3/4".
Maximal length between the PYROSENSE and the JBOX should not exceed 24".
- 3 JBOX – Junction box (Supplied by installer)
- 4 Wiring (2 x 24VAC supply, 2 x Communication - Modbus)
- 5 Mounting Bracket – PYROSB - optional

Wiring connections



Object list

MODBUS RTU Mode, Address Slave 1-127

Baud rate: 9600, n, 8, 1

Supported Commands:

0x03 = Read Holding Registers (for all)

0x06 = Preset Single Register (For R/W registers only)

0x2B = Identify controller

Vendor Url = "meitavtec.com"

Product Name = "Pyrosense AB"

Model Name = ""

User Application Name = "Pyrosense AB"

N°	Address	Value (Range)	Description	Default	Read/Write
1	0x0000	-35...50°C -31...122°F	Ambient Temperature	X	R
2	0x0001	0 - sensor is dry 1 - sensor is wet	Precipitation: dry / wet	X	R
3	0x0002	-20...15°C -4...59°F	Temperature set-point to detect snow	3°C 37°F	R/W
4	0x0003	0 - no snow 1 - snow detected	Snow Detection (calculated)	X	R
5	0x0004	0 - 60 min	Threshold time to detect snow	1 min	R/W
6	0x0005	0 – disable 1 – enable	Enable Low limit Temperature to detect snow	1	R/W
7	0x0006	-35 ... -5°C -31 ... 23°F	Low Limit Temperature to detect snow	-20°C -4°F	R/W
8	0x0007	0...10°C 0...20°F	Over set-point temperature high limit to detect humidity	3°C 6°F	R/W
9	0x0008	20...80%	Sensor sensitivity %	50	R/W
10	0x0009	0 - Normal mode 1 - Commissioning mode	Commissioning Mode	0	R/W
11	0x000A	0 - °F, 1 - °C	Temperature scale C/F	1 – °C	R/W
12	0x000B	1-127	MAC address	1	R/W
13	0x000C	0...2880	Time Delay Counter	0	R/W
14	0x000D	0/1	Time Delay Counter Done	X	R
15	0x000E	0/1	Restore default	0	R/W

The MODBUS Register No. X is addressed in the MODBUS Register Address (PDU) X-1.

All Registers are signed Integer 16 bit.