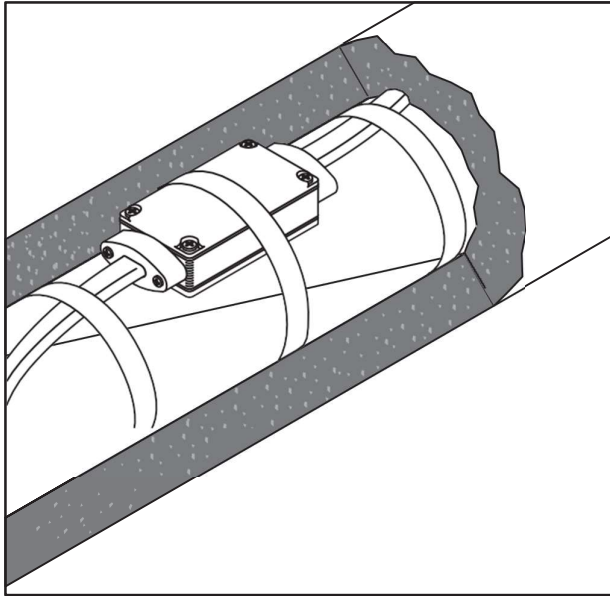


ET-I-SK Low-Profile Splice Connection Kit



Description

The ET-I-SK is design to be use with Drexma MVP parallel heating cables. The ET-I-SK is installed on pipe under insulation and/or cladding.

Tools & Material Needed

- Wire cutter
- Screwdriver
- Nose pliers
- Tie Wrap

- Glass Cloth Tape ET-GCT
- Aluminum tape ET-AT

Approvals



Glass 1, Div. 2, Groups A, B, G, D¹²¹
 Glass II, Div. 2, Groups E, F, G¹²¹
 Glass 111¹²¹

Kit includes

Item	Qty	Description
A		Main box
B	2	Pressure Seal End
C	2	(colour) Grommets
D	2	Gaskets for Main Box
E	2	Cover for Main Box
F		Label

