



THREE METHODS TO SIZE YOUR ELLA STEIN® RINGS

One of these **three measuring techniques**
will help you find the perfect fit!

IMPORTANT: The print scale must be set to 100 percent and the “fit to page” box must be left **unchecked** in order to get accurate measurements from this printout.

Place credit card here to check scale (printed document)

TIPS FOR SUCCESS

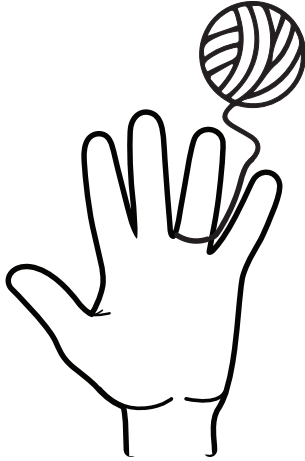
Tip 1: Measure your fingers at the end of the day and not when they are overly cold or swollen from heat/medication.

Tip 2: The fingers on your dominant hand tend to be larger than those on your non-dominant hand, so make sure you measure each finger you want to purchase for.

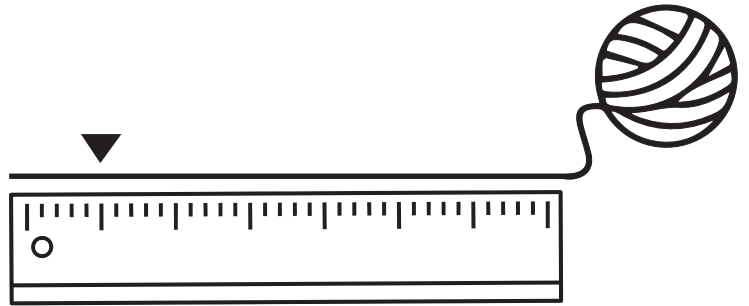
Tip 3: If the size of your finger below the knuckle drastically differs in size from the knuckle itself, measure your knuckle as well and choose a size that falls in the middle of the two measurements.

METHOD 1: SIZING WITH PAPER OR STRING

1.



2.



3.

RING CONVERSION CHART

4.5	14.8 mm
5	15.6 mm
5.5	16 mm
6	16.45 mm
6.5	16.9 mm
7	17.3 mm
7.5	17.7 mm

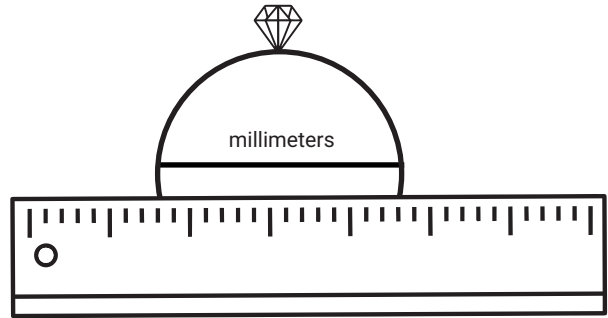
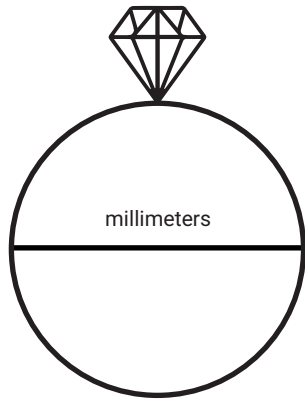
8	18.2 mm
8.5	18.6 mm
9	19 mm
9.5	19.4 mm
10	19.9 mm

INSTRUCTIONS:

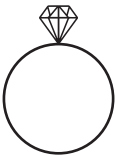





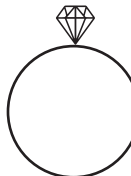
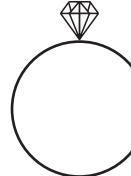
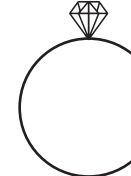
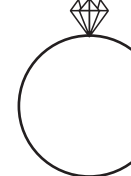
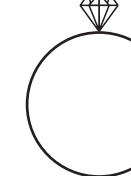

1. Cut a strip of paper/string 4 inches long. Wrap the paper/string around the base of your finger and mark where it meets.
2. Measure the marked length of the paper/string in millimeters.
3. Use our conversion chart to find the corresponding ring size.

METHOD 2: SIZING A RING YOU OWN

1.



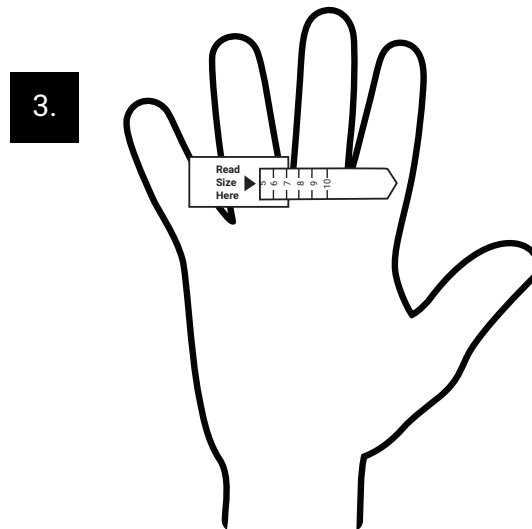
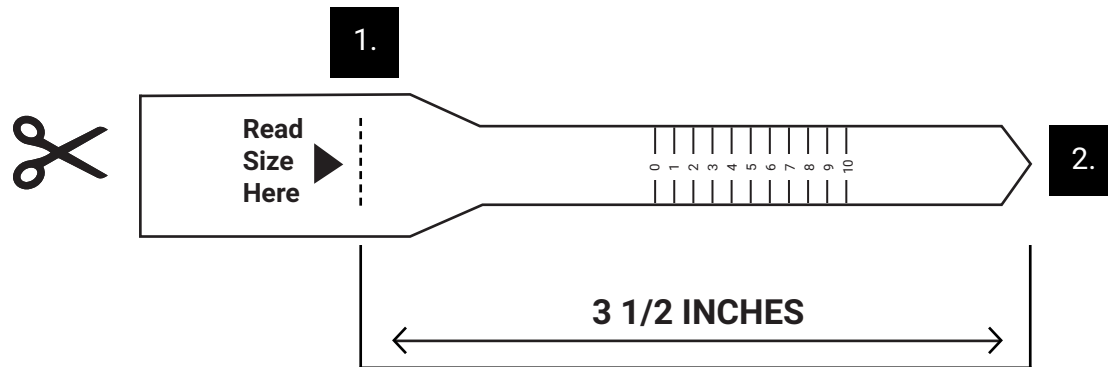
2.

 4.5 14.8 mm	 5 15.6 mm	 5.5 16 mm	 6 16.45 mm	 6.5 16.9 mm	 7 17.3 mm
 7.5 17.7 mm	 8 18.2 mm	 8.5 18.6 mm	 9 19 mm	 9.5 19.4 mm	 10 19.9 mm

INSTRUCTIONS:

1. Use a ruler to measure the inside diameter of your ring in millimeters (straight across the inside of the ring from edge to edge).
2. Use our conversion chart to find the corresponding ring size OR match the inside perimeter to one of the rings on this page.

METHOD 3: SIZING WITH THE RING SIZER



INSTRUCTIONS:

1. Cut out the Ring Sizer and then cut the “Read Size Here” slit.
2. Wrap the Ring Sizer around your finger and insert the end with the measurements through the slit.
3. Pull to create a comfortable fit. The number located at the slit is your proper ring size.