

NOVA PRO SOFT-CLOSE S16/S19

Full extension slide 40/70 kg




- Excellent running characteristics
- Fully synchronised slide technology
- Soft-close damping system
- Limit stop damper
- Maximum side stability
- Minimum drawer deflection
- Suitable for all Nova Pro drawer sides

Notice:

- For use with cabinet side wall S16 and S19 mm
- Installation width 29 mm
- See planning dimensions


ORDER INFORMATION

1 Nova Pro Full extension slide 40 kg Soft-close S16/S19

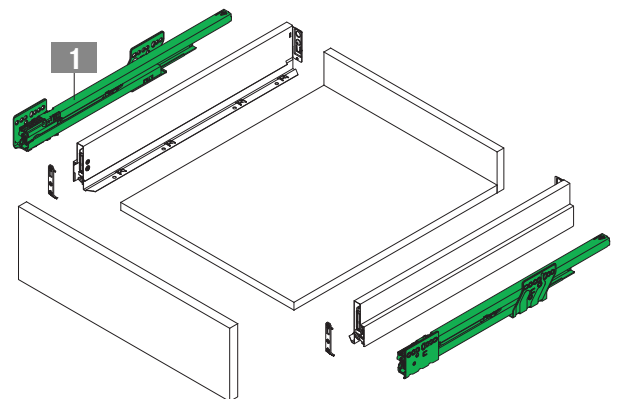


NL	40 kg	40 kg	40 kg	
	Left, Right	Left	Right	
270	F101108261	F101108262	F101108263	
300	F101108264	F101108265	F101108266	
350	F101108267	F101108268	F101108269	
400	F101108270	F101108271	F101108272	
450	F101108273	F101108274	F101108275	
500	F101108276	F101108277	F101108278	
550	F101108279	F101108280	F101108281	
600	F101108282	F101108283	F101108284	

1 Nova Pro Full extension slide 70 kg Soft-close S16/S19



NL	70 kg	70 kg	70 kg	
	Left, Right	Left	Right	
450	F101108285	F101108286	F101108287	
500	F101108288	F101108289	F101108290	
550	F101108291	F101108292	F101108293	
600	F101108294	F101108295	F101108296	
650	F101108297	F101108298	F101108299	

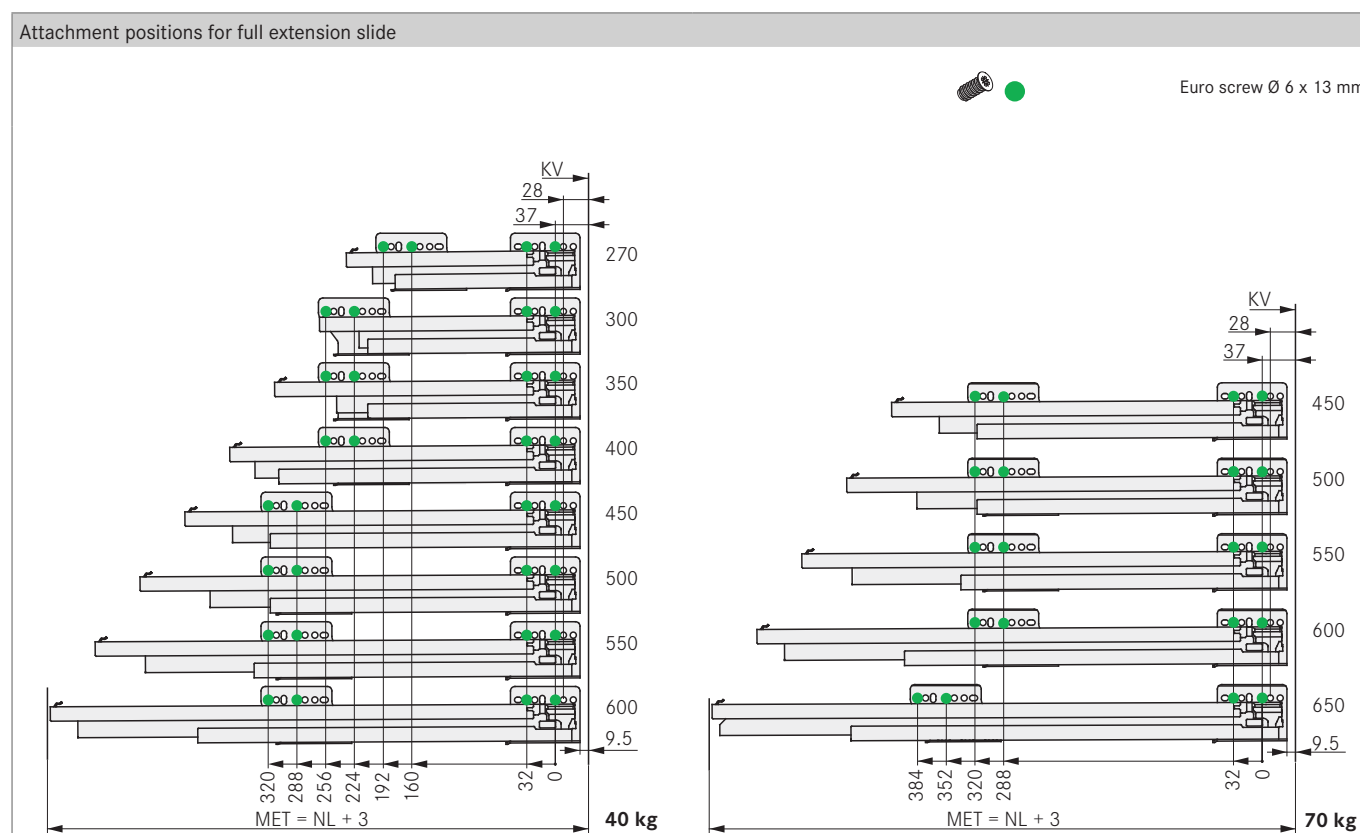
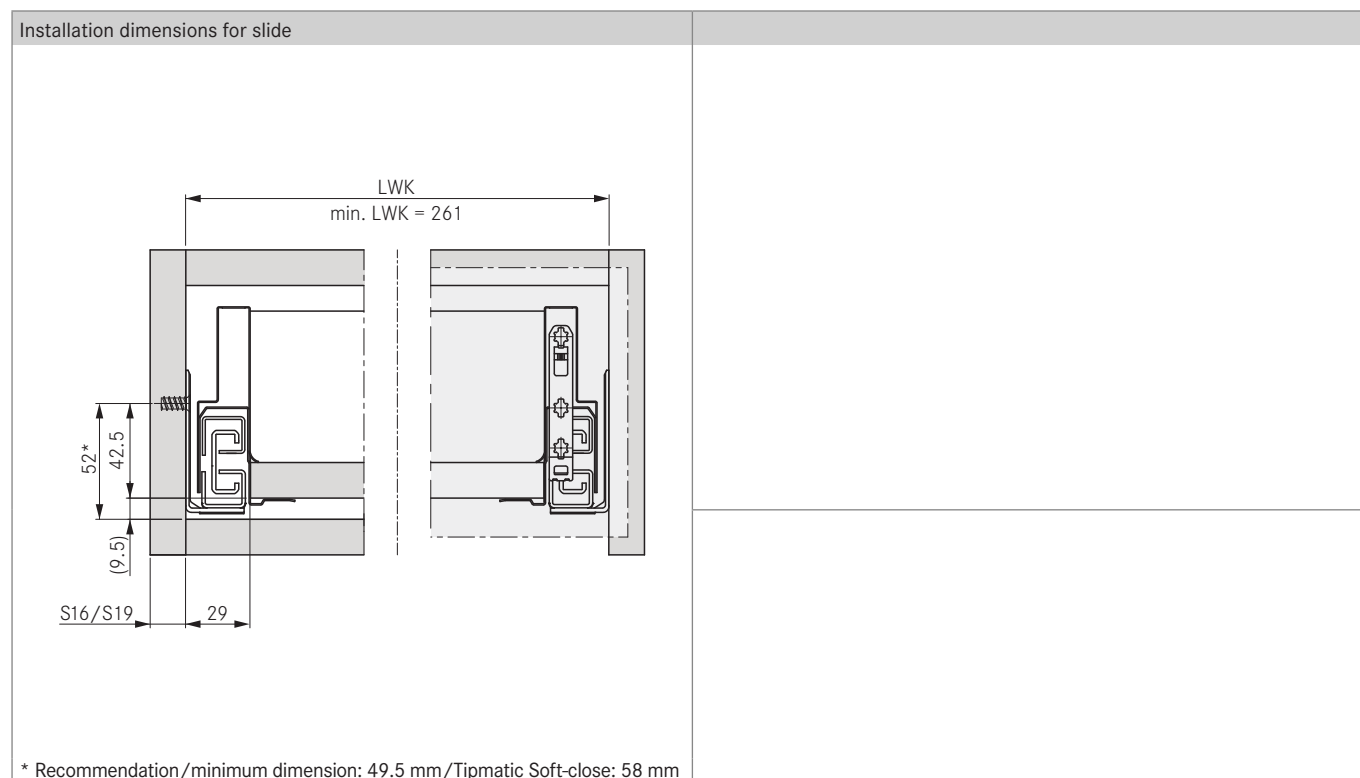


PAGE REFERENCES

Drawer sides	16	Designer panels	68	Organising systems	93
Inset panels	44	Accessories	80	Sensomatic	105
Steel back panels	62	Technical information	86	Assembly technology	125

PLANNING INFORMATION

All dimensions in millimetres



LEGEND

KV	Front edge of cabinet	S	Side wall thickness
LWK	Inside cabinet width		
MET	Minimum installation depth		
NL	Nominal length		