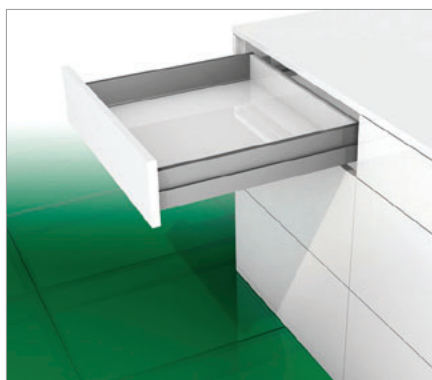


NOVA PRO SCALA

Drawer H90



- The practical standard drawer for every application
- Can be customised using designer panels
- Integrated height and side adjustment
- Straight inside surfaces and narrow installation width ensure optimal utilisation of space
- Sturdy construction and high degree of stability
- Tool-free installation and removal of the front
- Same bottom panel and back panel width
- No need to machine the bottom panel

Notice:

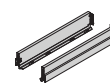
- Front-bottom panel connector recommended for KB 800 mm and above (see accessories)

ORDER INFORMATION

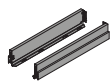
1 Nova Pro Scala Drawer sides, H90 Ice				
NL	Ice	Ice	Ice	
	Left, Right	Left	Right	
270	F100103135	F100103136	F100103137	
300	F100103138	F100103139	F100103140	
350	F100103141	F100103142	F100103143	
400	F100103144	F100103145	F100103146	
450	F100103147	F100103148	F100103149	
500	F100103150	F100103151	F100103152	
550	F100103153	F100103154	F100103155	
600	F100103156	F100103157	F100103158	
650	F100103159	F100103160	F100103161	



1 Nova Pro Scala Drawer sides, H90 Silver				
NL	Silver	Silver	Silver	
	Left, Right	Left	Right	
270	F100103162	F100103163	F100103164	
300	F100103165	F100103166	F100103167	
350	F100103168	F100103169	F100103170	
400	F100103171	F100103172	F100103173	
450	F100103174	F100103175	F100103176	
500	F100103177	F100103178	F100103179	
550	F100103180	F100103181	F100103182	
600	F100103183	F100103184	F100103185	
650	F100103186	F100103187	F100103188	



1 Nova Pro Scala Drawer sides, H90 Stone				
NL	Stone	Stone	Stone	
	Left, Right	Left	Right	
270	F100103108	F100103109	F100103110	
300	F100103111	F100103112	F100103113	
350	F100103114	F100103115	F100103116	
400	F100103117	F100103118	F100103119	
450	F100103120	F100103121	F100103122	
500	F100103123	F100103124	F100103125	
550	F100103126	F100103127	F100103128	
600	F100103129	F100103130	F100103131	
650	F100103132	F100103133	F100103134	



1 Nova Pro Scala Drawer sides, H90 Zircon				
NL	Zircon	Zircon	Zircon	
	Left, Right	Left	Right	
270	F100133214	F100133215	F100133216	
300	F100130863	F100130864	F100130865	
350	F100133217	F100133218	F100133219	
400	F100130866	F100130867	F100130868	
450	F100133220	F100133221	F100133222	
500	F100130869	F100130870	F100130871	
550	F100133223	F100133224	F100133225	
600	F100133226	F100133227	F100133228	
650	F100130872	F100130873	F100130874	



2 Installation hook		
Piece: Left or right		
BLA	Mounting material	Art. no.
32	Dowel (pre-mounted)	F102021854
32	Expansion dowel (pre-mounted)	F102117719
32/50	Screw (excl.)	F102021855
50	Dowel (pre-mounted)	F102021153
50	Expansion dowel (pre-mounted)	F102117720



Nova Pro Slides	
page 30	
	

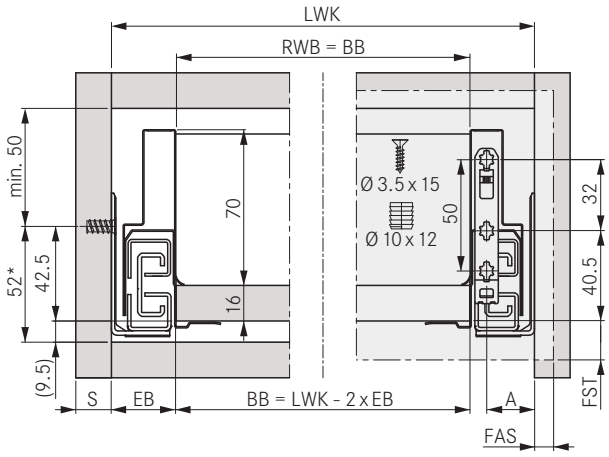
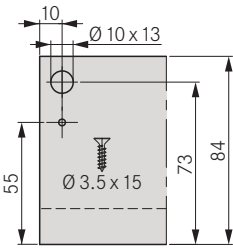
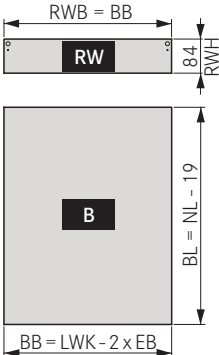
Nova Pro Front support for high fronts	
page 80	
	

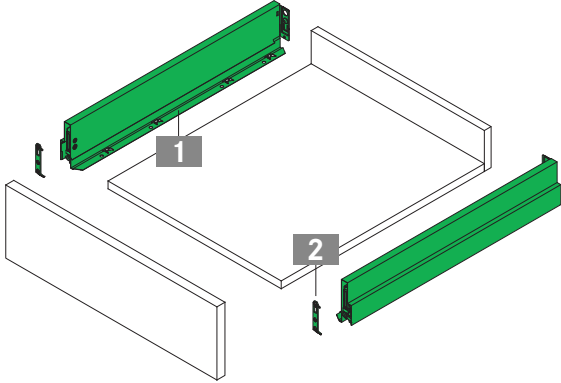
PAGE REFERENCES

Slides	30	Steel back panels	62	Technical information	86
Inset panels	44	Designer panels	68	Organising systems	93
Rectangular railing	58	Accessories	80	Sensomatic	105

PLANNING INFORMATION

All dimensions in millimetres

Front panel installation dimensions	Installation dimensions for back panel	Cutting dimensions for 16 mm chipboard												
	 <table border="1" data-bbox="802 824 1134 958"> <thead> <tr> <th colspan="3">Slide</th> </tr> </thead> <tbody> <tr> <td>S</td> <td>16/19</td> <td>18</td> </tr> <tr> <td>EB</td> <td>29</td> <td>30</td> </tr> <tr> <td>A</td> <td>21.5</td> <td>22.5</td> </tr> </tbody> </table> <p data-bbox="802 958 1134 1032">Note: Slide available in two versions: S16/S19 and S18. See chapter on slides.</p>	Slide			S	16/19	18	EB	29	30	A	21.5	22.5	
Slide														
S	16/19	18												
EB	29	30												
A	21.5	22.5												
<p>* Recommendation/minimum dimension: 49.5 mm/Tipmatic Soft-close: 58 mm</p>														

Exploded Drawing	
	

LEGEND

B	Bottom panel	EB	Installation width	NL	Nominal length
BB	Bottom panel width	FAS	Front overlay, side	RW	Back panel
BL	Bottom panel length	FST	Front overhang	RWB	Back panel width
BLA	Drill hole distance	LWK	Inside cabinet width	RWH	Back panel height