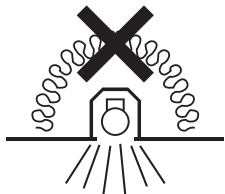


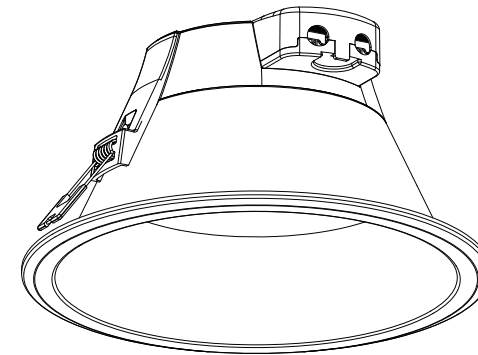
Model	Wattage	Voltage	Hz	Current	PF	CRI	Ta	CCT
50141 50140 50155	9W	220- 240V~	50/60Hz	0.05A	≥0.9	>80	-20~40°C	3000K / 4000K / 6500K
50146 50145 50160	16W			0.09A				
50154 50150 50165	21W			0.12A				




LED DOWNLIGHT 8"

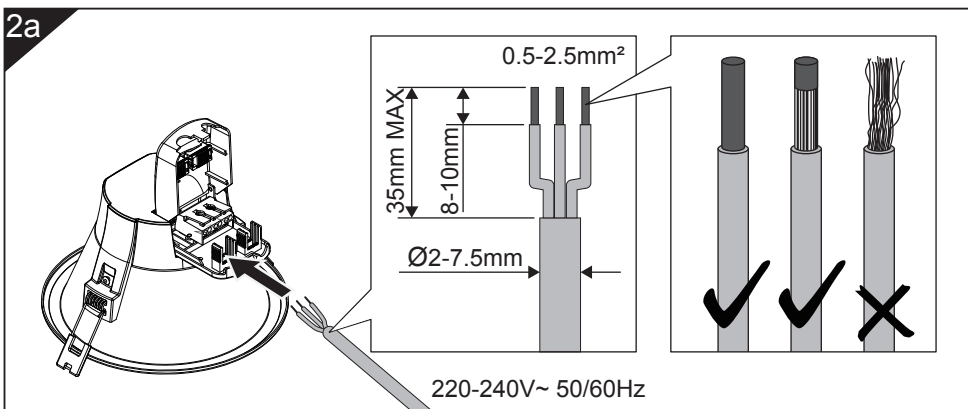
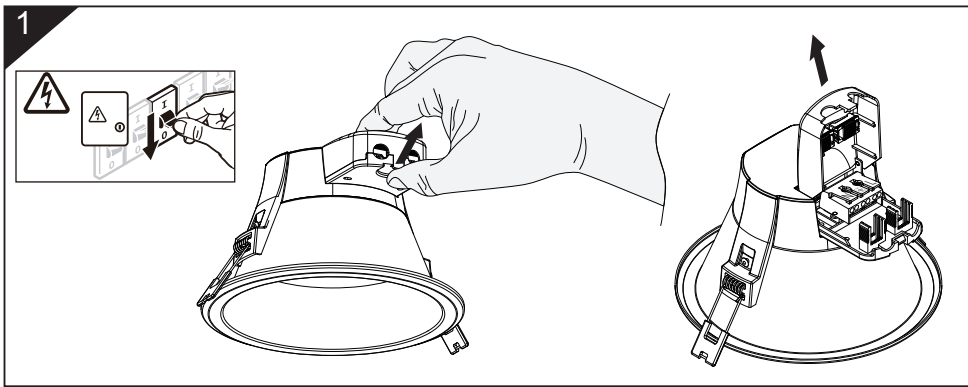
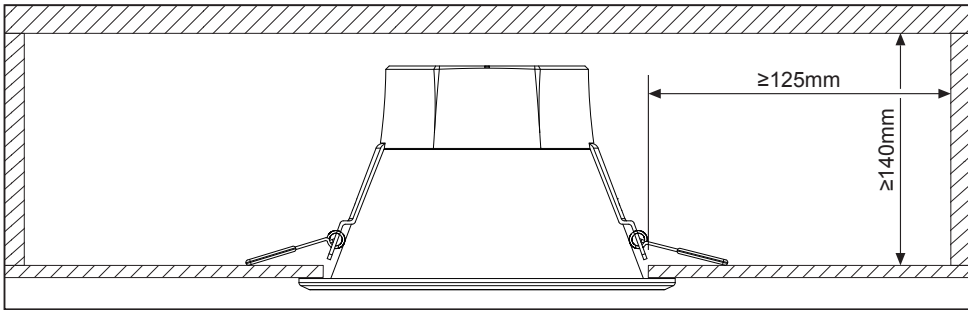
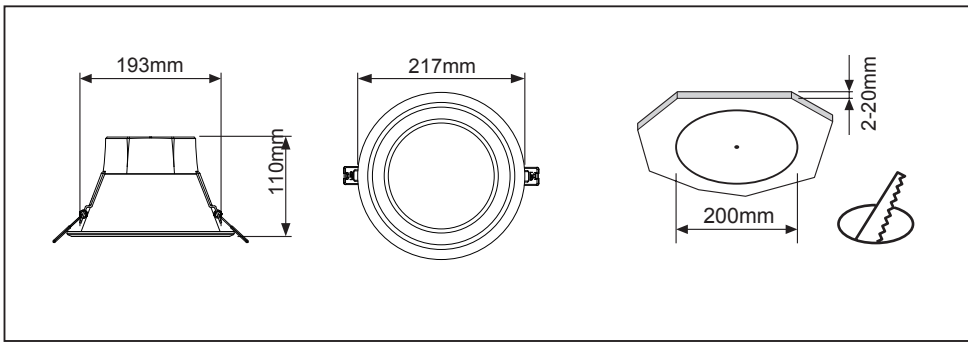


- Luminaires not suitable for covering with thermally insulating material.

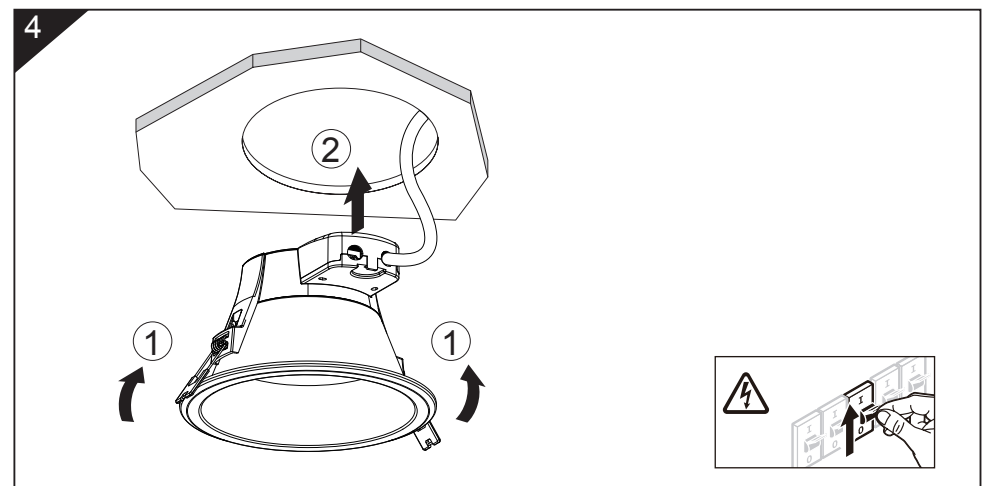
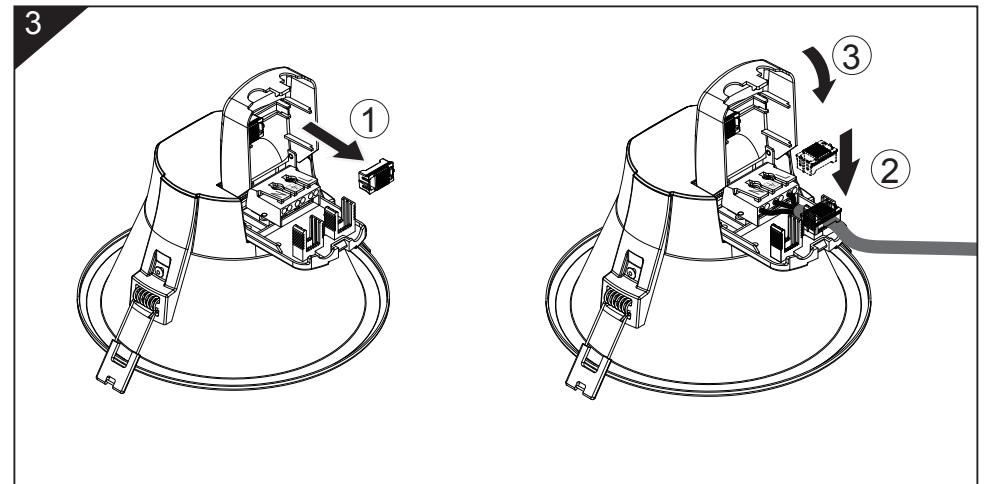
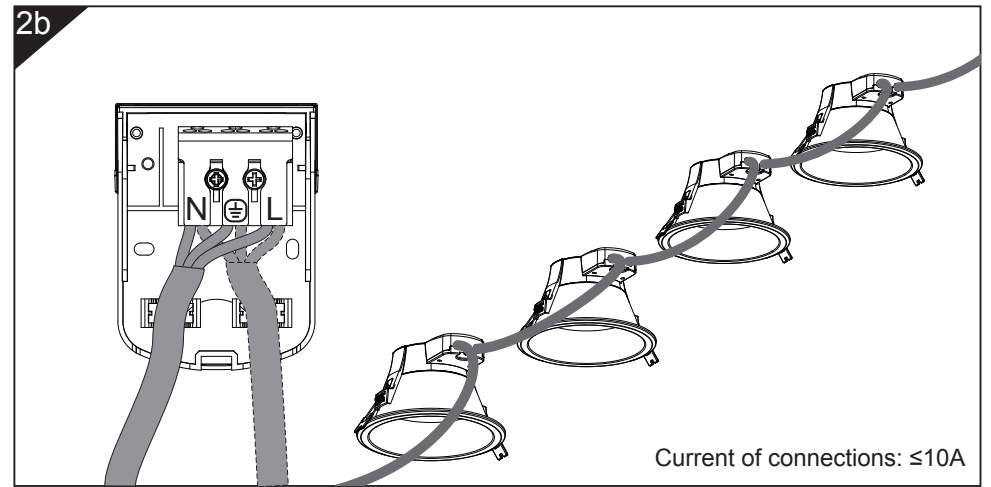
- This product must be installed by a licensed electrician, and installation should follow national installation rules.
- Indoor use only.
- The light source of this luminaire is not replaceable; when the light source reaches its end of life the whole luminaire shall be replaced.



IP20 CE   



2



3