



CORE ASSORTMENT 2022/23

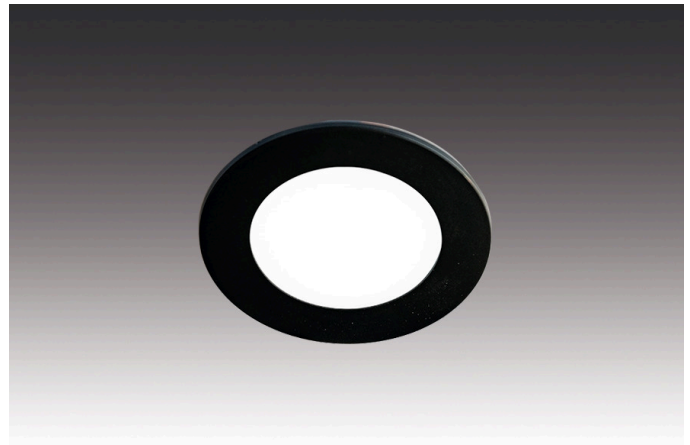


Hera[®]

FR 55



11mm flat, 55-58mm hole homogeneous recessed furniture luminaire FR 55-LED 3W



Description:

LED recessed spotlight with planar light, plastic housing, connecting cable 2.5m with LED 24-plug, light color warm white approx. 3000K, quick and easy installation with snap-in hooks, optional accessories: dim controller with radio remote control, WiFi app, DALI or 1-10V dimmer, mounting ring for mounting without installation hole

Connection: LED-Trafo DC 24 V
Life: L70/B10 >= 50.000 h
Light colour: 3000 K warm white
Beam angle: 110°
Energy efficiency: LED: 113 lm/W; luminaire: 210 lm (70 lm/W)
Energy efficiency class: G
Colour rendering: Ra/CRI >= 93
Symbols: CE, MM, IP44, SK III
EAN-No.: 4051268193597
Weight: 0,07 kg

Special features:

- suitable for mounting in metal sheet
- no visible luminous spots

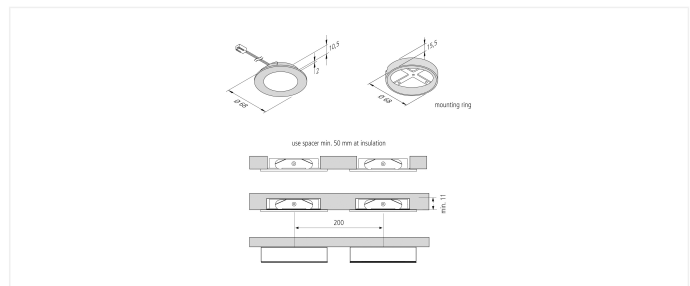
FR 55

	110°	Ø	ww	nw
0,5m		620	320 lx	340 lx
1,0m		1240	80 lx	85 lx
1,5m		1860	36 lx	38 lx
2,0m		2480	20 lx	21 lx
2,5m		3100	13 lx	14 lx

Drilling hole



55-58mm



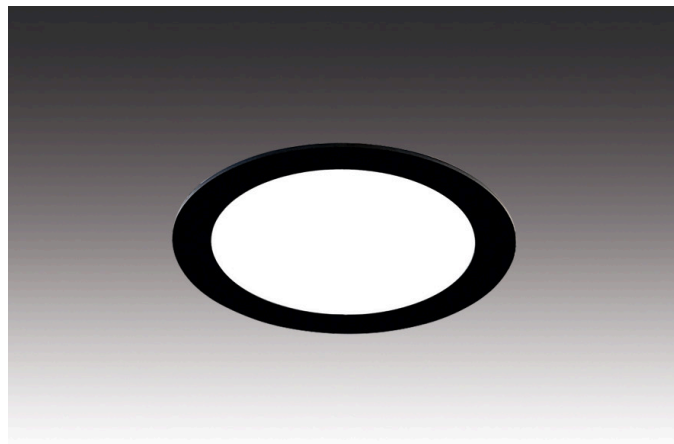
available versions

Choose from the options below. The currently selected one is highlighted in color.

article number	description	colour of housing	light colour
61001782003	FR 55-LED 3W ww black	black	3000 K warm white
61001782006	FR 55-LED 3W ww matt chrome	matt chrome	3000 K warm white
61001782008	FR 55-LED 3W ww stainless steel	stainless steel	3000 K warm white
61001783003	FR 55-LED 3W nw black	black	4000 K neutral white
61001783006	FR 55-LED 3W nw matt chrome	matt chrome	4000 K neutral white
61001783008	FR 55-LED 3W nw stainless steel	stainless steel	4000 K neutral white
61056933002	set of 3 FR 55-LED 3W ww black	black	3000 K warm white
61056938002	set of 3 FR 55-LED 3W ww stainless steel	stainless steel	3000 K warm white
61056938003	set of 3 FR 55-LED 3W nw stainless steel	stainless steel	4000 K neutral white
61056958002	set of 5 FR 55-LED 3W ww stainless steel	stainless steel	3000 K warm white
61056958003	set of 5 FR 55-LED 3W nw stainless steel	stainless steel	4000 K neutral white

FR 68

Flat recessed luminaire round FR 68-LED 4W



Description:

LED recessed spotlight with planar light, plastic housing, connecting cable 2.5m with LED 24-plug, light color extra warm white approx. 2700K, quick and easy installation with snap-in hooks, optional accessories: dim controller with remote control, DALI or 1-10V dimmer, mounting spring for a secure hold in lightweight ceilings, surface-mounting ring for installation without mounting hole

Connection: LED-Trafo DC 24 V
Life: L70/B10 >= 50.000 h
Light colour: 2700 K extra warm white
Beam angle: 110°
Energy efficiency: LED: 113 lm/W; luminaire: 270 lm (68 lm/W)
Energy efficiency class: G
Colour rendering: Ra/CRI >= 93
Symbols: CE, MM, UL, IP44, SK III
EAN-No.: 4051268194433
Weight: 0,07 kg

Special features:

- flush mounting in 16 mm panels
- no visible luminous spots

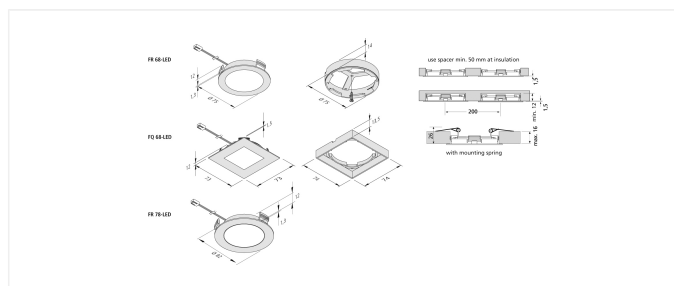
FR-/FQ 68/78

	110°	Ø	xw	ww	nw
0,5m		620	416 lx	440 lx	440 lx
1,0m		1240	104 lx	110 lx	110 lx
1,5m		1860	46 lx	49 lx	49 lx
2,0m		2480	26 lx	28 lx	28 lx
2,5m		3100	17 lx	18 lx	18 lx

Drilling hole



68mm



available versions

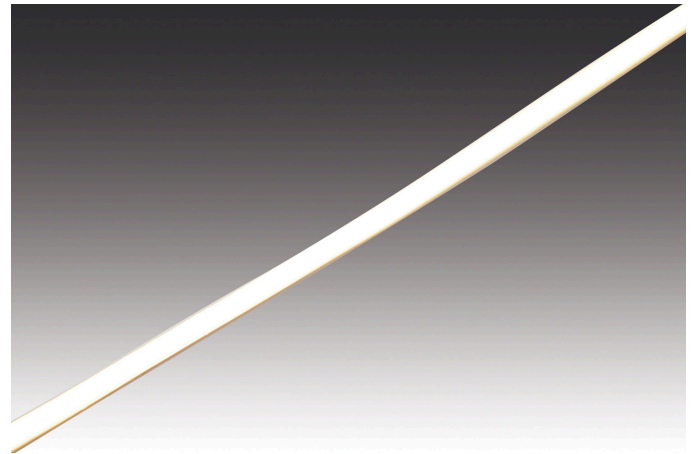
Choose from the options below. The currently selected one is highlighted in color.

article number	description	colour of housing	light colour
61001590413	FR 68-LED 4W xw black	black	2700 K extra warm white
61001590416	FR 68-LED 4W xw matt chrome	matt chrome	2700 K extra warm white
61001590418	FR 68-LED 4W xw stainless steel look	stainless steel	2700 K extra warm white
61001590203	FR 68-LED 4W ww black	black	3000 K warm white
61001590206	FR 68-LED 4W ww matt chrome	matt chrome	3000 K warm white
61001590208	FR 68-LED 4W ww stainless steel look	stainless steel	3000 K warm white
61001590303	FR 68-LED 4W nw black	black	4000 K neutral white
61001590306	FR 68-LED 4W nw matt chrome	matt chrome	4000 K neutral white
61001590308	FR 68-LED 4W nw stainless steel look	stainless steel	4000 K neutral white
61056333002	set of 3 FR 68-LED 4W ww black	black	3000 K warm white
61056303002	set of 3 FR 68-LED 4W ww stainless steel look	stainless steel	3000 K warm white
61056333003	set of 3 FR 68-LED 4W nw black	black	4000 K neutral white
61056303003	set of 3 FR 68-LED 4W nw stainless steel	stainless steel	4000 K neutral white
61056305002	set of 5 FR 68-LED 4W ww stainless steel	stainless steel	3000 K warm white
61056305003	set of 5 FR 68-LED 4W nw stainless steel	stainless steel	4000 K neutral white

Tape COB-4



4mm narrow, self-adhesive, homogeneous LED Tape COB-4 5m 25W



Description:

Flexible LED strip on roll, colour appearance warm white approx. 3000 K with planar light without visible luminous spots, quick and easy installation due to double-sided adhesive tape 3M, incl. supply cable 2,5 m with LED 24-plug, the tape can be shortened at 50 mm intervals (very fine black dot above and below the yellow silicone strip / for better orientation: the 5m roll consists of 10 sections of 500 mm each); optional accessory: dim controller with remote control, 1-10V, DALI, ZigBee, Sonar or WiFi/Alexa control

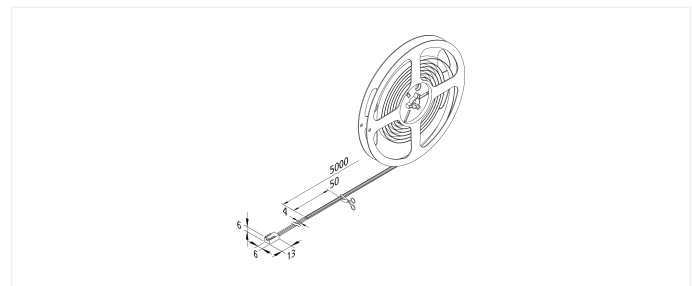
Connection: LED-Trafo DC 24 V
Life: L70/B10 >= 35.000 h
Light colour: 3000 K warm white
Beam angle: 160°
Energy efficiency: LED: 120 lm/W; luminaire: 500 lm/m (100 lm/W)
Energy efficiency class: F
Colour rendering: Ra/CRI >= 90
Symbols: CE, MM, IP20, SK III
EAN-No.: 4051268215749
Weight: 0,105 kg

Special features:

- max. 5 m per supply cable
- quick and easy installation due to double-sided adhesive tape
- tapes can be shortened at 50 mm intervals (very fine black dot above and below the yellow silicone strip / for better orientation: the 5m roll consists of 10 sections of 500 mm each)
- the tapes only can be reconnected by soldering
- no interfering electronic components during regular cleaning work

Tape COB-4

	160°	Ø	xw	ww	nw
0,5m		690	436 lx	480 lx	536 lx
1,0m		1380	109 lx	120 lx	134 lx
1,5m		2070	48 lx	53 lx	60 lx
2,0m		2760	27 lx	30 lx	34 lx
2,5m		3450	17 lx	19 lx	21 lx



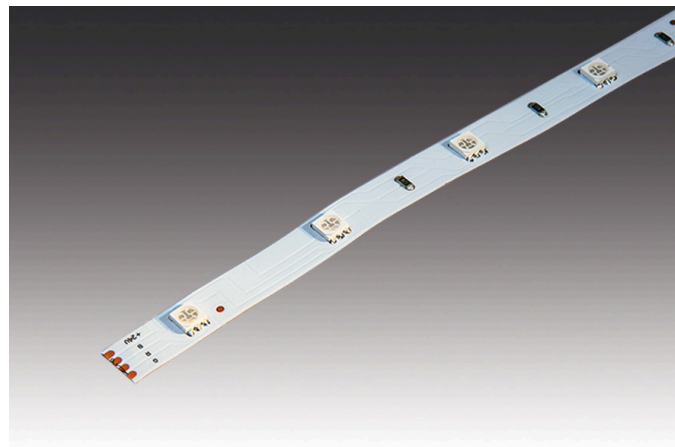
available versions

Choose from the options below. The currently selected one is highlighted in color.

article number	description	light colour
20203210104	LED Tape COB-4 5m 25W xw	2700 K extra warm white
20203210102	LED Tape COB-4 5m 25W ww	3000 K warm white
20203210103	LED Tape COB-4 5m 25W nw	4000 K neutral white

RGB Tape

Self-adhesive, with varying colours LED RGB Tape 5m



Description:

Flexible LED tape on roll with colour change, quick and easy installation due to the already applied double-sided 3M adhesive tape, supply cable easy to attach, the tape can be shortened every 167 mm (marks between the LEDs). Afterwards the tape can be reconnected without soldering with the connecting clip or the cables, accessories available: profile for glass shelves to stick on glass shelves, corner profile, cover profiles, milled profiles or mounting profiles, controller with remote control DALI, ZigBee or WiFi app.

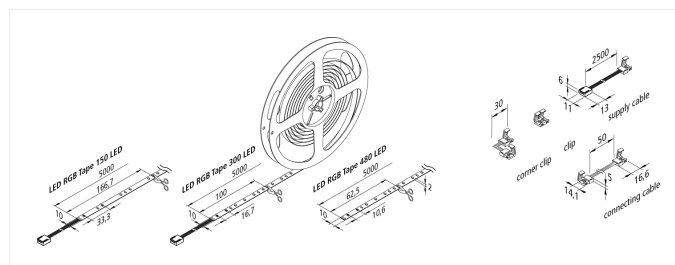
Connection: LED-Trafo DC 24 V
Life: L70/B10 >= 40.000 h
Light colour: coloured (RGB/W) adjustable
Beam angle: 120°
Energy efficiency: luminaire white: 175 lm/m (25 lm/W)
Energy efficiency class: G
Symbols: CE, MM, IP20, SK III
EAN-No.: 4051268135351
Weight: 0,13 kg

Special features:

- max. 10 m (version 150 LED) on one supply cable
- quick and easy installation due to double-sided adhesive tape and clips
- can be shortened at 167 mm (marks between the LEDs)
- RGB-Controller (radio + WiFi + DALI) page 139

RGB Tape

	120°	Ø	7W/m	12W/m
0,5m		650	340 lx	660 lx
1,0m		1300	85 lx	165 lx
1,5m		1950	38 lx	73 lx
2,0m		2600	21 lx	41 lx
2,5m		3250	14 lx	26 lx



available versions

Choose from the options below. The currently selected one is highlighted in color.

article number	description	energy efficiency
20202650100	LED RGB Tape 5m 150 LED 35W	luminaire white: 175 lm/m (25 lm/W)
20202650200	LED RGB Tape 5m 300 LED 60W	luminaire white: 350 lm/m (29 lm/W)
20202650300	LED RGB Tape 5m 480 LED 85W	luminaire white: 550 lm/m (32 lm/W)

HERA CONTACT DETAILS



Hera GmbH & Co. KG
 Dieselstraße 9
 D-32130 Enger
 Tel.: +49 5224 911- 0
 E-Mail: mail@hera-online.de

NEW

TAPE COB-10

Self-adhesive, flexible LED strips without visible luminous spots



Connection: LED transformer DC 24 V
Life: L70/B10 ≥ 40.000 hours
Energy efficiency: LED: 110 lm/W; luminaire: **1300 lm/m** (92 lm/W)
Colour rendering: Ra/CRI > 90

LED Tape COB-10				
		xw	ww	nw
0,5m	Ø 670	1284 lx	1520 lx	1488 lx
1,0m	Ø 1340	321 lx	380 lx	372 lx
1,5m	Ø 2010	143 lx	169 lx	165 lx
2,0m	Ø 2680	80 lx	95 lx	93 lx
2,5m	Ø 3350	51 lx	61 lx	60 lx

Special features:

- max. 6 m per supply cable
- quick and easy installation due to double-sided adhesive tape
- tapes can be shortened at 50 mm intervals (marks between the LEDs)
- afterwards the tapes can be reconnected only with soldering
- no interfering electronic components during regular cleaning work
- differences in brightness might be visible at the end of a 4 m tape

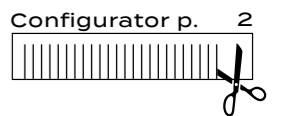


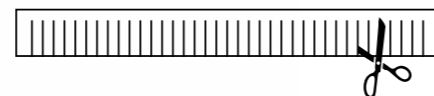
Photo: Küchenstudio Amann



HERA CONFIGURATOR



HERA ONLINE-CONFIGURATOR



With the help of our luminaire configurator, you can quickly and easily plan your individual luminaire online starting from 1 piece per order, which will arrive within 5 to 10 days. First you have to select the desired LED tape and determine the light colour. After that, everything is personalized. You can specify your preferred luminaire and cable length, how many luminaires you would like to have and choose between multiple profiles. Once you have specified everything for your desired luminaire, you can order your luminaire directly afterwards.

Illustration	Article No.	Description	Features	Weight approx.
	202 031 201 04	LED Tape COB-10 5m 48W xw	<ul style="list-style-type: none"> • colour appearance xw (extra warm white) approx. 2700K or ww (warm white) approx. 3000K or nw (neutral white) approx. 4000K • incl. supply cable 2,5m with LED 24 plug 	175 g
	202 031 201 02	LED Tape COB-10 5m 48W ww		175 g
	202 031 201 03	LED Tape COB-10 5m 48W nw		175 g
	215 300 725 01	Supply cable 2,5m for soldering (max. 60W)	<ul style="list-style-type: none"> • with tinned ends for soldering • max. 60W 	23 g

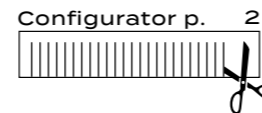
TAPE F

Self-adhesive flexible LED strips with homogeneous planar light



Connection: LED transformer DC 24 V
Life: L70/B10 ≥ 40.000 hours
Energy efficiency: LED: 110 lm/W; luminaire: **870 lm/m** (82 lm/W)
Colour rendering: Ra/CRI > 85

LED Tape F				
		xw	ww	nw
0,5m	Ø 650	540 lx	580 lx	644 lx
1,0m	Ø 1300	135 lx	145 lx	161 lx
1,5m	Ø 1950	60 lx	64 lx	72 lx
2,0m	Ø 2600	34 lx	36 lx	40 lx
2,5m	Ø 3250	22 lx	23 lx	26 lx



Special features:

- max. 5 m per supply cable
- quick and easy installation due to double-sided adhesive tape
- tapes can be shortened at 50 mm intervals
- afterwards the tapes can't be reconnected
- minimum bending radius 50 mm
- with IP54 suitable for applications requiring higher ingress protection (general humidity, bathroom, kitchen, shops)
- homogeneous planar light (no visible luminous spots)



Illustration	Article No.	Description	Features	Weight approx.
	202 027 401 04	LED Tape F 5m 700 LED 40W xw	• colour appearance xw (extra warm white) approx. 2700K or ww (warm white) approx. 3000K or nw (neutral white) approx. 4000K	780 g
	202 027 401 02	LED Tape F 5m 700 LED 40W ww	• supply cable 2,5m with LED 24 plug	780 g
	202 027 401 03	LED Tape F 5m 700 LED 40W nw	• with PU compound (IP 54)	780 g
	610 596 101 14	Set of 1 LED Tape F 1000mm 9,0W xw + transformer 15W NEW	• colour appearance xw (extra warm white) approx. 2700K or ww (warm white) approx. 3000K or nw (neutral white) approx. 4000K	362 g
	610 596 101 64	Set of 1 LED Tape F 3000mm 25,9W xw + transformer 30W NEW	• supply cable 2,5m with LED 24 plug	865 g
	610 596 101 12	Set of 1 LED Tape F 1000mm 9,0W ww + transformer 15W NEW	• with PU compound (IP 54)	362 g
	610 596 101 62	Set of 1 LED Tape F 3000mm 25,9W ww + transformer 30W NEW		865 g
	610 596 101 13	Set of 1 LED Tape F 1000mm 9,0W nw + transformer 15W NEW		362 g
	610 596 101 63	Set of 1 LED Tape F 3000mm 25,9W nw + transformer 30W NEW		865 g
Accessories	LED transformers 24V page 30 / dim-controller page 34-35			

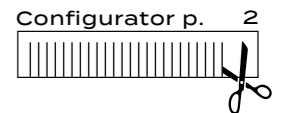
TAPE FN

LED Tape with homogeneous planar light for milled groove



Connection: LED transformer DC 24 V
Life: L70/B10 ≥ 54.000 hours
Energy efficiency: LED: 110 lm/W; luminaire: **221 lm/m** (23 lm/W)
Colour rendering: Ra/CRI > 90

LED Tape FN			
		ww	nw
0,5m	Ø 650	276 lx	292 lx
1,0m	Ø 1300	69 lx	73 lx
1,5m	Ø 1950	31 lx	32 lx
2,0m	Ø 2600	17 lx	18 lx
2,5m	Ø 3250	11 lx	12 lx



Special features:

- max. 5 m per supply cable
- quick and easy installation in a 4 mm wide and 8 mm deep milled groove
- tapes can be shortened at 50 mm intervals (lateral cutting mark)
- afterwards the tapes can't be reconnected
- minimum bending radius 25 mm
- homogeneous planar light (no visible luminous spots)

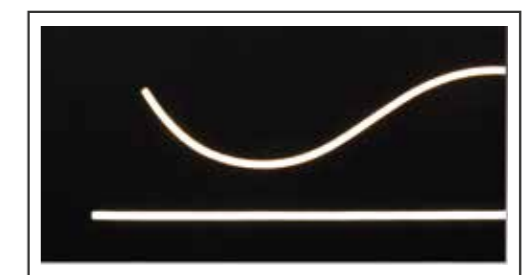
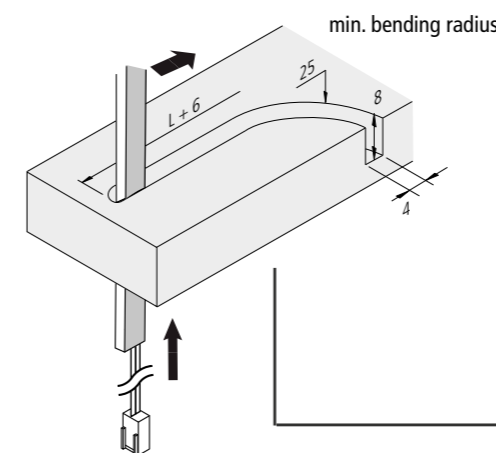


Illustration	Article No.	Description	Features	Weight approx.
	202 030 501 02	LED Tape FN 5m 700 LED 48W ww	• colour appearance ww (warm white) approx. 3000K or nw (neutral white) approx. 4000K	265 g
	202 030 501 03	LED Tape FN 5m 700 LED 48W nw	• incl. supply cable 2,5m with LED 24 plug	265 g
Accessories	LED transformers 24V page 30 / dim-controller page 34-35			

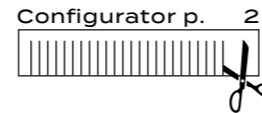
ECO-TAPE

Self-adhesive flexible LED strips on roll



Connection: LED transformer DC 24 V
Life: L70/B10 ≥ 50.000 hours
Energy efficiency: LED: 140 lm/W
 luminaire: **234 / 468 / 936 / 1870 lm/m** (117 lm/W)
Colour rendering: Ra/CRI > 80

LED Eco-Tape		10W	20W	40W	80W
0,5m	120° Ø 650	460 lx	904 lx	1672 lx	3228 lx
1,0m	Ø 1300	115 lx	226 lx	418 lx	807 lx
1,5m	Ø 1950	51 lx	100 lx	186 lx	359 lx
2,0m	Ø 2600	29 lx	57 lx	105 lx	202 lx
2,5m	Ø 3250	18 lx	36 lx	67 lx	129 lx



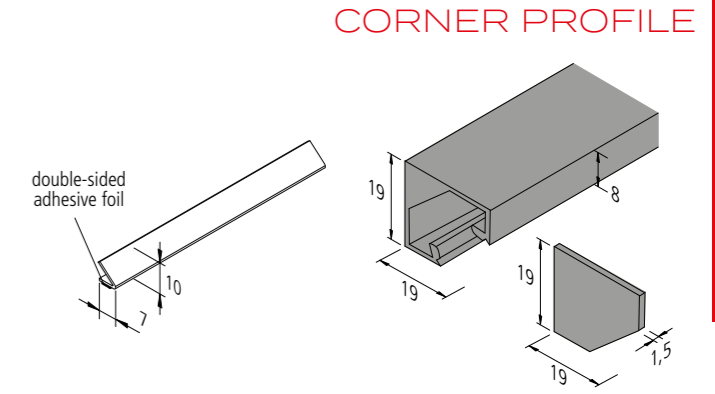
Special features:

- max. 10 / 10 / 6 / 5 m (version 10 / 20 / 40 / 80 W) on one supply cable
- quick and easy installation due to double-sided adhesive tape
- tapes can be shortened at 200 / 100 / 50 / 25 mm (version 150 / 300 / 600 / 1200 LED) intervals according to the marks
- afterwards the tapes can be reconnected without soldering (tape 1200 80 W up to 3 m max.) with the connecting clips or cables

Illustration	Article No.	Description	Features	Weight approx.
	202 029 601 02	LED Eco-Tape 5m 150 LED 10W ww	<ul style="list-style-type: none"> • colour appearance xw (extra warm white) approx. 2700K or ww (warm white) approx. 3000K or nw (neutral white) approx. 4000K or cw (cool white) approx. 5000K or dl (daylight) approx. 6500K • with supply cable 2,5m • without silicone compound 	80 g
	202 029 601 03	LED Eco-Tape 5m 150 LED 10W nw		80 g
	202 029 602 02	LED Eco-Tape 5m 150 LED 20W ww		80 g
	202 029 602 03	LED Eco-Tape 5m 150 LED 20W nw		80 g
	202 029 611 04	LED Eco-Tape 5m 300 LED 20W xw		80 g
	202 029 611 02	LED Eco-Tape 5m 300 LED 20W ww		80 g
	202 029 611 03	LED Eco-Tape 5m 300 LED 20W nw		80 g
	202 029 612 04	LED Eco-Tape 5m 300 LED 40W xw		80 g
	202 029 612 02	LED Eco-Tape 5m 300 LED 40W ww		80 g
	202 029 612 03	LED Eco-Tape 5m 300 LED 40W nw		80 g
	202 029 621 04	LED Eco-Tape 5m 600 LED 40W xw		80 g
	202 029 621 02	LED Eco-Tape 5m 600 LED 40W ww		80 g
	202 029 621 03	LED Eco-Tape 5m 600 LED 40W nw		80 g
	202 029 621 01	LED Eco-Tape 5m 600 LED 40W cw		80 g
	202 029 621 05	LED Eco-Tape 5m 600 LED 40W dl		80 g
	202 029 631 04	LED Eco-Tape 5m 1200 LED 80W xw	<ul style="list-style-type: none"> • colour appearance xw (extra warm white) approx. 2700K or ww (warm white) approx. 3000K or nw (neutral white) approx. 4000K • without silicone compound • incl. supply cable 2,5m (21528112501) • connecting clip and cable with clip up to 3m max. 	120 g
	202 029 631 02	LED Eco-Tape 5m 1200 LED 80W ww	120 g	
	202 029 631 03	LED Eco-Tape 5m 1200 LED 80W nw	120 g	
	610 592 103 24	Set of 1 LED Eco-Tape (600) 1000mm 9,0W xw + transformer 15W NEW	<ul style="list-style-type: none"> • colour appearance xw (extra warm white) approx. 2700K or ww (warm white) approx. 3000K or nw (neutral white) approx. 4000K • without silicone compound • incl. supply cable 2,5m 	217 g
	610 592 103 74	Set of 1 LED Eco-Tape (600) 3000mm 25,9W xw + transformer 30W NEW		430 g
	610 592 104 14	Set of 1 LED Eco-Tape (1200) 1000mm 19,1W xw + transformer 30W NEW		385 g
	610 592 104 64	Set of 1 LED Eco-Tape (1200) 3000mm 53,6W xw + transformer 60W NEW		490 g
	610 592 103 22	Set of 1 LED Eco-Tape (600) 1000mm 9,0W ww + transformer 15W NEW		217 g
	610 592 103 72	Set of 1 LED Eco-Tape (600) 3000mm 25,9W ww + transformer 30W NEW		430 g
	610 592 104 12	Set of 1 LED Eco-Tape (1200) 1000mm 19,1W ww + transformer 30W NEW		385 g
	610 592 104 62	Set of 1 LED Eco-Tape (1200) 3000mm 53,6W ww + transformer 60W NEW		490 g
	610 592 103 23	Set of 1 LED Eco-Tape (600) 1000mm 9,0W nw + transformer 15W NEW		217 g
	610 592 103 73	Set of 1 LED Eco-Tape (600) 3000mm 25,9W nw + transformer 30W NEW		430 g
	610 592 104 13	Set of 1 LED Eco-Tape (1200) 1000mm 19,1W nw + transformer 30W NEW		385 g
	610 592 104 63	Set of 1 LED Eco-Tape (1200) 3000mm 53,6W nw + transformer 60W NEW		490 g
Accessories	profiles from page 9 / LED transformers 24V page 30 / dim-controller page 34-35			

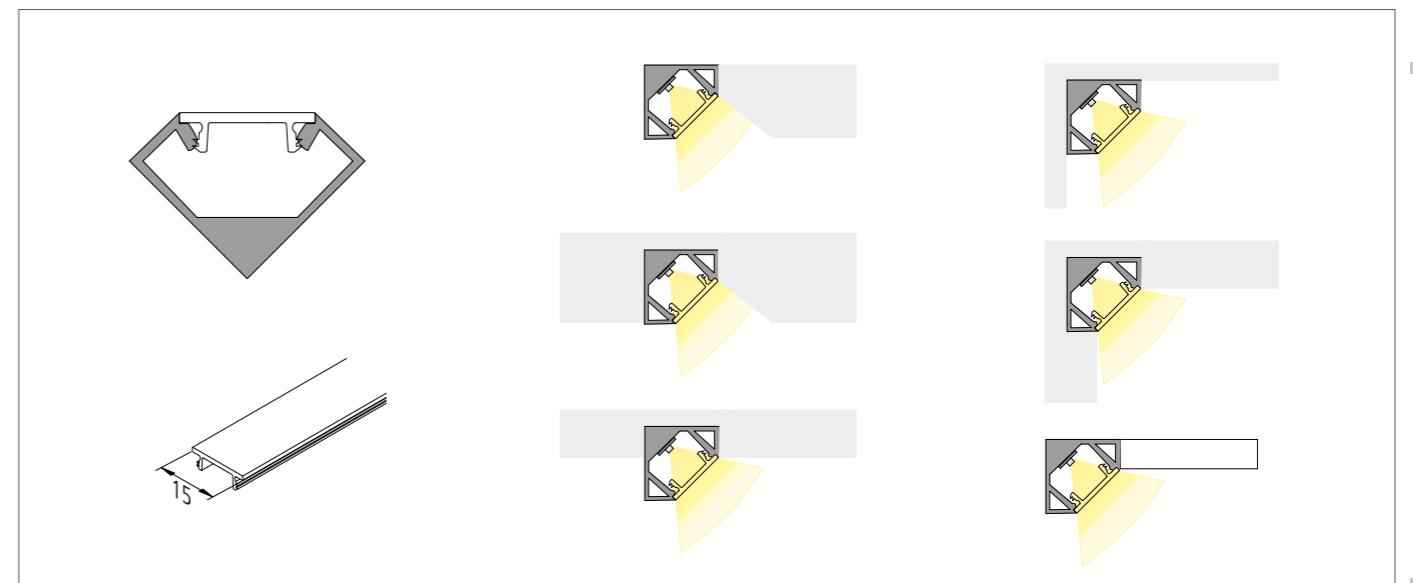
CORNER PROFILE

Corner profile for LED strips



- for screwing, gluing or with magnetic tape. Also suitable for gluing on a glass bottom

Illustration	Article No.	Description	Features	Weight approx.
	615 000 313 01	LED Corner Profile 10mm 45° 1m	<ul style="list-style-type: none"> • Material aluminium • incl. double-sided adhesive foil 	45 g
	615 000 320 03	LED Corner Profile 19mm 1m	<ul style="list-style-type: none"> • black • for cover profile 15mm 	240 g
	615 000 320 63	LED Corner Profile 19mm 2,95m set of 5		3600 g
	615 000 310 33	Front cover LED Corner Profile 19mm	<ul style="list-style-type: none"> • set of 2 with fastening screws 	3 g
	615 000 320 01	LED Corner Profile 19mm 1m	<ul style="list-style-type: none"> • anodized aluminium • for cover profile 15mm 	240 g
	615 000 320 61	LED Corner Profile 19mm 2,95m set of 5		3600 g
	615 000 310 31	Front cover LED Corner Profile 19mm	<ul style="list-style-type: none"> • set of 2 with fastening screws 	3 g

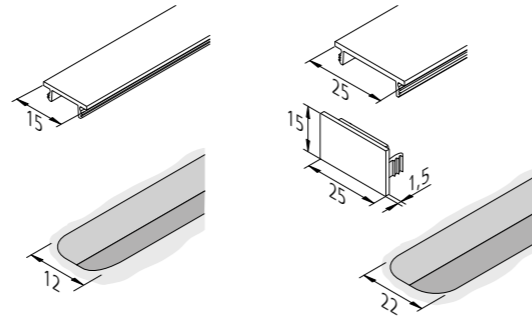


COVER PROFILE

Covering for milling groove or for aluminium profiles



COVER PROFILE



- to cover the 12 or 22mm milling groove or in combination with various aluminium profiles, 6m roll for cutting to length

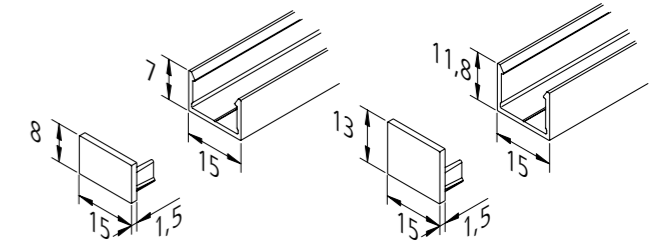
Illustration	Article No.	Description	Features	Weight approx.
	203 012 807 10	LED Cover Profile 15mm 1m	<ul style="list-style-type: none"> material PC slightly black matt 	73 g
	203 012 807 60	LED Cover Profile 15mm 6m roll		440 g
	203 012 806 10	LED Cover Profile 15mm 1m	<ul style="list-style-type: none"> material PC slightly matt 	30 g
	203 012 806 54	LED Cover Profile 15mm 6m roll		165 g
	203 012 805 10	LED Cover Profile 15mm 1m	<ul style="list-style-type: none"> material PC highly matt for a uniform deco light strip without visible LEDs with Tape 600 	30 g
	203 012 805 54	LED Cover Profile 15mm 6m roll		165 g
	203 012 811 10	LED Cover Profile 25mm 1m	<ul style="list-style-type: none"> material PC clear for maximum brightness 	47 g
	203 012 811 54	LED Cover Profile 25mm 6m roll		255 g
	203 012 801 10	LED Cover Profile 25mm 1m	<ul style="list-style-type: none"> material PC slightly matt 	47 g
	203 012 801 54	LED Cover Profile 25mm 6m roll	<ul style="list-style-type: none"> material PC slightly matt 	255 g
	203 012 803 10	LED Cover Profile 25mm 1m	<ul style="list-style-type: none"> material PC highly matt for a uniform deco light strip without visible LEDs with Tape 600 	47 g
	203 012 803 54	LED Cover Profile 25mm 6m roll		255 g
	213 041 080 08	Front cover LED Cover Profile 25mm	<ul style="list-style-type: none"> stainless steel look 	2 g
	615 000 311 01	Double-sided adhesive foil 5m roll	<ul style="list-style-type: none"> 5000 x 10 x 0,1mm (LxBxH) for adhering the Line and Tape to milled wood-based materials 	20 g

MOUNTING PROFILE

Profile for LED strips



MOUNTING PROFILE



- for screwing, gluing or with magnetic tape

Illustration	Article No.	Description	Features	Weight approx.
	615 000 321 13	LED Mounting Profile 15/8mm 1m	<ul style="list-style-type: none"> black for cover profile 15mm 	160 g
	615 000 321 63	LED Mounting Profile 15/8mm 2,95m set of 5		1500 g
	615 000 310 43	Front cover LED Mounting Profile 15/8mm	<ul style="list-style-type: none"> set of 2 with screws 	2 g
	615 000 321 10	LED Mounting Profile 15/8mm 1m	<ul style="list-style-type: none"> anodized aluminium for cover profile 15mm 	100 g
615 000 321 61	LED Mounting Profile 15/8mm 2,95m set of 5		1500 g	
	615 000 310 41	Front cover LED Mounting Profile 15/8mm	<ul style="list-style-type: none"> set of 2 with screws 	2 g
	615 000 316 13	LED Mounting Profile 15/13mm 1m	<ul style="list-style-type: none"> black for cover profile 15mm 	190 g
615 000 316 63	LED Mounting Profile 15/13mm 2,95m set of 5		2850 g	
	615 000 310 23	Front cover LED Mounting Profile 15/13mm	<ul style="list-style-type: none"> set of 2 with fastening screws 	1 g
	615 000 316 10	LED Mounting Profile 15/13mm 1m	<ul style="list-style-type: none"> anodized aluminium for cover profile 15mm 	190 g
615 000 316 61	LED Mounting Profile 15/13mm 2,95m set of 5		2850 g	
	615 000 310 21	Front cover LED Mounting Profile 15/13mm	<ul style="list-style-type: none"> set of 2 with fastening screws 	3 g
	202 040 117 01	Mounting clip LED Mounting Profile 15/13mm transparent NEW	<ul style="list-style-type: none"> set of 2 with screws 	1 g
	615 000 305 01	Magnetic tape for Mounting Profile 5m roll	<ul style="list-style-type: none"> 5000 x 10 x 1,5mm e.g. for fitting to steel shelves 	275 g

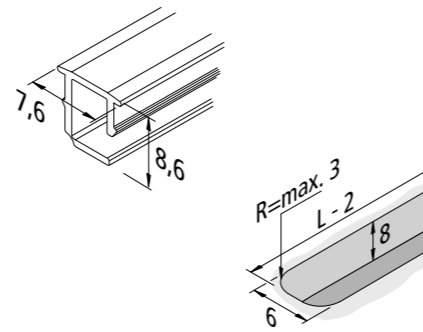
MILLED PROFILE 8 MM

Plastic profile for LED strips

NEW



MILLED PROFILE 8MM



- for 4mm Tapes; can be planned in the configurator to the desired length and with 5mm cuts (as a front cover)

Illustration	Article No.	Description	Features	Weight approx.
	615 000 338 10	LED Milled Profile 8/8mm 1m	• material PC highly matt	39 g
	615 000 338 61	LED Milled Profile 8/8mm 2,95m set of 5		570 g

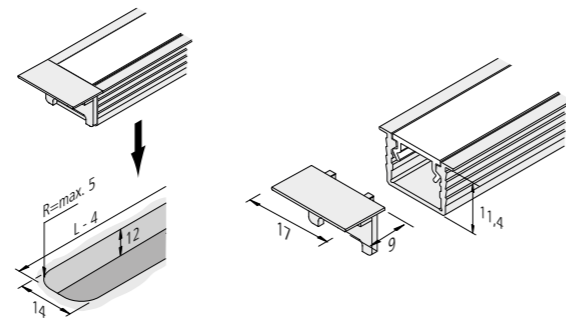
NEW

MILLED PROFILE 17 MM

Symmetric profile for LED strips



MILLED PROFILE 17MM



- milled profile for symmetrical illumination

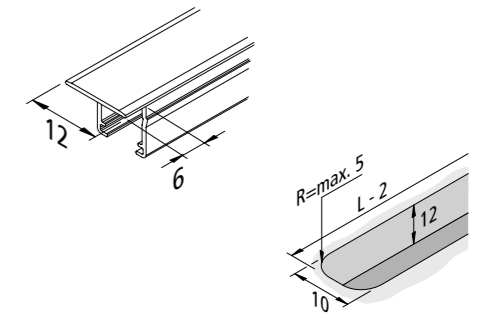
Illustration	Article No.	Description	Features	Weight approx.
	203 013 710 01	LED Cover Profile 11mm 1m	• material PC slightly black matt	20 g
	203 013 710 02	LED Cover Profile 11mm 6m roll		120 g
	615 000 343 01	LED Milled Profile 17/12mm 1m	• anodized aluminium • for cover profile 15mm	119 g
	615 000 343 61	LED Milled Profile 17/12mm 2,95m set of 5		1750 g
	213 041 250 11	Front cover LED Cover Profile 25mm	• set of 2	1 g

MILLED PROFILE 12 MM

Plastic profile for LED strips



MILLED PROFILE 12MM



- for 8mm Tapes; can be planned in the configurator to the desired length and with 6mm cuts (as a front cover)

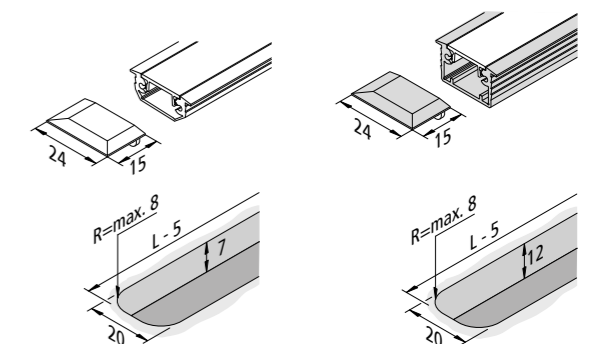
Illustration	Article No.	Description	Features	Weight approx.
	615 000 335 10	LED Milled Profile 12/12mm 1m	• material PC highly matt • for a uniform deco light strip without visible LEDs with Tape 600	39 g
	615 000 335 61	LED Milled Profile 12/12mm 2,95m set of 5		570 g

MILLED PROFILE 24 MM

Symmetric profiles for LED strips



MILLED PROFILE 24MM



- milled profile for symmetrical illumination

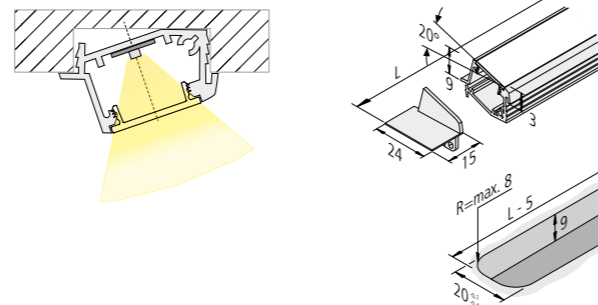
Illustration	Article No.	Description	Features	Weight approx.
	615 000 334 13	LED Milled Profile 24/7mm 1m	• black	190 g
	615 000 334 63	LED Milled Profile 24/7mm 2,95m set of 5	• for cover profile 15mm	2850 g
	615 000 314 13	LED Milled Profile 24/12mm 1m		190 g
	615 000 314 63	LED Milled Profile 24/12mm 2,95m set of 5		2850 g
	615 000 310 13	Front cover LED Milled Profile 24mm	• set of 2 with fastening screws	1 g
	615 000 334 10	LED Milled Profile 24/7mm 1m	• anodized aluminium	190 g
	615 000 334 61	LED Milled Profile 24/7mm 2,95m set of 5	• for cover profile 15mm	2850 g
	615 000 314 10	LED Milled Profile 24/12mm 1m		190 g
	615 000 314 61	LED Milled Profile 24/12mm 2,95m set of 5		2850 g
	615 000 310 11	Front cover LED Milled Profile 24mm	• set of 2 with fastening screws	1 g
	615 000 314 18	LED Milled Profile 24/12mm 1m	• stainless steel look	190 g
	615 000 314 68	LED Milled Profile 24/12mm 2,95m set of 5	• for cover profile 15mm	2850 g
	615 000 310 18	Front cover LED Milled Profile 24mm	• set of 2 with screws	1 g

MILLED PROFILE A 24 MM + I 24 MM

Asymmetrical aluminium profile for LED strips



MILLED PROFILE A 24MM



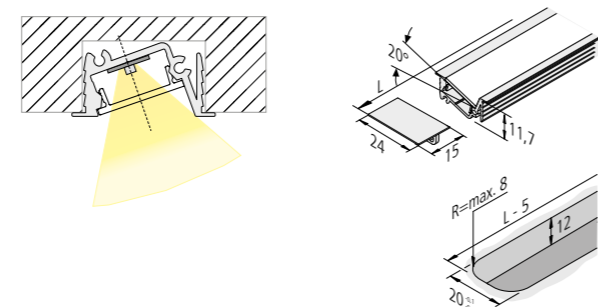
- milled profile for asymmetrical illumination

Illustration	Article No.	Description	Features	Weight approx.
	615 000 324 13	LED Milled Profile A 24mm 1m	<ul style="list-style-type: none"> • black • for cover profile 15mm • for reverse asymmetrical illumination 	190 g
	615 000 324 63	LED Milled Profile A 24mm 2,95m set of 5		2850 g
	615 000 310 53	Front cover LED Milled Profile A 24mm	<ul style="list-style-type: none"> • set of 2 with fastening screws 	1 g
	615 000 324 10	LED Milled Profile A 24mm 1m	<ul style="list-style-type: none"> • anodized aluminium • for cover profile 15mm • for reverse asymmetrical illumination 	190 g
	615 000 324 61	LED Milled Profile A 24mm 2,95m set of 5		2850 g
	615 000 310 51	Front cover LED Milled Profile A 24mm	<ul style="list-style-type: none"> • set of 2 with fastening screws 	1 g

Reverse asymmetrical aluminium profile for LED strips



MILLED PROFILE I 24MM



- milled profile for reverse asymmetrical illumination

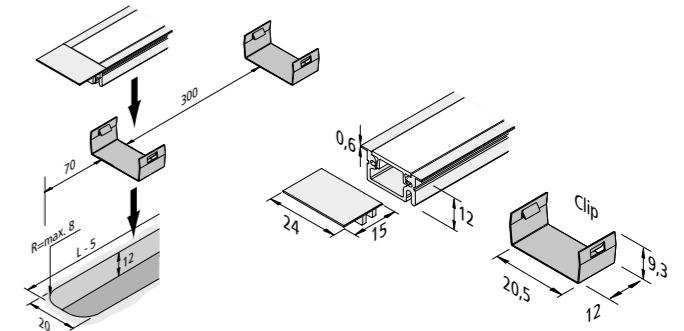
Illustration	Article No.	Description	Features	Weight approx.
	615 000 332 13	LED Milled Profile I 24mm 1m	<ul style="list-style-type: none"> • black • for cover profile 15mm • for reverse asymmetrical illumination 	190 g
	615 000 332 63	LED Milled Profile I 24mm 2,95m set of 5		2850 g
	615 000 310 63	Front cover LED Milled Profile I 24mm	<ul style="list-style-type: none"> • set of 2 with screws 	1 g
	615 000 332 10	LED Milled Profile I 24mm 1m	<ul style="list-style-type: none"> • anodized aluminium • for cover profile 15mm • for reverse asymmetrical illumination 	190 g
	615 000 332 61	LED Milled Profile I 24mm 2,95m set of 5		2850 g
	615 000 310 61	Front cover LED Milled Profile I 24mm	<ul style="list-style-type: none"> • set of 2 with screws 	1 g
	615 000 332 18	LED Milled Profile I 24mm 1m	<ul style="list-style-type: none"> • stainless steel look • for cover profile 15mm • for reverse asymmetrical illumination 	190 g
	615 000 332 68	LED Milled Profile I 24mm 2,95m set of 5		2850 g
	615 000 310 68	Front cover LED Milled Profile I 24mm	<ul style="list-style-type: none"> • set of 2 with screws 	1 g

NEW MILLED PROFILE C 24MM + IC 24MM

Symmetrical profile with clip for LED strips



MILLED PROFILE C 24 MM



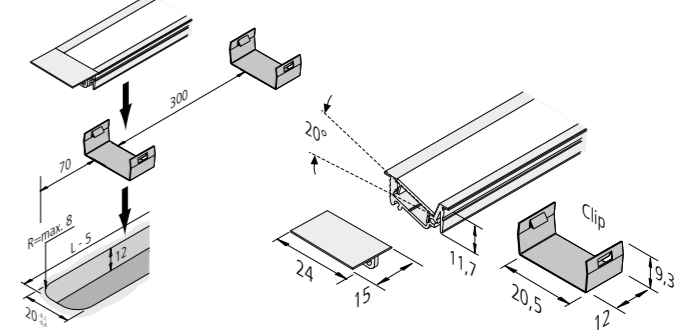
- milled profile for symmetrical illumination
- minimal installation height of 0.6 mm, therefore also ideal for vertical installation in cabinets

Illustration	Article No.	Description	Features	Weight approx.
	615 000 341 13	LED milled profile C 24/12mm 1m	<ul style="list-style-type: none"> • black • for cover profile 15mm 	158 g
	615 000 341 63	LED milled profile C 24/12mm 2,95m set of 5		2330 g
	615 000 340 23	Front cover LED milled profile C 24/12mm	<ul style="list-style-type: none"> • set of 2 with screws 	2 g
	615 000 341 18	LED milled profile C 24/12mm 1m	<ul style="list-style-type: none"> • anodized aluminium • for cover profile 15mm 	158 g
	615 000 341 68	LED milled profile C 24/12mm 2,95m set of 5		2330 g
	615 000 340 28	Front cover LED milled profile C 24/12mm	<ul style="list-style-type: none"> • set of 2 with screws 	2 g
	202 040 120 01	Mounting clip milled profile C 24mm	<ul style="list-style-type: none"> • recommended every 30cm 	1 g

Clipable, asymmetrical profile for LED tapes



MILLED PROFILE IC 24 MM



- milled profile for reverse asymmetrical illumination
- minimal installation height of 0.6 mm, therefore also ideal for vertical installation in cabinets

Illustration	Article No.	Description	Features	Weight approx.
	615 000 342 13	LED Milled Profile IC 24mm 1m	<ul style="list-style-type: none"> • black • for cover profile 15mm • for reverse asymmetrical illumination 	190 g
	615 000 342 63	LED Milled Profile IC 24mm 2,95m set of 5		2850 g
	615 000 340 33	Front cover LED Milled Profile IC 24mm	<ul style="list-style-type: none"> • set of 2 with screws 	1 g
	615 000 342 18	LED Milled Profile IC 24mm 1m	<ul style="list-style-type: none"> • stainless steel look • for cover profile 15mm • for reverse asymmetrical illumination 	190 g
	615 000 342 68	LED Milled Profile IC 24mm 2,95m set of 5		2850 g
	615 000 340 38	Front cover LED Milled Profile IC 24mm	<ul style="list-style-type: none"> • set of 2 with screws 	1 g
	202 040 120 01	Mounting clip milled profile C 24mm	<ul style="list-style-type: none"> • recommended every 30cm 	1 g



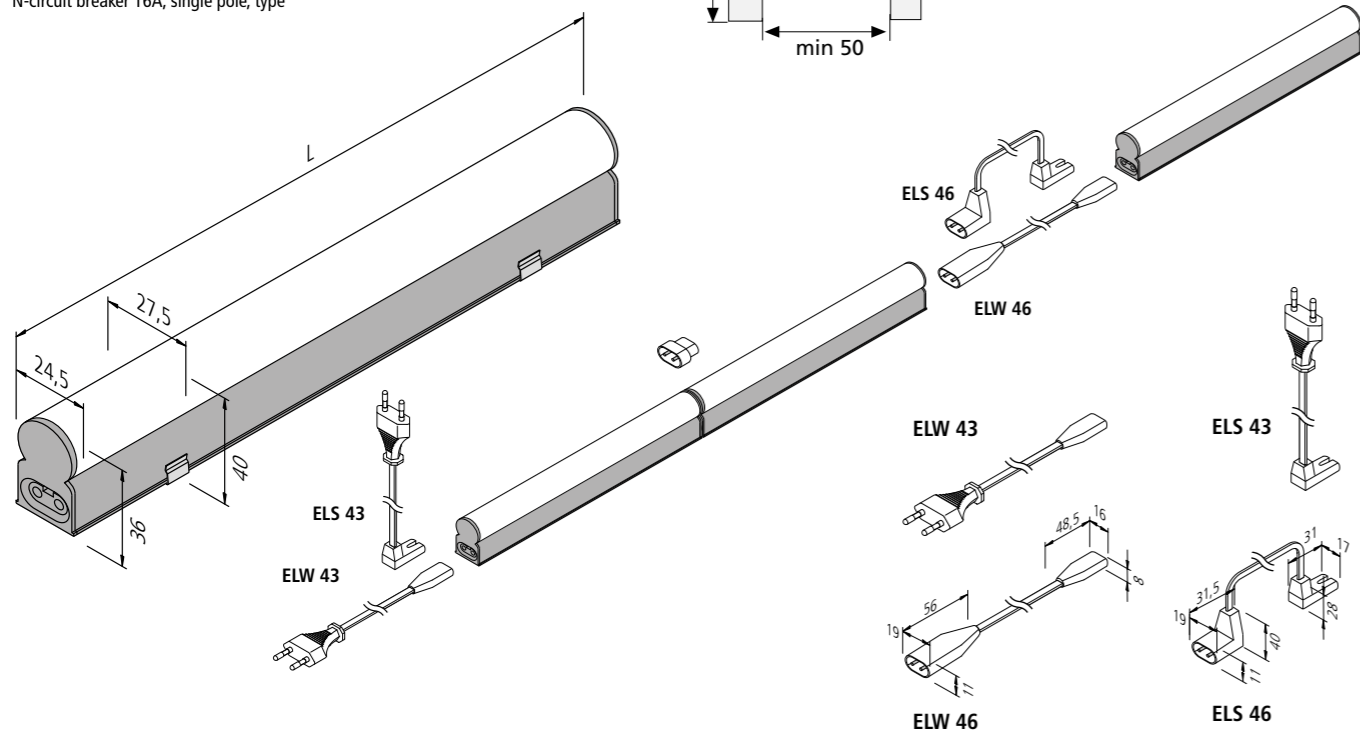
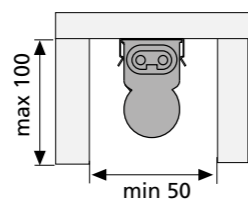
Cornelsen

Photo: Cornelsen



L:	300 mm	600 mm	900 mm	1150 mm	1420 mm
Wattage:	4,0 W	7,0 W	11,0 W	14,0 W	18,0 W
No.*:	50	28	18	14	11

* total lamp output in one strip light maximum 200 W, maximum 3 strip lights on one N-circuit breaker 16A, single pole, type

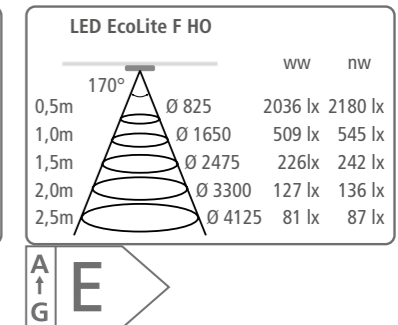
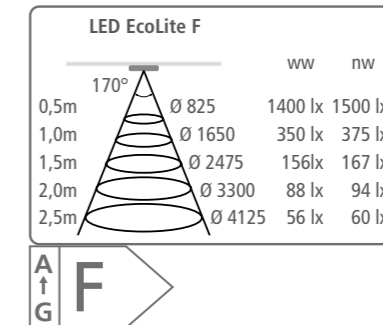


ECOLITE F / HO

LED linear luminaire for 230 V



Connection: 220 - 240V / 50 - 60Hz
Life: L70/B10 ≥ 50.000 hours
Energy efficiency: LED 118/135 lm/W;
 luminaire: **1100/1600 lm/m**
 (90/110 lm/W)
Colour rendering: Ra/CRI > 80



Special features:

- rigid connector for minimum spacing between luminaires

Illustration	Article No.	Description	Features	Weight approx.	
	202 029 801 02	LED EcoLite F 300mm 4W ww	• colour appearance ww (warm white) approx. 3000K • incl. mounting clip • incl. coupling	71 g	
	202 029 802 02	LED EcoLite F 600mm 7W ww		114 g	
	202 029 803 02	LED EcoLite F 900mm 11W ww		150 g	
	202 029 804 02	LED EcoLite F 1150mm 14W ww		190 g	
	202 029 805 02	LED EcoLite F 1440mm 18W ww		229 g	
	202 029 801 03	LED EcoLite F 300mm 4W nw	• colour appearance nw (neutral white) approx. 4000K • incl. mounting clip • incl. coupling	71 g	
		202 029 802 03		LED EcoLite F 600mm 7W nw	114 g
		202 029 803 03		LED EcoLite F 900mm 11W nw	150 g
		202 029 804 03		LED EcoLite F 1150mm 14W nw	190 g
		202 029 805 03		LED EcoLite F 1440mm 18W nw	229 g
	202 032 601 02	LED EcoLite F HO 300mm 4,5W ww	NEW • colour appearance ww (warm white) approx. 3000K • incl. mounting clip • incl. coupling	71 g	
		202 032 602 02		LED EcoLite F HO 600mm 8,5W ww	114 g
		202 032 603 02		LED EcoLite F HO 900mm 12,5W ww	150 g
		202 032 604 02		LED EcoLite F HO 1150mm 16,5W ww	190 g
		202 032 605 02		LED EcoLite F HO 1440mm 21,5W ww	229 g
202 032 601 03	LED EcoLite F HO 300mm 4,5W nw	NEW • colour appearance nw (neutral white) approx. 4000K • incl. mounting clip • incl. coupling	71 g		
	202 032 602 03		LED EcoLite F HO 600mm 8,5W nw	114 g	
	202 032 603 03		LED EcoLite F HO 900mm 12,5W nw	150 g	
	202 032 604 03		LED EcoLite F HO 1150mm 16,5W nw	190 g	
	202 032 605 03		LED EcoLite F HO 1440mm 21,5W nw	229 g	
	215 480 318 01	ELW 43/1800 mains cable with Euro plug 1,8m	• horizontal luminaire connection	88 g	
	215 480 601 01	ELW 46/ 150 connecting cable 0,15m	• horizontal luminaire connection	20 g	
	215 480 603 01	ELW 46/ 300 connecting cable 0,3m		23 g	
	215 480 606 01	ELW 46/ 600 connecting cable 0,6m		35 g	
	215 480 612 01	ELW 46/1200 connecting cable 1,2m		57 g	
	215 480 618 01	ELW 46/1800 connecting cable 1,8m		80 g	
	215 481 318 01	ELS 43/1800 mains cable with Euro plug 1,8m	• vertical luminaire connection NEW	88 g	
	215 481 601 01	ELS 46/ 150 connecting cable 0,15m	• vertical luminaire connection NEW	20 g	
	215 481 603 01	ELS 46/ 300 connecting cable 0,3m		23 g	
	215 481 606 01	ELS 46/ 600 connecting cable 0,6m		35 g	
	215 481 612 01	ELS 46/1200 connecting cable 1,2m		57 g	
	215 481 618 01	ELS 46/1800 connecting cable 1,8m		80 g	
	202 040 108 50	Mounting clip EcoLite F with magnet, set of 2	NEW	17 g	

Linear luminaires

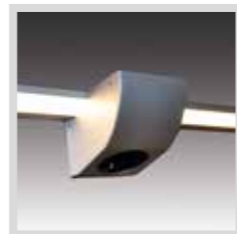
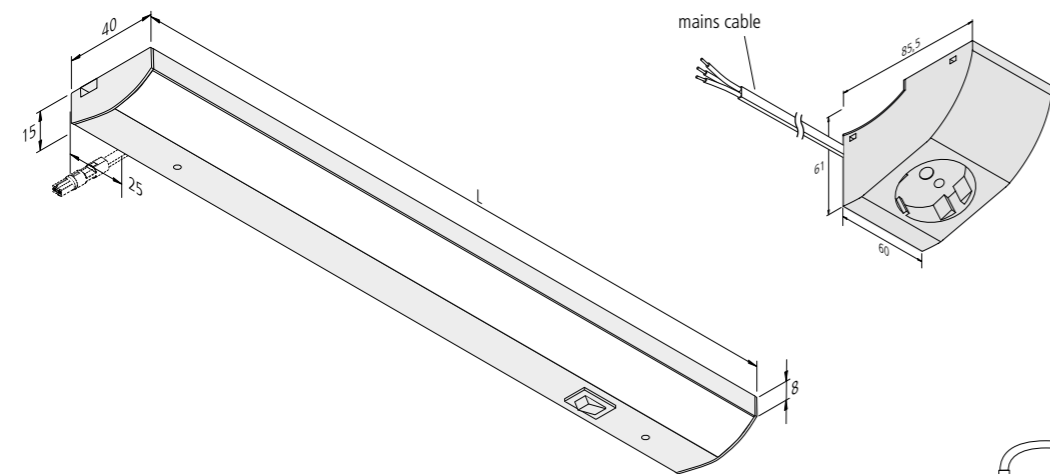
230V Linear luminaires

Recessed and surface mounted luminaires

Accessories

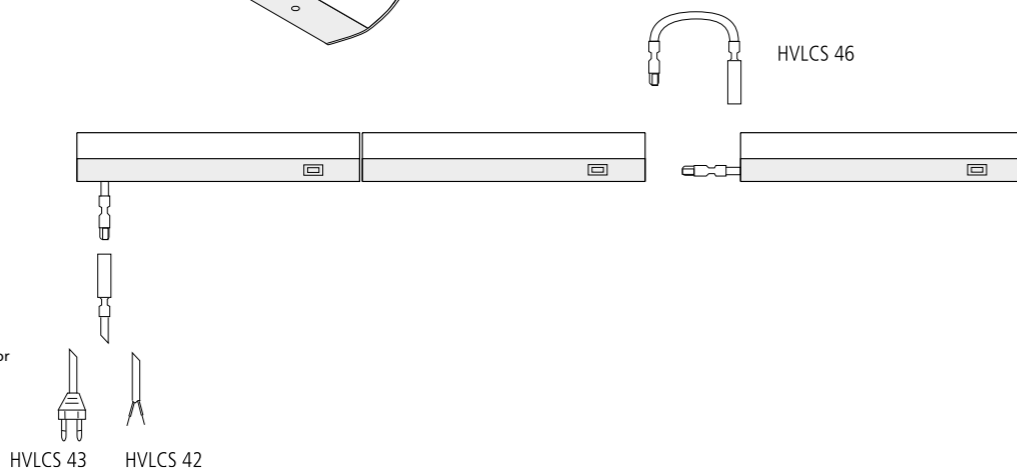


Photo: Brigitte Küchen



wattage	L	Number *
5 W	300	60
8 W	450	36
10 W	600	30
15 W	900	20
18 W	1200	16

* Maximum number of luminaires per strip light (maximum 3 strip lights, HVLC V 6-way distributor maximum 2,5A total) on one N-circuit breaker 16A, single pole, type B.



MODULITE F

Flat LED under cabinet luminaire for 230 V



Connection: 220 - 240V / 50 - 60Hz
Life: L70/B10 ≥ 60.000 hours
Energy efficiency: LED: 122 lm/W luminaire: **1583 lm/m** (95 lm/W)
Colour rendering: Ra/CRI > 90

LED ModuLite F		ww	nw
0,5m	∅ 610	2360 lx	2400 lx
1,0m	∅ 1220	590 lx	600 lx
1,5m	∅ 1830	262 lx	267 lx
2,0m	∅ 2440	148 lx	150 lx
2,5m	∅ 3050	94 lx	96 lx

Special features:

- integrated HVLC S plug and socket in casing for uninterrupted strip lights (max. 300 W)
- with integrated switch
- not dimmable

Illustration	Article No.	Description	Features	Weight approx.
	202 025 801 12	LED ModuLite F 450mm 8W ww	• colour appearance ww (warm white) approx. 3000K • incl. switch // white • HVLC S plug and HVLC S socket integrated • please order mains cable separately	195 g
	202 025 802 12	LED ModuLite F 600mm 10W ww		260 g
	202 025 803 12	LED ModuLite F 900mm 15W ww		390 g
	202 025 804 12	LED ModuLite F 1200mm 18W ww		520 g
	202 025 801 13	LED ModuLite F 450mm 8W nw	• colour appearance nw (neutral white) approx. 4000K • incl. switch // white • HVLC S plug and HVLC S socket integrated • please order mains cable separately	195 g
	202 025 802 13	LED ModuLite F 600mm 10W nw		260 g
	202 025 803 13	LED ModuLite F 900mm 15W nw		390 g
	202 025 804 13	LED ModuLite F 1200mm 18W nw		520 g
	202 025 801 32	LED ModuLite F 450mm 8W ww	• colour appearance ww (warm white) approx. 3000K • incl. switch // black • HVLC S plug and HVLC S socket integrated • please order mains cable separately	195 g
	202 025 802 32	LED ModuLite F 600mm 10W ww		260 g
	202 025 803 32	LED ModuLite F 900mm 15W ww		390 g
	202 025 804 32	LED ModuLite F 1200mm 18W ww		520 g
	202 025 801 33	LED ModuLite F 450mm 8W nw	• colour appearance nw (neutral white) approx. 4000K • incl. switch // black • HVLC S plug and HVLC S socket integrated • please order mains cable separately	195 g
	202 025 802 33	LED ModuLite F 600mm 10W nw		260 g
	202 025 803 33	LED ModuLite F 900mm 15W nw		390 g
	202 025 804 33	LED ModuLite F 1200mm 18W nw		520 g
	202 025 800 02	LED ModuLite F 300mm 5W ww	• colour appearance ww (warm white) approx. 3000K • incl. switch // anodized aluminium • HVLC S plug and HVLC S socket integrated • please order mains cable separately	140 g
	202 025 801 02	LED ModuLite F 450mm 8W ww		195 g
	202 025 802 02	LED ModuLite F 600mm 10W ww		260 g
	202 025 803 02	LED ModuLite F 900mm 15W ww		390 g
	202 025 804 02	LED ModuLite F 1200mm 18W ww	520 g	
	202 025 800 03	LED ModuLite F 300mm 5W nw	• colour appearance nw (neutral white) approx. 4000K • incl. switch // anodized aluminium • HVLC S plug and HVLC S socket integrated • please order mains cable separately • version 6500K on request	140 g
	202 025 801 03	LED ModuLite F 450mm 8W nw		195 g
	202 025 802 03	LED ModuLite F 600mm 10W nw		260 g
202 025 803 03	LED ModuLite F 900mm 15W nw	390 g		
202 025 804 03	LED ModuLite F 1200mm 18W nw	520 g		
	615 000 524 07	Socket ModuLite anodized aluminium	• mains cable 1,8m with ferrules and mountable plug • can be mounted at any position above the ModuLite	310 g
	215 440 220 02	HVLC 42/2000 mains cable with AE 2m	• with ferrules	70 g
	215 440 320 01	HVLC 43/2000 mains cable with Euro 2m	• with Euro plug	90 g
	215 440 605 01	HVLC 46/ 500 connecting cable 0,5m	• for corner mounting or when installing the luminaires at a distance	30 g
	215 440 610 01	HVLC 46/1000 connecting cable 1m		45 g
	215 440 615 01	HVLC 46/1500 connecting cable 1,5m		60 g
	215 440 620 01	HVLC 46/2000 connecting cable 2m		75 g

WALL

Wall recessed luminaire for surface pattress box and flush-mounted socket



Connection: 220 - 240V / 50 - 60Hz
Life: L70/B10 ≥ 60.000 hours
Energy efficiency: LED: 105 lm/W; luminaire: **50 / 90 lm** (55 / 50 lm/W)
Colour rendering: Ra/CRI > 84

Special features:

- quick and easy installation due to standard surface pattress box and flush-mounted socket
- direct connection to 230 V
- no visible luminous spots

Suitable for

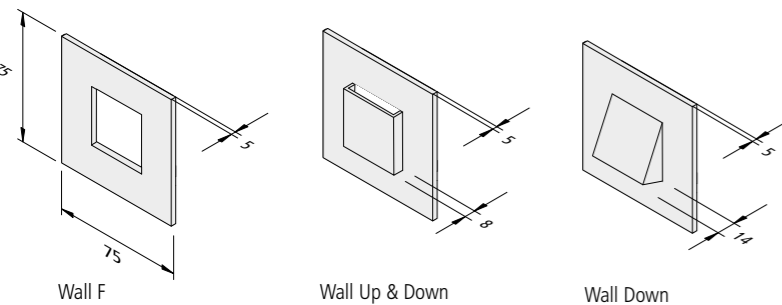
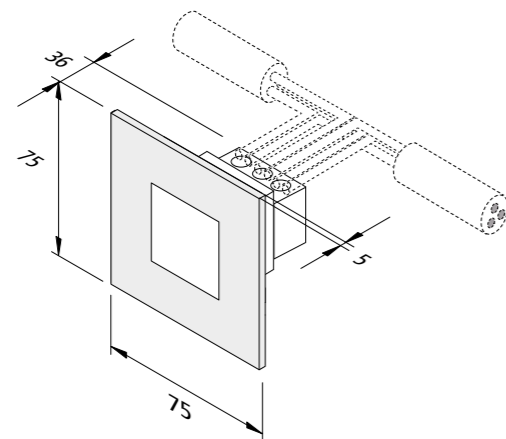


Illustration	Article No.	Description	Features	Weight approx.
	202 027 202 01	LED Wall F 0,9W white	<ul style="list-style-type: none"> • colour appearance ww (warm white) approx. 3000K • incl. 3-pin terminal for 230V • stainless steel or white RAL 9016 	65 g
	202 027 202 08	LED Wall F 0,9W stainless steel		65 g
	202 027 201 01	LED Wall F 1,8W white		65 g
	202 027 201 08	LED Wall F 1,8W stainless steel		65 g
	202 027 211 01	LED Wall Up & Down 1,8W white		65 g
	202 027 211 08	LED Wall Up & Down 1,8W stainless steel		65 g
	202 027 221 01	LED Wall Down 1,8W white		65 g
	202 027 221 08	LED Wall Down 1,8W stainless steel		65 g

AR 35 / AR 45

Flat recessed LED luminaire for the 35 / 45 cut-out



Connection: LED transformer DC 24 V
Life: L70/B10 ≥ 40.000 hours
Energy efficiency: LED: 140 lm/W; luminaire: **164 / 222 lm** (66 / 74 lm/W)
Colour rendering: Ra/CRI > 90

Special features:

- metal casing
- genuine glass cover
- with mounting spring also ideal for the use in plasterboard ceilings

AR 35-LED			AR 45-LED		
	ww / nw			ww / nw	
0,5m	Ø 620	304 lx	0,5m	Ø 620	404 lx
1,0m	Ø 1240	76 lx	1,0m	Ø 1240	101 lx
1,5m	Ø 1860	34 lx	1,5m	Ø 1860	45 lx
2,0m	Ø 2480	19 lx	2,0m	Ø 2480	25 lx
2,5m	Ø 3100	12 lx	2,5m	Ø 3100	16 lx

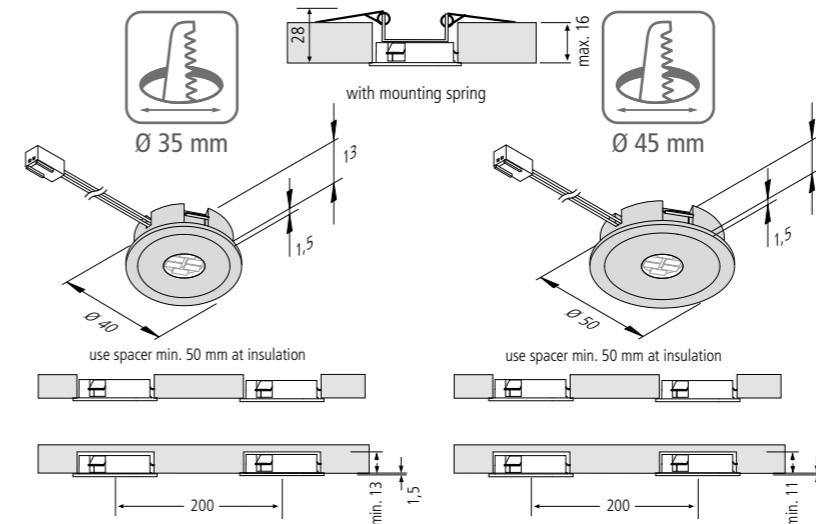


Illustration	Article No.	Description	Features	Weight approx.
	202 025 302 01	AR 35-LED 2,5W ww stainless steel	<ul style="list-style-type: none"> • colour appearance ww (warm white) appr. 3000K • supply cable 2,5m with LED 24-plug 	47 g
	202 025 303 01	AR 35-LED 2,5W nw stainless steel		47 g
	615 000 301 21	Mounting spring AR 35	<ul style="list-style-type: none"> • for mounting in lightweight design ceilings or aluminium profiles 	15 g
	202 024 602 01	AR 45-LED 3W ww stainless steel	<ul style="list-style-type: none"> • colour appearance ww (warm white) approx. 3000K • supply cable 2,5m with LED 24 plug 	55 g
	202 024 603 01	AR 45-LED 3W nw stainless steel		55 g
	615 000 301 11	Mounting spring AR 45	<ul style="list-style-type: none"> • for mounting in lightweight design ceilings or aluminium profiles 	20 g
	215 300 610 01	LED 24 connecting cable 1,0m	<ul style="list-style-type: none"> • up to max. 60W usable • further information + lengths on page [285911] 	9 g
	215 300 625 01	LED 24 connecting cable 2,5m		22 g
Accessories		LED transformers 24V from page 30 / dim-controller page 34-35		

¹⁾ blind hole mounting

SR 45

Flat, recessed swivel and tilt LED luminaire



Connection: LED transformer DC 350 mA
Life: L70/B10 ≥ 60.000 hours
Energy efficiency: LED: 120 lm/W; luminaire: **485 lm** (100 lm/W)
Colour rendering: Ra/CRI > 90

SR 45-LED		ww	nw
0,5m	∅ 300	3560 lx	3760 lx
1,0m	∅ 600	890 lx	940 lx
1,5m	∅ 900	396 lx	418 lx
2,0m	∅ 1200	223 lx	235 lx
2,5m	∅ 1500	142 lx	150 lx

Special features:

- swivels and tilts 20° to both sides
- metal casing

Panel thickness Y	Mounting depth X
up to 16	31
17 - 19	35
20 - 22	40
23 - 30	45

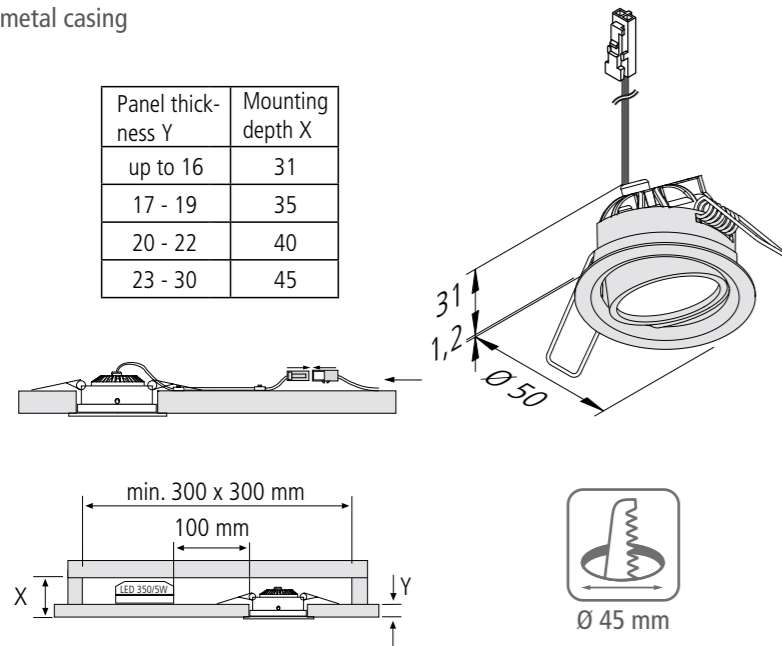


Illustration	Article No.	Description	Features	Weight approx.
	202 025 701 02	SR 45-LED 4,8W ww white	• colour appearance ww (warm white) approx. 3000K • supply cable 0,2m with LED 350 plug	50 g
	202 025 708 02	SR 45-LED 4,8W ww stainless steel		50 g
	202 025 701 03	SR 45-LED 4,8W nw white	• colour appearance nw (neutral white) approx. 4000K • supply cable 0,2m with LED 350 plug	50 g
	202 025 708 03	SR 45-LED 4,8W nw stainless steel		50 g
	215 250 610 01	LED 350 connecting cable 1m		12 g
	215 250 620 01	LED 350 connecting cable 2m		20 g
	206 040 027 01	Transformer LED 350/5W with one socket	• for 1 SR 45 • mains cable 0,3 m with ferrules (for easy ceiling suspension on 230 V)	50 g
		615 003 009 03	Transformer LED 350/9W 3-way distributor with Euro plug	• for 1 - 2 SR 45 • mains cable 2m with Euro plug
		615 003 009 43	Transformer LED 350/16W with 3-way distributor	• for 3 SR 45 • mains cable 2m with Euro plug
	615 003 009 45	Transformer LED 350/16W with 5-way distributor	• for 4 SR 45 • mains cable 2m with Euro plug	210 g
	615 003 009 28	Transformer LED 350/2x9W dim 2x 3-way distributor (1-10V)	• for 4 SR 45 • mains cable 2m with Euro plug • dim control cable 0.2m with Mini-AMP plug • dim current < 1mA	280 g
	506 180 401 01	Mounting dimmer switch (1-10V)	• dimmer cable 2m with Mini AMP-socket	95 g

¹⁾ version on request

NEW

AR 68

Flat recessed LED luminaire with low glare



Connection: LED transformer DC 24 V
Life: L70/B10 ≥ 60.000 hours
Energy efficiency: LED: 120 lm/W; luminaire: **300 lm** (75 lm/W)
Colour rendering: Ra/CRI > 93

AR 68-LED		xw	ww	nw
0,5m	∅ 425	1008 lx	1080 lx	1156 lx
1,0m	∅ 850	252 lx	270 lx	289 lx
1,5m	∅ 1275	112 lx	120 lx	128 lx
2,0m	∅ 1700	63 lx	68 lx	72 lx
2,5m	∅ 2125	40 lx	43 lx	46 lx

Special features:

- metal casing
- flush mounting in 16 mm panels
- glare-free with recessed reflector and clear diffuser

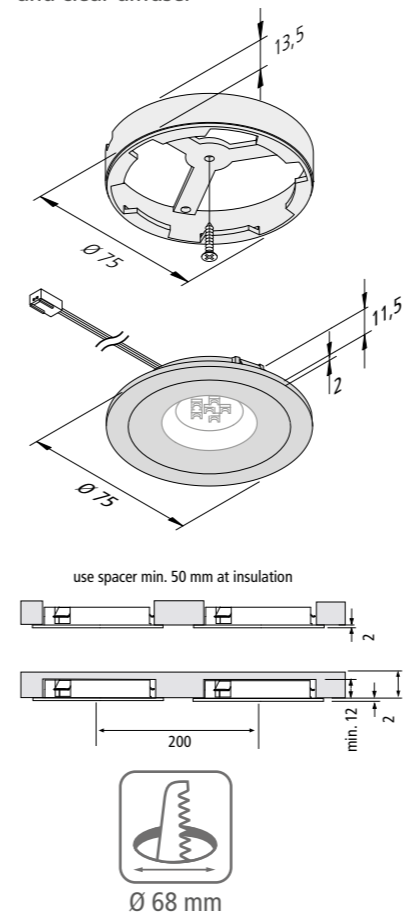


Illustration	Article No.	Description	Features	Weight approx.
	202 032 330 04	AR 68-LED 4W xw black	• colour appearance xw (extra warm white) approx. 2700K or ww (warm white) approx. 3000K or nw (neutral white) approx. 4000K • supply cable pluggable 2,5m with LED 24 plug	79 g
	202 032 380 04	AR 68-LED 4W xw stainless steel look		79 g
	202 032 330 02	AR 68-LED 4W ww black		79 g
	202 032 380 02	AR 68-LED 4W ww stainless steel look		79 g
	202 032 330 03	AR 68-LED 4W nw black		79 g
	202 032 380 03	AR 68-LED 4W nw stainless steel look		79 g
	205 010 219 03	Mounting ring AR 68 black	• incl. fastening screw	12 g
	205 010 219 08	Mounting ring AR 68 stainless steel		12 g
	615 000 301 01	Mounting spring ARF 68/78/Q	• for mounting in lightweight design ceilings or aluminium profiles	24 €
Accessories		LED transformers 24V from page 30 / dim-controller page 34-35		

¹⁾ blind hole mounting

DYNAMIC FAR / FAQ 58

Recessed LED luminaire with planar light and adjustable colour appearance

NEW



Connection: LED transformer DC 24 V
Life: L70/B10 ≥ 60.000 hours
Energy efficiency: LED: 120 lm/W; luminaire: **225 lm** (75 lm/W)
Colour rendering: Ra/CRI > 93

Dynamic FAR / FAQ 58-LED		xw	cw
0,5m	Ø 640	352 lx	376 lx
1,0m	Ø 1280	88 lx	94 lx
1,5m	Ø 1920	39 lx	42 lx
2,0m	Ø 2560	22 lx	24 lx
2,5m	Ø 3200	14 lx	15 lx

Special features:

- metal casing
- flush mounting in 16 mm panels
- no visible luminous spots
- colour appearance adjustable between approx. 2700K (xw) and 5000K (cw)

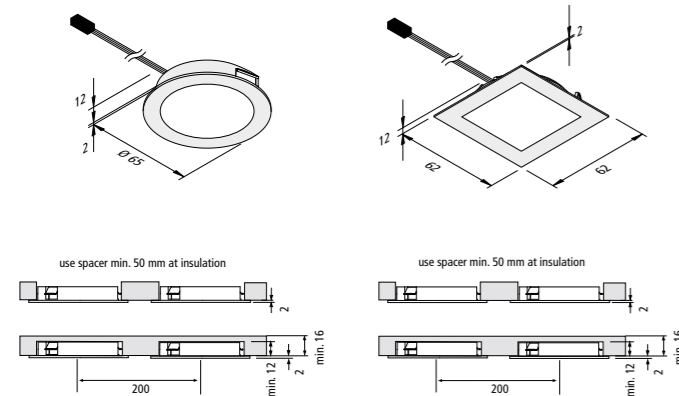


Illustration	Article No.	Description	Features	Weight approx.
	202 031 600 08	Dynamic FAR 58-LED 3W stainless steel look	<ul style="list-style-type: none"> • colour appearance adjustable between approx. 2700K and 5000K • supply cable pluggable 2,5m with Dynamic-plug 	84 g
	202 031 650 08	Dynamic FAQ 58-LED 3W stainless steel look	<ul style="list-style-type: none"> • colour appearance adjustable between approx. 2700K and 5000K • supply cable pluggable 2,5m with Dynamic-plug 	92 g
Accessories	Alexa, DALI and WiFi controller page 32-33			

¹⁾ blind hole mounting

DYNAMIC FAR / FAQ 68

Recessed LED luminaire with planar light and adjustable colour appearance

NEW



Connection: LED transformer DC 24 V
Life: L70/B10 ≥ 60.000 hours
Energy efficiency: LED: 120 lm/W; luminaire: **225 lm** (75 lm/W)
Colour rendering: Ra/CRI > 93

Dynamic FAR / FAQ 68-LED		xw	nw	cw
0,5m	Ø 620	336 lx	352 lx	364 lx
1,0m	Ø 1240	84 lx	88 lx	91 lx
1,5m	Ø 1860	37 lx	39 lx	40 lx
2,0m	Ø 2480	21 lx	22 lx	23 lx
2,5m	Ø 3100	13 lx	14 lx	15 lx

Special features:

- housing in metal construction
- flush mounting in 16 mm panels
- no visible luminous spots
- colour appearance adjustable between 2700K (xw) and 5000K (cw)

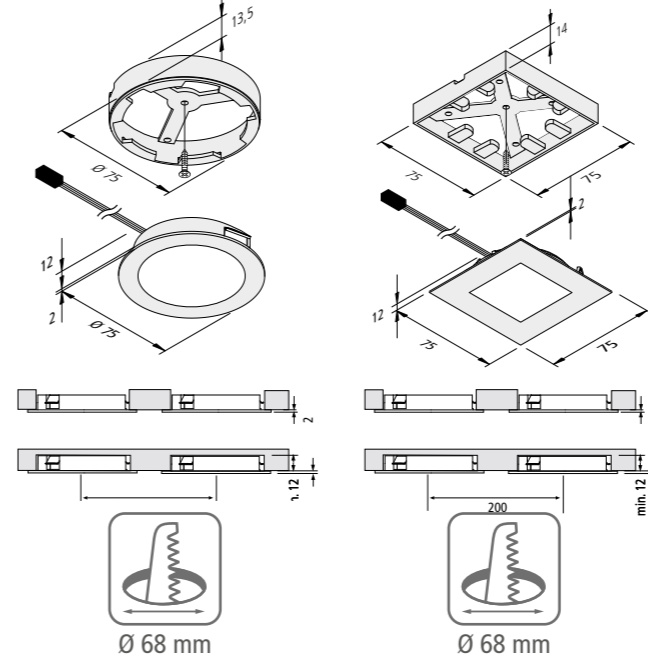


Illustration	Article No.	Description	Features	Weight approx.
	202 031 900 03	Dynamic FAR 68-LED 3W black	<ul style="list-style-type: none"> • colour appearance adjustable between approx. 2700K and 5000K • supply cable pluggable 2,5m with Dynamic-plug 	77 g
	202 031 900 08	Dynamic FAR 68-LED 3W stainless steel look		77 g
	205 010 219 03	Mounting ring AR 68 black	<ul style="list-style-type: none"> • incl. fastening screw 	12 g
	205 010 219 08	Mounting ring AR 68 stainless steel		12 g
	202 031 950 03	Dynamic FAQ 68-LED 3W black	<ul style="list-style-type: none"> • colour appearance adjustable between approx. 2700K and 5000K • supply cable pluggable 2,5m with Dynamic-plug 	97 g
	202 031 950 08	Dynamic FAQ 68-LED 3W stainless steel look		97 g
	205 010 220 03	Mounting ring AQ 68 black	<ul style="list-style-type: none"> • incl. fastening screw 	12 g
	205 010 220 08	Mounting ring AQ 68 stainless steel		12 g
Accessories	Alexa, DALI and WiFi controller page 32-33			

¹⁾ blind hole mounting



Photo: Schröder Küchen

NEW

FAR / FAQ 58

Flat recessed LED luminaire with homogeneous planar light



Connection: LED transformer DC 24 V
Life: L70/B10 ≥ 60.000 hours
Energy efficiency: LED: 120 lm/W; luminaire: **225 lm** (75 lm/W)
Colour rendering: Ra/CRI > 93

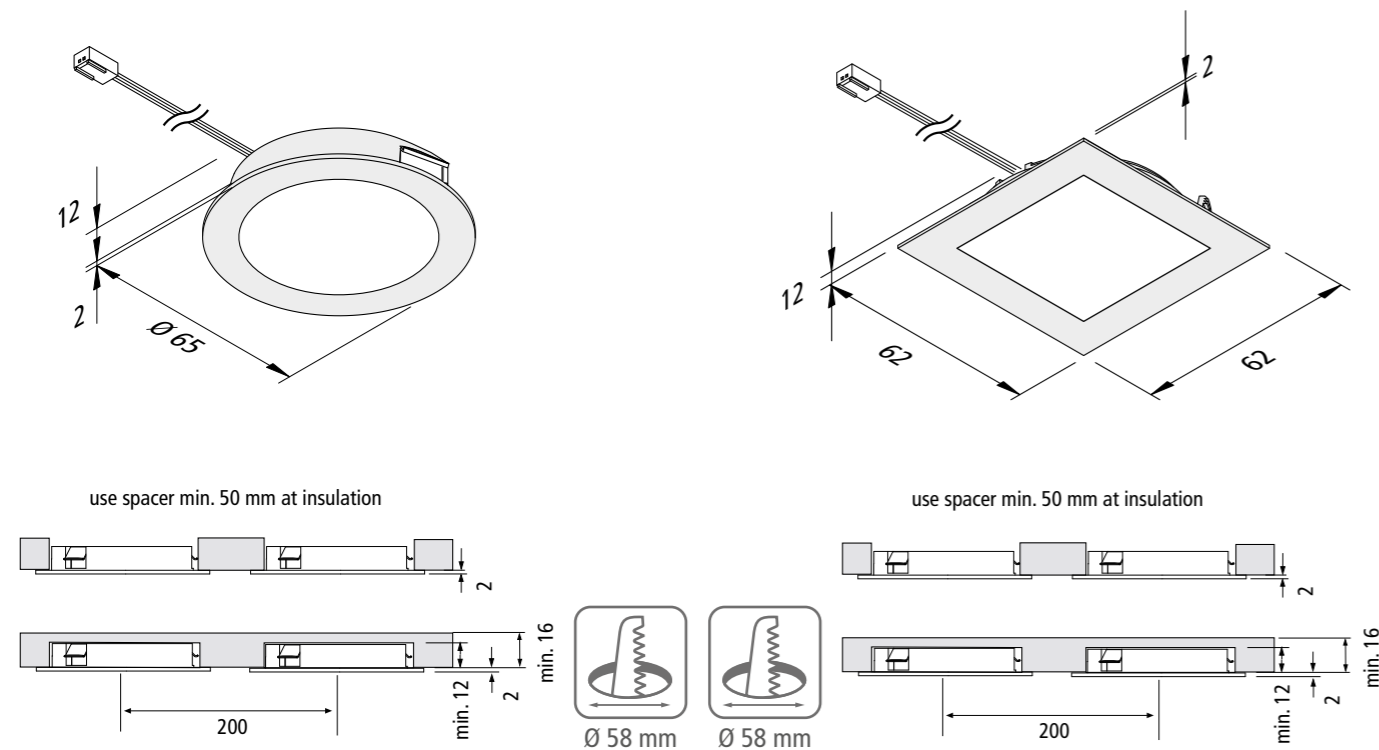
Special features:

- housing in metal construction
- flush mounting in 16 mm panels
- no visible luminous spots

FAR 58-LED		ww	nw
0,5m	Ø 640	352 lx	376 lx
1,0m	Ø 1280	88 lx	94 lx
1,5m	Ø 1920	39 lx	42 lx
2,0m	Ø 2560	22 lx	24 lx
2,5m	Ø 3200	14 lx	15 lx

FAQ 58-LED		ww	nw
0,5m	Ø 640	352 lx	376 lx
1,0m	Ø 1280	88 lx	94 lx
1,5m	Ø 1920	39 lx	42 lx
2,0m	Ø 2560	22 lx	24 lx
2,5m	Ø 3200	14 lx	15 lx

Illustration	Article No.	Description	Features	Weight approx.
	202 031 480 02	FAR 58-LED 3W ww stainless steel look	<ul style="list-style-type: none"> • colour appearance ww (warm white) approx. 3000K or nw (neutral white) approx. 4000K • supply cable pluggable 2,5m with LED 24 plug 	69 g
	202 031 430 03	FAR 58-LED 3W nw black		69 g
	202 031 480 03	FAR 58-LED 3W nw stainless steel look		69 g
	610 604 300 02	set of 3 FAR 58-LED 3W ww stainless steel look	<ul style="list-style-type: none"> • incl. transformer 15W (5 lamps can be added) 	430 g
	610 604 300 03	set of 3 FAR 58-LED 3W nw stainless steel look		430 g
	610 604 500 02	set of 5 FAR 58-LED 3W ww stainless steel look	<ul style="list-style-type: none"> • incl. transformer 30W (10 lamps can be added) 	735 g
	610 604 500 03	set of 5 FAR 58-LED 3W nw stainless steel look		735 g
	202 031 580 02	FAQ 58-LED 3W ww stainless steel look	<ul style="list-style-type: none"> • colour appearance ww (warm white) approx. 3000K or nw (neutral white) approx. 4000K • supply cable pluggable 2,5m with LED 24 plug 	78 g
	202 031 530 03	FAQ 58-LED 3W nw black		78 g
	202 031 580 03	FAQ 58-LED 3W nw stainless steel look		78 g
	610 604 310 02	set of 3 FAQ 58-LED 3W ww stainless steel look	<ul style="list-style-type: none"> • incl. transformer 15W (5 lamps can be added) 	470 g
	610 604 310 03	set of 3 FAQ 58-LED 3W nw stainless steel look		470 g
	610 604 510 02	set of 5 FAQ 58-LED 3W ww stainless steel look	<ul style="list-style-type: none"> • incl. transformer 30W (10 lamps can be added) 	795 g
	610 604 510 03	set of 5 FAQ 58-LED 3W nw stainless steel look		795 g
Accessories		LED transformers 24V from page 30 / dim-controller page 34-35		



NEW

FAR / FAQ 68

Flat recessed LED luminaire with homogeneous planar light



Connection: LED transformer DC 24 V
Life: L70/B10 ≥ 60.000 hours
Energy efficiency: LED: 120 lm/W; luminaire: **312 lm** (78 lm/W)
Colour rendering: Ra/CRI > 93

FAR / FAQ 68-LED			
	xw	ww	nw
0,5m	432 lx	464 lx	480 lx
1,0m	108 lx	116 lx	120 lx
1,5m	48 lx	52 lx	53 lx
2,0m	27 lx	29 lx	30 lx
2,5m	17 lx	19 lx	19 lx

Special features:

- housing in metal construction
- flush mounting in 16 mm panels
- no visible luminous spots



Photo: Schröder Küchen

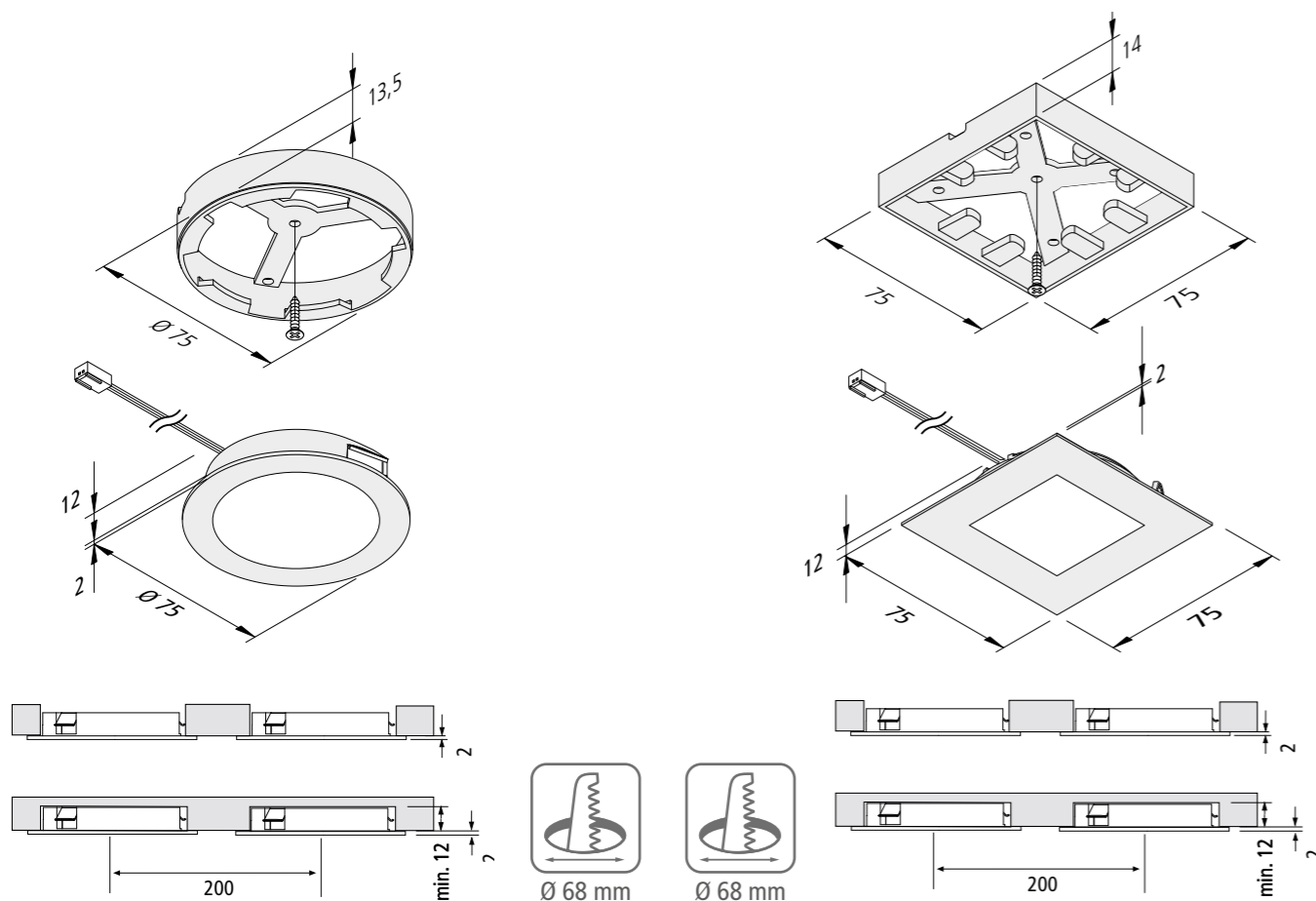


Illustration	Article No.	Description	Features	Weight approx.
	202 031 780 04	FAR 68-LED 4W xw stainless steel look	<ul style="list-style-type: none"> • colour appearance xw (extra warm white) approx. 2700K or ww (warm white) approx. 3000K or nw (neutral white) approx. 4000K • supply cable pluggable 2,5m with LED 24 plug 	80 g
	202 031 730 02	FAR 68-LED 4W ww black		80 g
	202 031 780 02	FAR 68-LED 4W ww stainless steel look		80 g
	202 031 780 03	FAR 68-LED 4W nw stainless steel look		80 g
	610 605 300 02	set of 3 FAR 68-LED 4W ww stainless steel look	<ul style="list-style-type: none"> • incl. transformer 15W 	470 g
	610 605 300 03	set of 3 FAR 68-LED 4W nw stainless steel look		470 g
	610 605 500 02	set of 5 FAR 68-LED 4W ww stainless steel look	<ul style="list-style-type: none"> • incl. transformer 30W (7 lamps can be added) 	810 g
	610 605 500 03	set of 5 FAR 68-LED 4W nw stainless steel look		810 g
	205 010 219 03	Mounting ring AR 68 black	<ul style="list-style-type: none"> • incl. fastening screw 	12 g
	205 010 219 08	Mounting ring AR 68 stainless steel		12 g
	202 031 880 04	FAQ 68-LED 4W xw stainless steel look	<ul style="list-style-type: none"> • colour appearance xw (extra warm white) approx. 2700K or ww (warm white) approx. 3000K or nw (neutral white) approx. 4000K • supply cable pluggable 2,5m with LED 24 plug 	97 g
	202 031 880 02	FAQ 68-LED 4W ww stainless steel look		97 g
	202 031 880 03	FAQ 68-LED 4W nw stainless steel look		97 g
	610 605 310 02	set of 3 FAQ 68-LED 4W ww stainless steel look	<ul style="list-style-type: none"> • incl. transformer 15W 	535 g
	610 605 310 03	set of 3 FAQ 68-LED 4W nw stainless steel look		535 g
	610 605 510 02	set of 5 FAQ 68-LED 4W ww stainless steel look	<ul style="list-style-type: none"> • incl. transformer 30W (7 lamps can be added) 	910 g
	610 605 510 03	set of 5 FAQ 68-LED 4W nw stainless steel look		910 g
	205 010 220 08	Mounting ring AQ 68 stainless steel	<ul style="list-style-type: none"> • incl. fastening screws 	12 g
Accessories	LED transformers 24V page 30 / dim-controller page 34-35			

Linear luminaires

230V Linear luminaires

Recessed and surface mounted luminaires

Accessories

¹⁾ blind hole mounting

FR 65/205 / FQ 65/205

Dimmable recessed / surface mounted luminaire for drill hole 65 - 205 mm



Connection: 220 - 240V / 50 - 60Hz
Life: L70/B10 ≥ 36.000 hours
Energy efficiency: LED: 100 lm/W; luminaire: **1170 lm** (65 lm/W)
Colour rendering: Ra/CRI > 80

FR- / FQ 65/205-LED				
	xw	ww	nw	
0,5m	Ø 650	1580 lx	1660 lx	1744 lx
1,0m	Ø 1300	395 lx	415 lx	436 lx
1,5m	Ø 1950	176 lx	184 lx	194 lx
2,0m	Ø 2600	99 lx	104 lx	109 lx
2,5m	Ø 3250	63 lx	66 lx	70 lx

Special features:

- Direct connection to 230V with integrated through-wiring
- no visible luminous spots
- adjustable mounting spring for all drill holes from 65 to 205mm
- recommended phase dimmer: Busch-Jaeger 6523U-102, Jung 1730DD or Sygonix 33594R

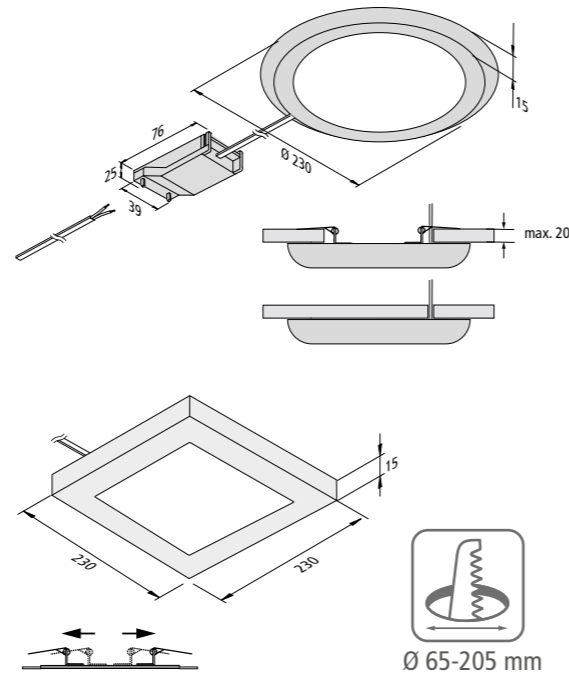


Illustration	Article No.	Description	Features	Weight approx.
	202 030 701 03	FR 65/205-LED 18W xw white	<ul style="list-style-type: none"> • colour appearance xw (extra warm white) approx. 2700K or ww (warm white) approx. 3000K or nw (neutral white) approx. 4000K • incl. terminal for 230V with integrated through-wiring • recommended phase dimmer: Busch-Jaeger 6523U-102, Jung 1730DD or Sygonix 33594R 	362 g
	202 030 701 02	FR 65/205-LED 18W ww white		362 g
	202 030 701 01	R 65/205-LED 18W nw white		362 g
	202 030 801 03	FQ 65/205-LED 18W xw white		462 g
	202 030 801 02	FQ 65/205-LED 18W ww white		462 g
	202 030 801 01	FQ 65/205-LED 18W nw white		462 g

NEW

ECO SR 68

Recessed swivel and tilt LED luminaire



Connection: LED transformer DC 280 mA
Life: L70/B10 ≥ 50.000 hours
Energy efficiency: LED: 135 lm/W luminaire **750 lm** (116 lm/W inkl. transformer)
Colour rendering: Ra/CRI > 80

Eco SR 68 6,5W				
	xw	ww	nw	
0,5m	Ø 215	5152 lx	4904 lx	5576 lx
1,0m	Ø 430	1288 lx	1226 lx	1394 lx
1,5m	Ø 645	572 lx	545 lx	620 lx
2,0m	Ø 860	322 lx	307 lx	349 lx
2,5m	Ø 1075	206 lx	196 lx	223 lx

Special features:

- swivels and tilts 20° to both sides
- metal casing
- incl. small transformer for the flat inserted ceiling

Photo: Shutterstock

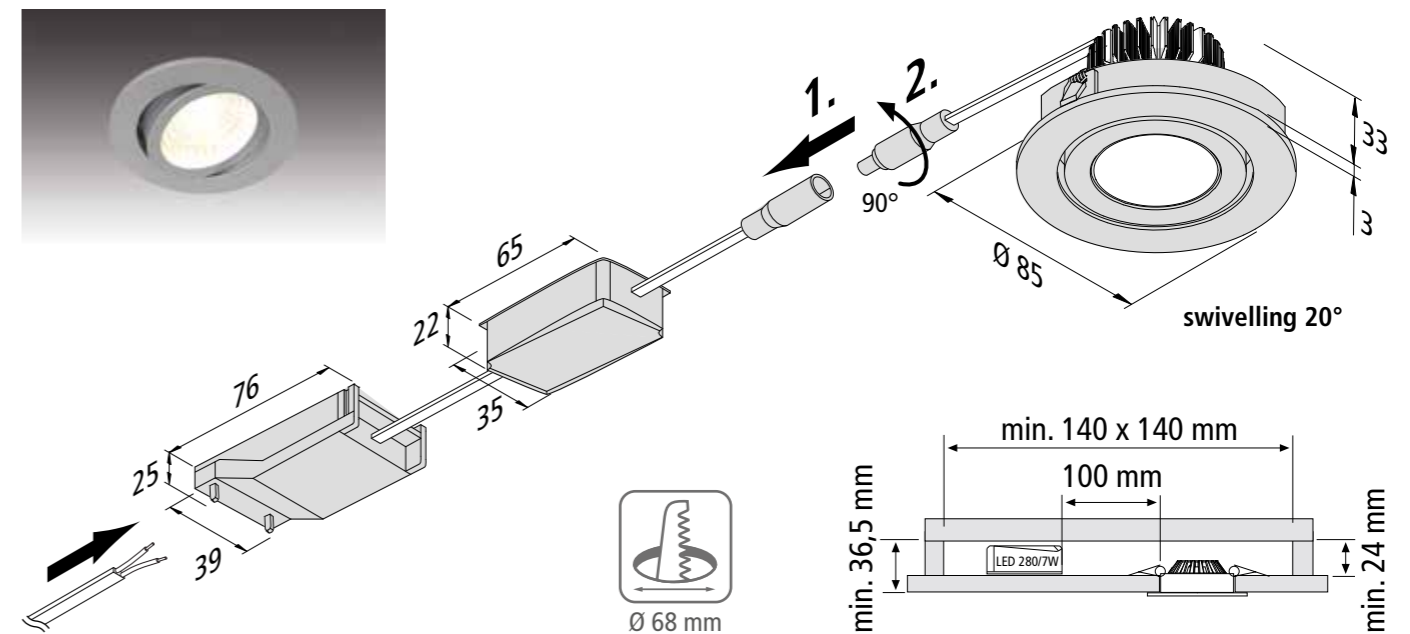


Illustration	Article No.	Description	Features	Weight approx.
	202 033 510 04	Eco SR 68-LED 5W xw white	<ul style="list-style-type: none"> • colour appearance xw (extra warm white) approx. 2700K or ww (warm white) approx. 3000K or nw (neutral white) approx. 4000K • incl. dimmable LED transformer with terminal clamp for 230V with integrated through-wiring • recommended phase dimmer: Busch 2247U oder 6513U-102, Jung 266GDE oder 225TDE, GIRA 117600/103 	190 g
	202 033 560 04	Eco SR 68-LED 5W xw matt chrome		190 g
	202 033 510 02	Eco SR 68-LED 5W ww white		190 g
	202 033 560 02	Eco SR 68-LED 5W ww matt chrome		190 g
	202 033 510 03	Eco SR 68-LED 5W nw white		190 g
	202 033 560 03	Eco SR 68-LED 5W nw matt chrome		190 g

LED 24 Trafos

Electronic safety transformer for 24 V DC LED



LED 24/30 W

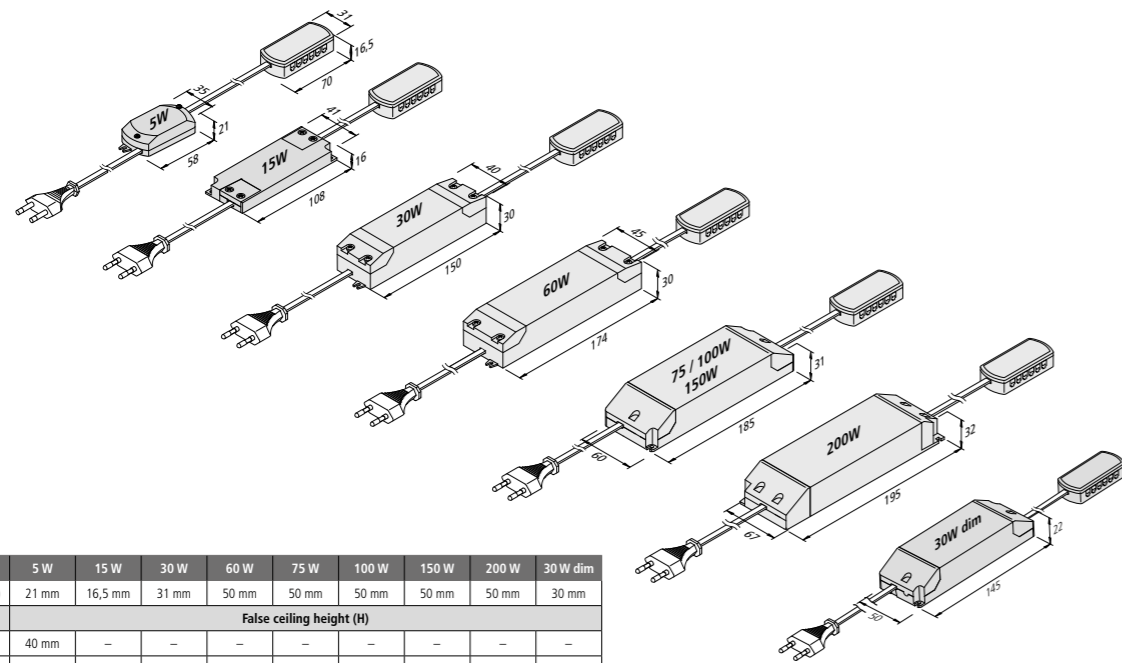


LED 24/100 W



Connection: 220 – 240 V / 0 – 50/60 Hz

- Other:**
- constant 24 V DC
 - protected against short-circuit, overload and no-load
 - max. length of secondary cables: **5 m** each

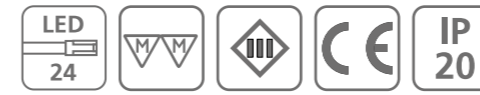


	5 W	15 W	30 W	60 W	75 W	100 W	150 W	200 W	30 W dim
Installation height (E)	21 mm	16,5 mm	31 mm	60 mm	50 mm	50 mm	50 mm	50 mm	30 mm
Ceiling cavity (D)	False ceiling height (H)								
ø 45 mm	40 mm	–	–	–	–	–	–	–	–
ø 55 mm	35 mm	55 mm	110 mm	140 mm	–	–	–	–	110 mm
ø 68 mm	30 mm	45 mm	90 mm	100 mm	140 mm	140 mm	140 mm	–	68 mm
ø 78 mm	22 mm	40 mm	70 mm	80 mm	100 mm	100 mm	100 mm	140 mm	54 mm

Article No.	Description	Features	Weight approx.
206 040 023 01	Transformer LED 24/ 5W DC 24V	• mains cable 2m with Euro plug	160 g
206 040 011 01	Transformer LED 24/ 15W DC 24V	• 12-way distributor	167 g
206 040 012 01	Transformer LED 24/ 30W DC 24V		330 g
206 040 031 01	Transformer LED 24/ 60W DC 24V		375 g
206 040 019 01	Transformer LED 24/ 75W DC 24V		460 g
206 040 033 01	Transformer LED 24/100W DC 24V		460 g
206 040 040 01	Transformer LED 24/150W DC 24V		544 g
206 040 030 02	Transformer LED 24/200W DC 24V		611 g
206 040 012 22	Transformer LED 24/ 30W dimmable DC 24V	• no minimum load necessary • recommended trailing edge dimmer: Busch-Jaeger 6523U, Gira 5400 00, JUNG 1224 LED UDE or JUNG 1730DD • dim range: 5 - 100%	335 g

IR-Switch / Dimmer 24V

Motion-activated switch / dimmer for 24 V LED



Connection: LED transformer DC 24 V

- Other:**
- motion operates switch or motion of door operates switch
 - function 1 (as supplied): the first time the switch senses motion it turns on the light, and the second time it turns it off again
 - function 2 (short keystroke, see drawing): opening the door automatically switches the light on – and closing the door switches it off again (combination of several IR switches possible, e.g. for a wide sliding door)
 - the brightness which is adjusted in function 1 will be retained after changing into function 2
 - the connected LED luminaire is dimmable if the human hand or an object remains inside the detection range of the IR sensor (only in function 1).
 - suitable for switching LED luminaires 24 V
 - for 14,5 mm drill hole or to stick on with enclosed adhesive pad
 - distance between the closed door and IR sensor should be up to 50 mm (depending on surface)
 - a keystroke of approx. 6 sec. deactivates or activates the dim and memory function

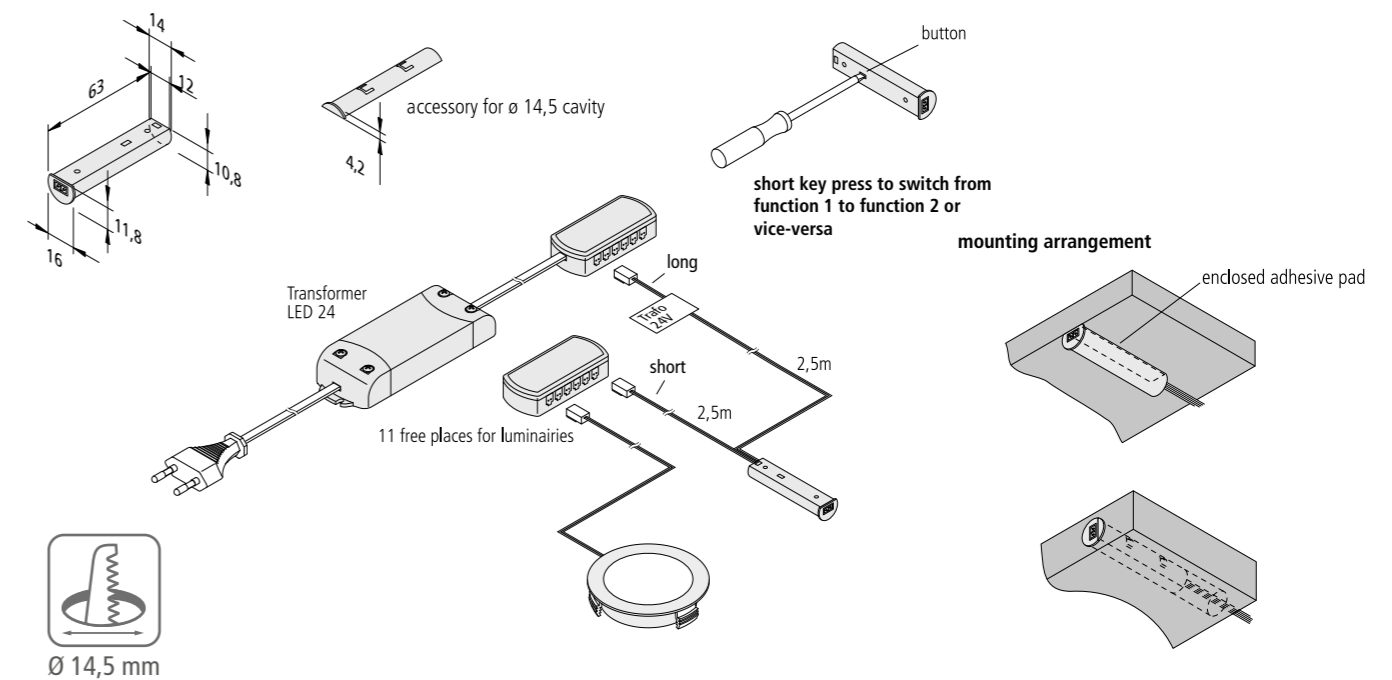


Illustration	Article No.	Description	Features	Weight approx.
	217 032 201 01	IR-Dimmer 24V max. 48W white	• supply cable 2,5m with LED 24 plug	75 g
	217 032 201 03	IR-Dimmer 24V max. 48W black	• sensor cable 2,5m with 11-way distributor LED 24	75 g



LED 24V Dynamic-Controller

To adjust the colour appearance (from extra warm to cool white)



Radio remote controls (operating distance 15 m / less for walls and ceilings)

- flush-mounted touch remote control for dimming, switching and colour setting with customary push button
- 4 channel remote control with master button and wall mounting combinable with dim controllers
- surface mounted remote control with wall mounting
- recessed remote control for wood with 35 mm cut-out, depth min. 12 mm incl. mounting housing stainless steel look or for use in standard sockets
- multiple radio controllers can be activated simultaneously using one remote control
- all controllers with „**Soft Off**“ and „**Multicontrol**“ (it is possible to program up to 7 remote controls to one controller)

Dali controller

- for connection to complex controls or bus systems

WiFi / Alexa controller controllable with every iOS or Android smartphone or tablet (Hera-App for free)

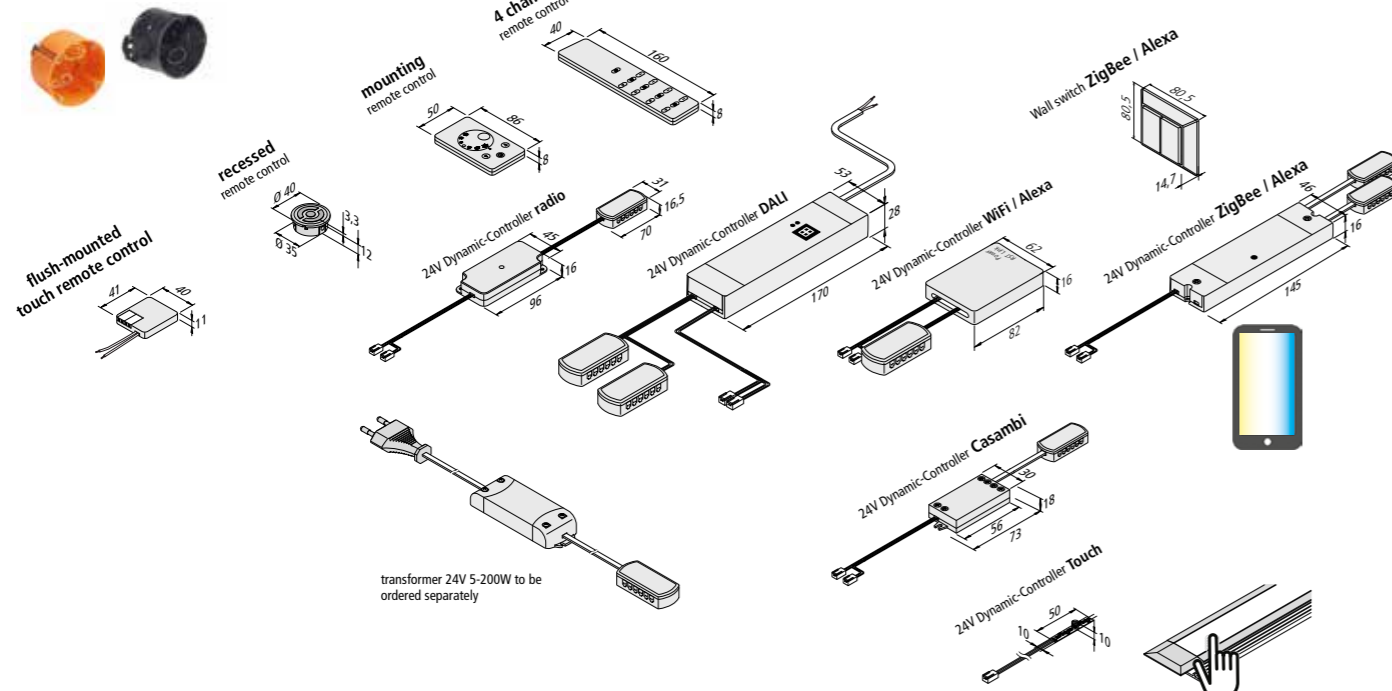
- easy installation with plug & play components and connecting system (operating distance up to 50 m)
- can be used as stand-alone system without an existing WiFi system; with an existing WiFi system max. 14 controllers can be used simultaneously
- incl. remote function (external control) and timer function (individual runtime and programmed pause)
- **NEW:** with the „Magic Home Pro“ app voice control via Alexa or Google Home



Connection: 24 V DC / for Dynamic luminaires with Dynamic plug

- Other:**
- easy plug-in connection for new or existing installations
 - with memory function (after disconnection from the mains, the previous dimming status is restored)

suitable for



Article No.	Description	Features	Weight approx.
208 050 030 15	24V Dynamic-Controller radio 75W incl. flush-mounted touch-remote-control	<ul style="list-style-type: none"> • as essential accessory • to adjust the colour, dim and switch • 4-way distributor 	85 g
615 000 505 32	24V Dynamic-Controller radio 75W incl. 4 channel remote control black		130 g
615 000 505 29	24V Dynamic-Controller radio 75W incl. surface mounted remote control black		105 g
615 000 505 31	24V Dynamic-Controller radio 75W incl. surface mounted remote control stainless steel look		105 g
615 000 505 30	24V Dynamic-Controller radio 75W with 4-way distributor incl. recessed remote control black	<ul style="list-style-type: none"> • as extension to an existing controller • max. 7 different radio transmitters can be used with one controller • each remote control can be parallel registered on random controller 	80 g
615 000 505 34	24V Dynamic-Controller radio 75W incl. recessed remote control stainless steel look		80 g
208 050 030 12	24V Dynamic-Controller radio 75W without radio remote control (only as extension to controllers incl. radio remote control)		65 g
208 050 020 51	Flush-mounted touch remote control to adjust the colour, dim and switch	<ul style="list-style-type: none"> • dim control cable 0,3m with ferrules • to adjust the colour, dim and switch Dynamic luminaires 	20 g
615 000 506 31	4 channel remote control black		65 g
615 000 506 43	Surface mounted remote control Dynamic black		40 g
615 000 506 41	Surface mounted remote control Dynamic stainless steel look		40 g
615 000 506 53	Recessed remote control Dynamic black		15 g
615 000 506 51	Recessed remote control Dynamic stainless steel look		15 g
615 000 505 33	24V Dynamic-Controller DALI 120W with 2x4-way distributor	<ul style="list-style-type: none"> • operating distance 50m / less for walls and ceilings 	125 g
615 000 509 22	24V Dynamic-Controller WiFi / Alexa 75W with 4-way distributor ²⁾		100 g
615 000 522 11	24V Dynamic-Controller ZigBee / Alexa 96W with 2x4-way distributor	<ul style="list-style-type: none"> • list of compatible systems see www.hera-online.de 	60 g
217 032 601 01	Wall switch Dynamic ZigBee / Alexa white		56 g
615 000 528 01	Wall switch Dynamic ZigBee / Alexa white + Controller 9W	<ul style="list-style-type: none"> • RAL 9003 / for screwing or gluing 	116 g
615 000 516 11	24V Dynamic-Controller CASAMBI 75W with 4-way distributor		60 g
208 050 050 11	24V Dynamic-Controller Touch 48W with 3 solder bridges	<ul style="list-style-type: none"> • app: www.casambi.com • for selection in the configurator 	25 g
Accessories	LED transformers 24V page 30		

¹⁾ radio versions only (surface mounting)
²⁾ only use with transformers up to 75W

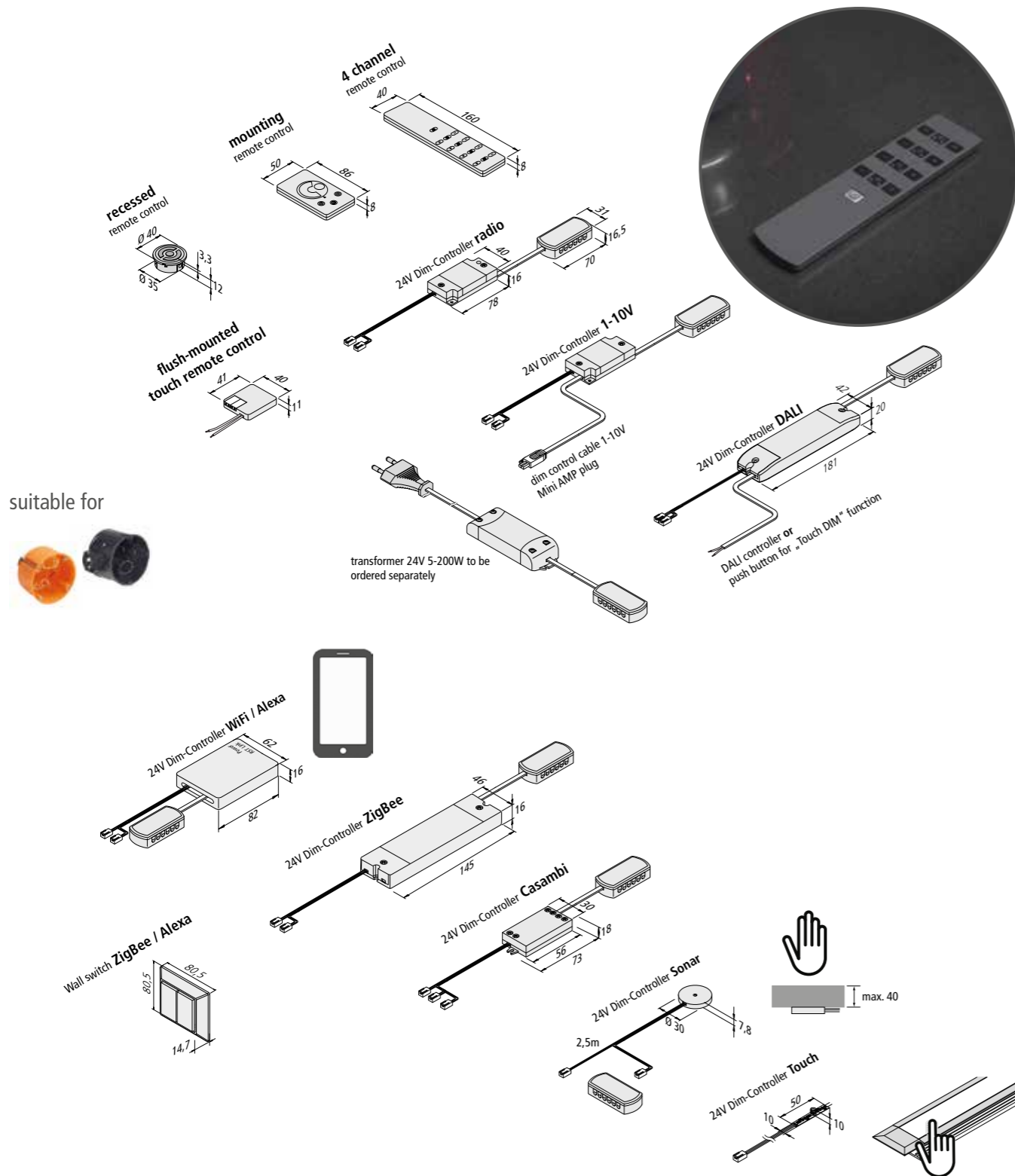
LED 24V Dimm-Controller

Dim-controller as optional accessory for 24 V transformers



Connection: 24 V DC / for luminaires with LED 24 plug

- Other:**
- easy plug-in connection for new or existing installations
 - with memory function (after disconnection from the mains, the previous dimming status is restored)



suitable for



LED 24V Dimm-Controller

Dim-controller as optional accessory for 24 V transformers



Radio remote controls for dimming and switching

- flush-mounted touch remote control to dim and switch with customary push-button (operating distance 15m / less for walls and ceilings)
- 4 channel remote control with master button and wall mounting also combinable with Dynamic controllers
- surface mounted remote control with wall mounting
- recessed remote control for wood with 35 mm cut-out, depth min. 12 mm incl. mounting housing stainless steel look or for use in standard sockets
- multiple radio controllers can be activated simultaneously using one remote control or per channel
- all controllers with „Soft Off“ and „Multicontrol“ (max. 7 different radio transmitters can be used with one controller)

DALI controller for connection to complex controls or bus systems

WiFi / Alexa controller controllable with every iOS or Android smartphone or tablet (Hera-App for free)

- easy installation with plug & play components and connecting system. Operating distance up to 50 m
- can be used as stand-alone system without an existing WiFi system; with an existing WiFi system max. 14 controllers can be used simultaneously
- incl. remote function (external control) and timer function (individual runtime and programmed pause)
- **NEW:** with the „Magic Home Pro“ app voice control via Alexa oder Google Home

Sonar controller for invisible switching and dimming behind wood, glass, stone, or ceramic with a max. size of 40 mm

Article No.	Description	Features	Weight approx.
208 050 030 06	24V Dim-Controller radio 80W incl. flush-mounted touch-remote-control	• to dim and switch • with 12-way distributor	85 g
615 000 505 26	24V Dim-Controller radio 80W incl. 4 channel remote control black		130 g
615 000 505 21	24V Dim-Controller radio 80W incl. surface mounted remote control black		105 g
615 000 505 23	24V Dim-Controller radio 80W incl. surface mounted remote control stainless steel look		105 g
615 000 505 22	24V Dim-Controller radio 80W incl. recessed remote control black		80 g
615 000 505 24	24V Dim-Controller radio 80W incl. recessed remote control stainless steel look		80 g
208 050 030 02	24V Dim-Controller radio 80W without remote control (only as extension for controllers incl. remote control)		65 g
208 050 020 51	Flush-mounted touch remote control to adjust the colour, dim and switch	• as extension to an existing controller • max. 7 different radio transmitters can be used with one controller • each remote control can be parallel registered on random controller	20 g
615 000 506 31	4 channel remote control black		65 g
615 000 506 03	Surface mounted remote control dim black		50 g
615 000 506 01	Surface mounted remote control dim stainless steel look		50 g
615 000 506 23	Recessed remote control dim black		15 g
615 000 506 21	Recessed remote control dim stainless steel look		15 g
208 050 030 01	24V Dim-Controller 1-10V 80W with 12-way distributor ²⁾	• dim control cable 0,3m with Mini AMP-plug / dim current <1mA	80 g
615 000 505 11	24V Dim-Controller DALI 120W with 12-way distributor ²⁾	• dim control cable 0,3m with ferrules	125 g
615 000 509 03	24V Dimm-Controller WiFi / Alexa 100W with 12-way distributor	• operating distance 50m / less for walls and ceilings	110 g
615 000 522 01	24V Dim-Controller ZigBee / Alexa 96W with 12-way distributor	• list of compatible systems see www.hera-online.de	80 g
217 032 501 01	Wall switch Dim ZigBee / Alexa white	• RAL 9003 / for screwing or gluing	56 g
615 000 527 01	Wall switch Dim ZigBee / Alexa white + Controller 96W	NEW	136 g
615 000 516 01	24V Dim-Controller CASAMBI 120W with 12-way distributor	• app: www.casambi.com	80 g
208 050 030 41	24V Dim-Controller Sonar 48W with 11-way distributor	• dim control cable 2,5m • incl. screw and adhesive plate	70 g
208 050 050 01	24V Dim-Controller Touch 48W with 2 solder bridges	• for selection in the configurator	25 g
Accessories	LED transformers 24V page 30		

¹⁾ only surface mounted and recessed remote control;

²⁾ only one controller per transformer

Hera[®]

Hera GmbH & Co. KG
Dieselstraße 9 · D-32130 Enger
Telefon: +49 5224 911-0
mail@hera-online.de
www.hera-online.de

Position as per 08/2022

Subject to technical changes and errors without prior notice.
All information provided without guarantee. No liability for literal mistakes.