

**PLANNING INFORMATION**

All dimensions in millimetres

Installation dimensions	Drawer	NL	SKL	MET
		250	240	253
		270	260	273
		300	290	303
		320	310	323
		350	340	353
		420	410	423
		450	440	453
		480	470	483
		500	490	503
		520	510	523
		550	540	553
		580	570	583
		600	590	603
		650	640	653
		700	690	703
750	740	753		

Mounting position for front locking device	Mounting position for adjustment adapter

**Attachment positions for full extension slide**

Euro screw  $\varnothing 6,3 \times 14$  mm  
 Chipboard screws  $\varnothing 4 \times 16$  mm  
 Head diameter 7 mm

**LEGEND**

HV	Height adjustment	MET	Minimum installation depth	SV	Lateral adjustment
KV	Front edge of cabinet	NL	Nominal length	TV	Depth adjustment
LWK	Inside cabinet width	NV	Tilt adjustment		
LWS	Inside drawer width	SKL	Drawer length		

# DYNAPRO SOFT-CLOSE EB 21

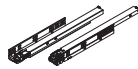
Full extension slide 70 kg



- Excellent running characteristics
- Fully synchronised slide technology
- Soft-close damping system
- Maximum side stability
- Minimum drawer deflection
- Stepless self-locking of the drawer when pushed onto the slide
- Tool-free 2D/3D/4D adjustment facility:
  - Height adjustment: + 3.5 mm
  - Side adjustment ± 1.5 mm (3D/4D set only)
  - Tilt angle adjustment + 4 mm
  - Depth adjustment + 3.5 mm (4D set only)

## ORDER INFORMATION

1 Dynapro Full extension slide 70 kg Soft-close EB 21				
NL	70 kg	70 kg	70 kg	
	Left, Right	Left	Right	
450	F130107832	F130107833	F130107834	
500	F130107838	F130107839	F130107840	
520	F130107841	F130107842	F130107843	
550	F130107844	F130107845	F130107846	
580	F130107847	F130107848	F130107849	
600	F130107850	F130107851	F130107852	
650	F130107853	F130107854	F130107855	



1 Dynapro Full extension slide 50 kg Soft-close EB 21				
NL	50 kg	50 kg	50 kg	
	Left, Right	Left	Right	
700	F130107856	F130107857	F130107858	
750	F130107859	F130107860	F130107861	



2 Dynapro Accessories Set: Front locking device, Adjustment adapter		
	Mounting material	Art. no.
2D	Chipboard screw (excl.)	F134117193
3D	Chipboard screw (excl.)	F134140568
4D	Chipboard screw (excl.)	F134140569



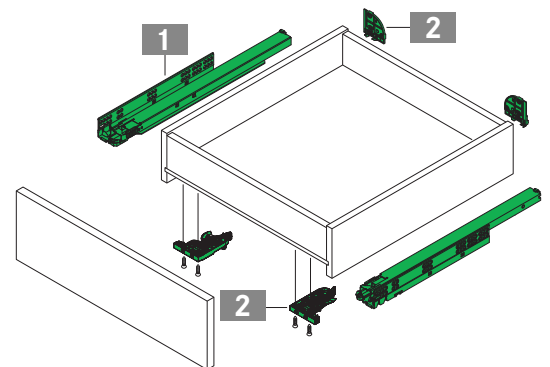
Front locking device			
Adjustable	Left, Right	Left	Right
1D	F134140216	F134140217	F134140218
2D		F134140563	F134140564
3D		F134140566	F134140567



Adjustment adapter Piece			
Adjustable	Left	Right	
1D	F134108953	F134108954	



1D depth adjustment for 2D front locking device			
Type of assembly	Left, Right	Left	Right
To clip-on	F134108957	F134108958	F134108959



## PAGE REFERENCES

Dynapro Tipmatic Soft-close	16	Application examples	28	Sensomatic	39
Dynapro Tipmatic	22	Technical information	32		
Base panel mounting	26	Assembly aids	36		