

DYNAPRO SOFT-CLOSE EB 21

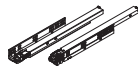
Full extension slide 40 kg



- Excellent running characteristics
- Fully synchronised slide technology
- Soft-close damping system
- Maximum side stability
- Minimum drawer deflection
- Stepless self-locking of the drawer when pushed onto the slide
- Tool-free 2D/3D/4D adjustment facility:
 - Height adjustment: + 3.5 mm
 - Side adjustment ± 1.5 mm (3D/4D set only)
 - Tilt angle adjustment + 4 mm
 - Depth adjustment + 3.5 mm (4D set only)

ORDER INFORMATION

1 Dynapro Full extension slide 40 kg Soft-close EB 21				
NL	40 kg	40 kg	40 kg	
	Left, Right	Left	Right	
250	F130107790	F130107791	F130107792	
270	F130107793	F130107794	F130107795	
300	F130107796	F130107797	F130107798	
320	F130107799	F130107800	F130107801	
350	F130107802	F130107803	F130107804	
380	F130107805	F130107806	F130107807	
400	F130107808	F130107809	F130107810	
420	F130107811	F130107812	F130107813	
450	F130107814	F130107815	F130107816	
480	F130107817	F130107818	F130107819	
500	F130107820	F130107821	F130107822	
520	F130107823	F130107824	F130107825	
550	F130107826	F130107827	F130107828	
600	F130107829	F130107830	F130107831	



2 Dynapro Accessories Set: Front locking device, Adjustment adapter		
	Mounting material	Art. no.
2D	Chipboard screw (excl.)	F134117193
3D	Chipboard screw (excl.)	F134140568
4D	Chipboard screw (excl.)	F134140569



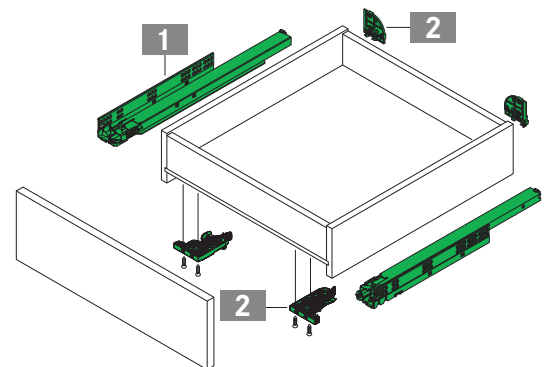
Front locking device			
Adjustable	Left, Right	Left	Right
1D	F134140216	F134140217	F134140218
2D		F134140563	F134140564
3D		F134140566	F134140567



Adjustment adapter Piece			
Adjustable	Left	Right	
1D	F134108953	F134108954	



1D depth adjustment for 2D front locking device			
Type of assembly	Left, Right	Left	Right
To clip-on	F134108957	F134108958	F134108959



PAGE REFERENCES

Dynapro Tipmatic Soft-close	16	Application examples	28	Sensomatic	39
Dynapro Tipmatic	22	Technical information	32		
Base panel mounting	26	Assembly aids	36		

PLANNING INFORMATION

All dimensions in millimetres

Installation dimensions	Drawer	NL	SKL	MET
		250	240	253
		270	260	273
		300	290	303
		320	310	323
		350	340	353
		380	370	383
		400	390	403
		420	410	423
		450	440	453
		480	470	483
	500	490	503	
	520	510	523	
	550	540	553	
	580	570	583	
	600	590	603	
650	640	653		
700	690	703		
750	740	753		

Mounting position for front locking device	Mounting position for adjustment adapter

Attachment positions for full extension slide

Euro screw $\varnothing 6,3 \times 14$ mm
 Chipboard screws $\varnothing 4 \times 16$ mm
 Head diameter 7 mm

LEGEND

HV	Height adjustment	MET	Minimum installation depth	SV	Lateral adjustment
KV	Front edge of cabinet	NL	Nominal length	TV	Depth adjustment
LWK	Inside cabinet width	NV	Tilt adjustment		
LWS	Inside drawer width	SKL	Drawer length		