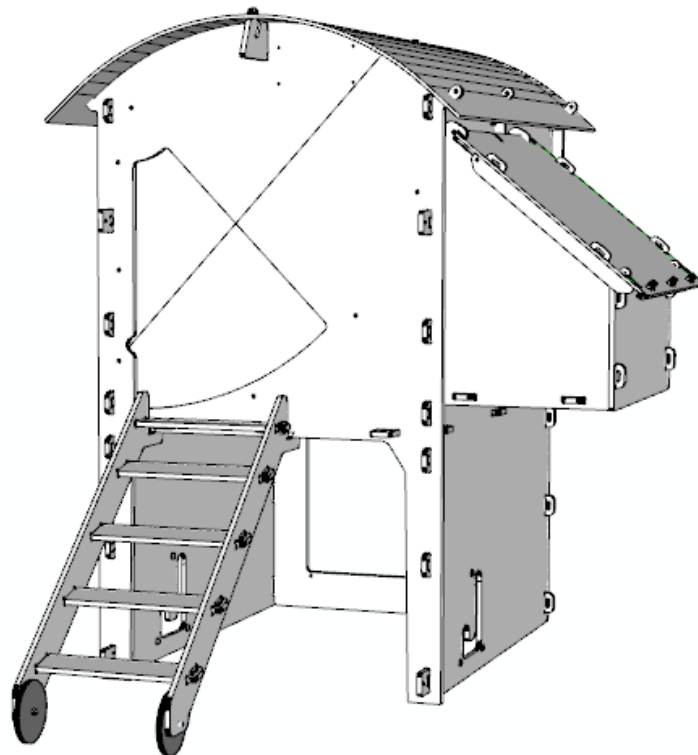


NESTERA



**How To Assemble, Use And Care For Your
Raised Chicken House Medium.**

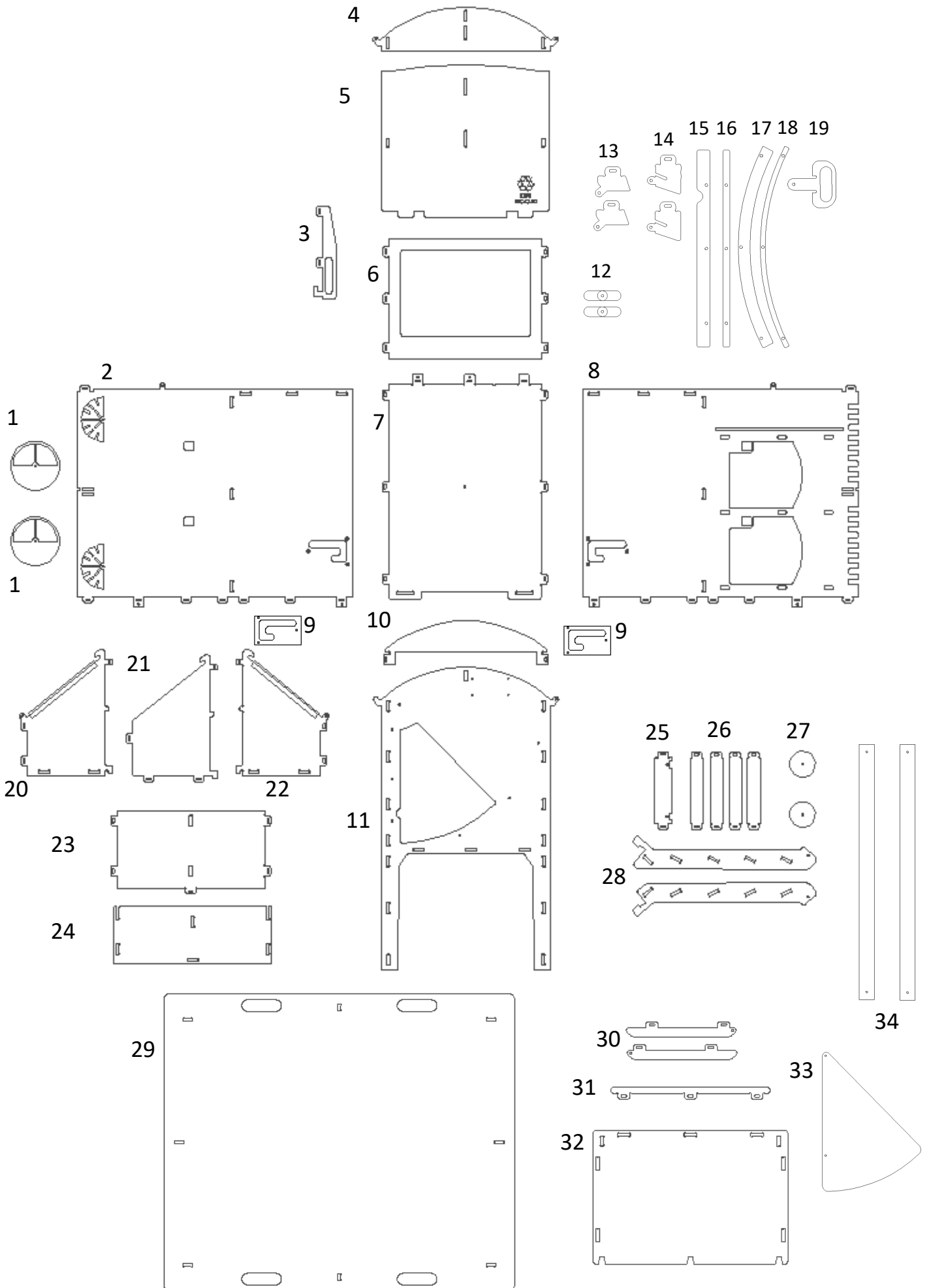


Version 1.0

Raised House Components

1. Vent covers
2. Right side wall (Vent side)
3. Back door handle
4. Upper back wall
5. Back door
6. Lower back wall
7. Base
8. Left hand side wall (Nest box side)
9. Axel support plates
10. Roof support
11. Front panel
12. Mesh locking lugs
13. Side roof retainers
14. Front roof retainers
15. Large straight door retainer
16. Small straight door retainer
17. Large curved door retainer
18. Small curved door retainer
19. Handle
20. Left hand nest box wall
21. Nest box divider (Not for Small)
22. Right hand nest box wall
23. Nest box floor
24. Nest box front wall
25. Ladder top step
26. Ladder steps
27. Buffer wheels.
28. Ladder sides Left/Right hand
29. Roof
30. Nest box side brace
31. Nest box front brace
32. Nest box roof
33. Metal Door
34. Perch

Medium Raised House



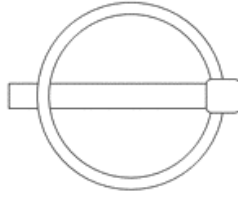
Fixing Pack

You only need to lift the ring slightly up from the bar. Linch Pins are designed to spring closed, so watch your fingers!



Pi Clip

Qty 68



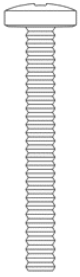
Linch Pins

Qty 19



Cord 148cm long

Qty 1



40mm Screw

Qty 3



30mm Screw

Qty 15



20mm Screw

Qty 1



25mm Washer

Qty 3



Standard Washers

Qty 23



Nylock Nut

Qty 19



Clevis Pin 25mm

Qty 2



Clevis Pin 20mm

Qty 1



Split Ring

Qty 1

Not to scale.

RECYCLED & RECYCLABLE

Products from green frog designs are made, wherever possible, from materials that are recycled. Where this is not practical, we always try to use materials that are suitable for recycling.

Our plastic is made from recycled industrial waste plastic. By choosing our products, rather than those made from virgin plastic, you are helping to restrict the amount of new plastic being made. We recycle all our waste plastic (our Pi Clips are made from our own waste) and, of course, our products themselves can be recycled (if they ever wear out!!).

The recycled plastic we use is quite tough, but is as easily worked as wood. There is no need for preservative treatment with insecticides or fungicides, and structures won't splinter or crack, so they retain their structural integrity well. The plastic is resistant to UV light, so it retains its colour, and is pretty much impervious to atmospheric pollutants and seasonal climatic actions such as freeze-thaw. It insulates quite well, and is also resistant to chewing. These properties mean that it retains its appearance, colour and functionality for much longer than timber.

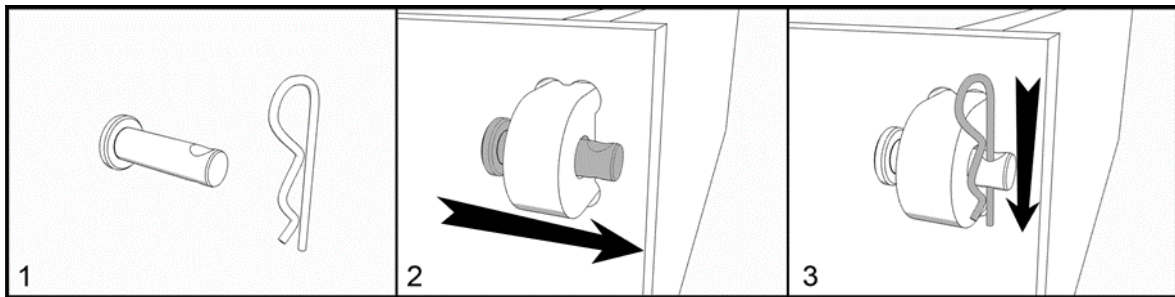
The sheets of recycled plastic have a very uniform thickness, and so are ideally suited to our high-technology manufacturing process, which uses computer-controlled machines to cut shapes to accuracies better than 0.1mm.

We do use some metal components to fix a few parts together. The metals used are either stainless steel or other rust-resistant alloy, so they have a very long lifetime, and they are also suitable for recycling.

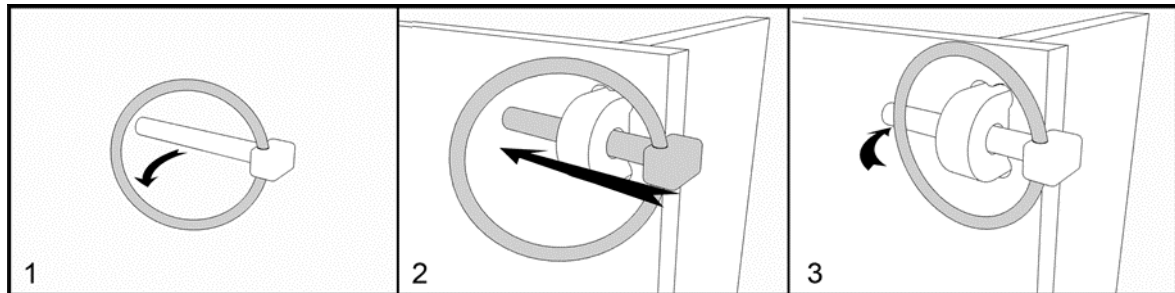
Our packaging and literature is all made from recycled materials wherever possible. For example, assembly instructions are printed on recycled paper. Even our business cards are made from 80% recycled card.

In other words: **Fun, functional products that don't cost the Earth!**

HOW TO FIT A CLEVIS PIN (IF USED)

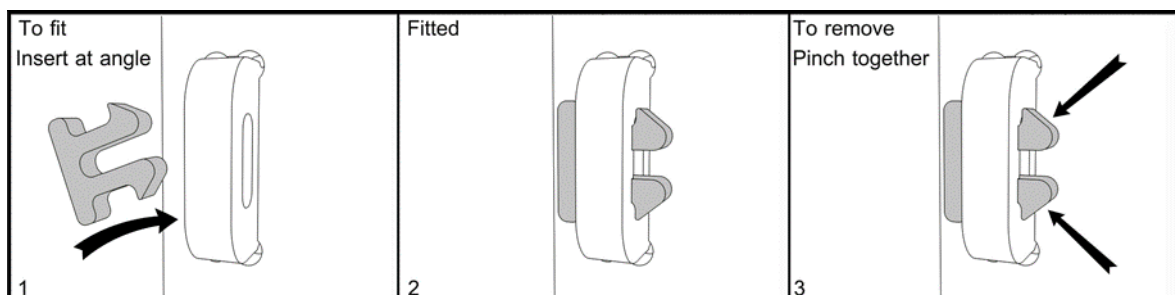


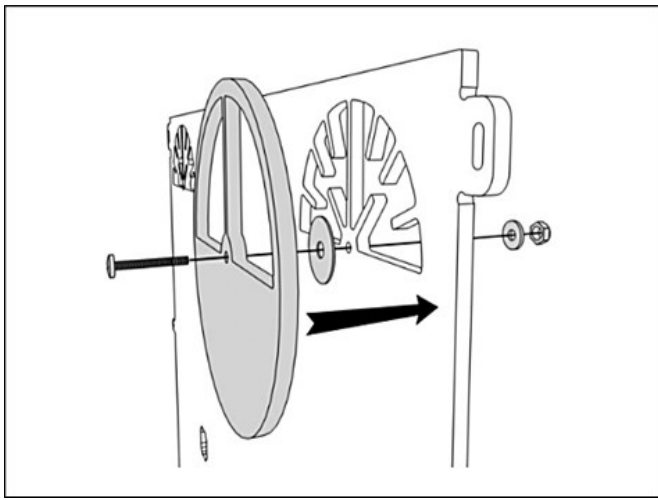
HOW TO FIT A LINCH PIN (IF USED)



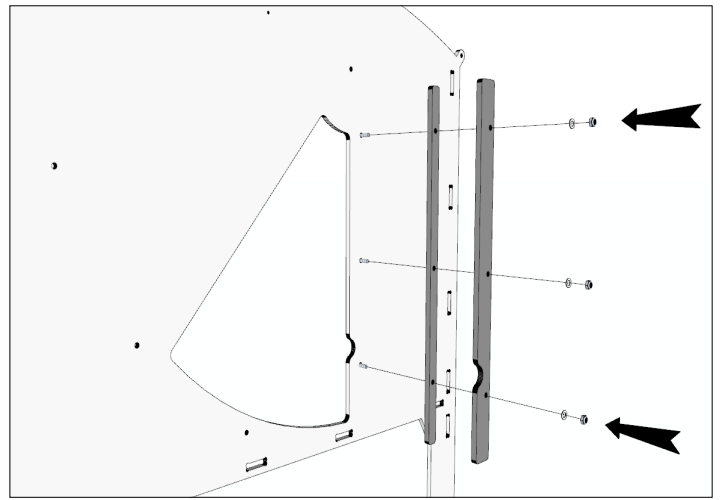
You only need to lift the ring slightly up from the bar. Linch Pins are designed to spring closed, so watch your fingers!

HOW TO FIT AND REMOVE A PI CLIP

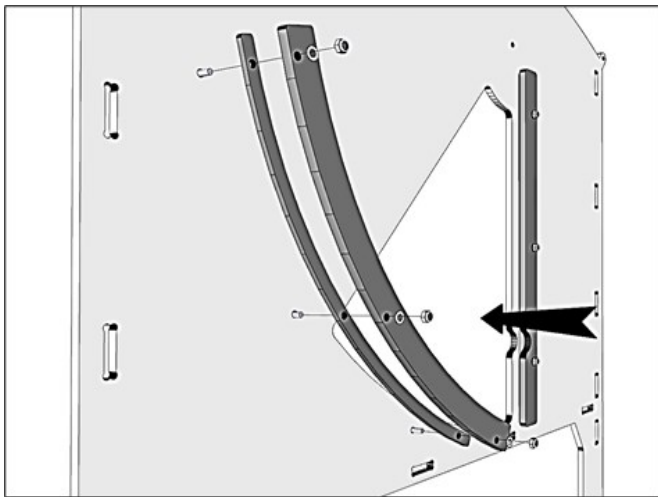




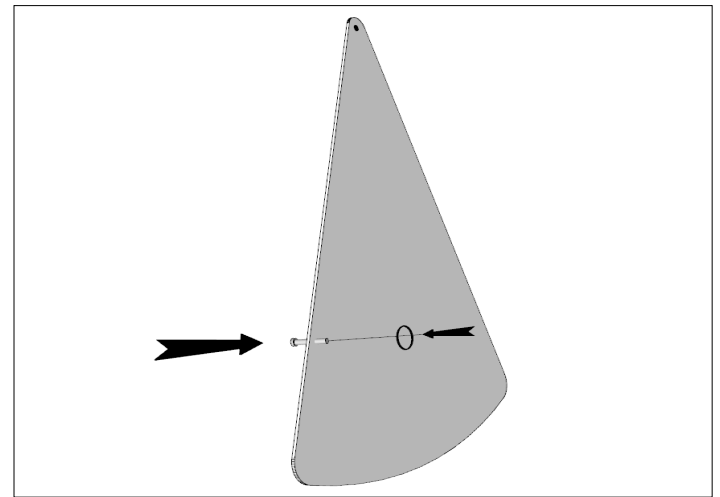
1, Fit two Vent Covers to the patterned face of the Right Side Wall each using an M6x30mm screw, a standard washer, 25mm washer and 1 x nylock nut.. Tighten the nuts until the vents can rotate using gentle pressure. They should not spin freely. The Left Side Wall has vent slots, to ensure the chickens have some fresh air at all times.



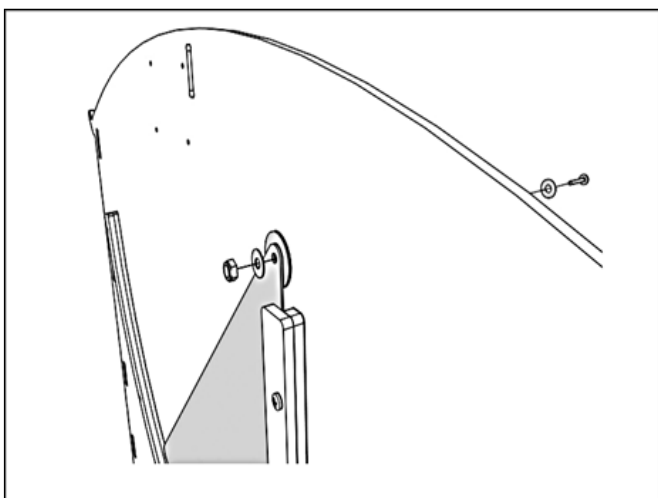
2, Fit the Small and Large Straight Door Retainer to the smooth (inside) side of the Front Wall using 3 x 40mm Screws, 3 x Standard washers and 3 x nylock nuts.



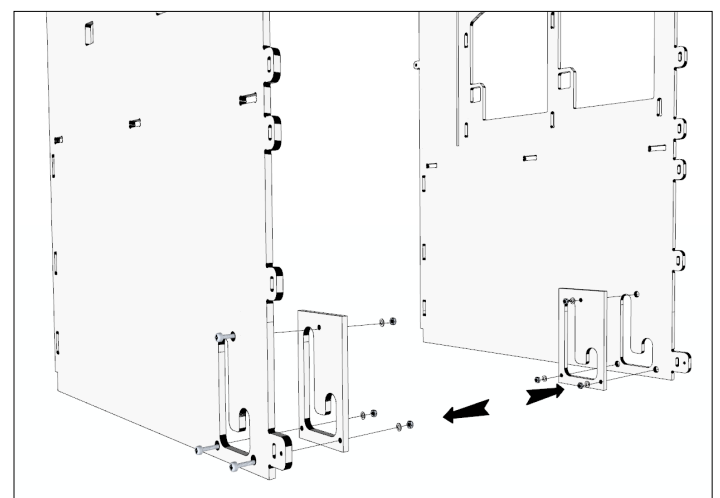
3, Fit the Small and Large Curved Door Retainer to the smooth (inside) side of the Front Wall using 3x 30mm Screws, 3x Standard Washers, and 3 x Nylock Nuts. These pieces form a recess into which the door fits when closed.



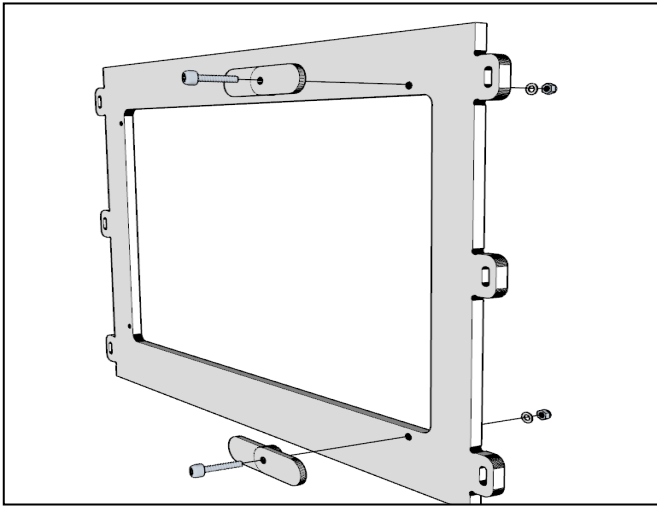
4, Fit the Small Clevis Pin into the hole in the Metal Door from behind, and secure it using a washer and split ring. This can be a little awkward. We find that holding the split ring open by inserting a flat-bladed screwdriver between the rings can make this task easier. But please mind your fingers!



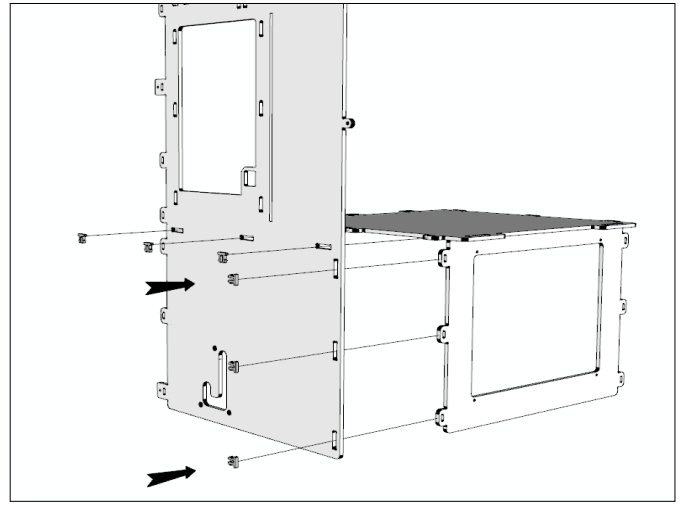
5, Place the Metal Door in position, and secure it with a 20mm screw, 2x Standard Washers, a 25mm Washer and a Nylock Nut. Tighten the Nylock Nut until the door can just rotate freely.



6, Fit the Axle support plates to the internal of the side walls (shiny side) using 3x 30mm Screws, 3x standard washer and the 3x nylock nuts per side. The 30mm bolts are pushed through the outside face so they sit flush with the outside face .

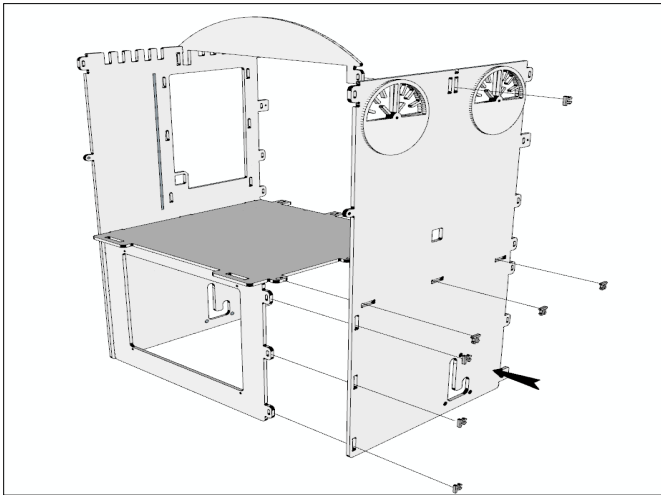


7, Fit the Mesh locking lugs to the textured side of the lower back wall, with the flat surface of the lug facing outwards using 2 x 30mm screws, 2 x Standard washers and 2 x Nylock nuts. Tighten until the locking lugs have some resistance when you turn them 90 Degrees.

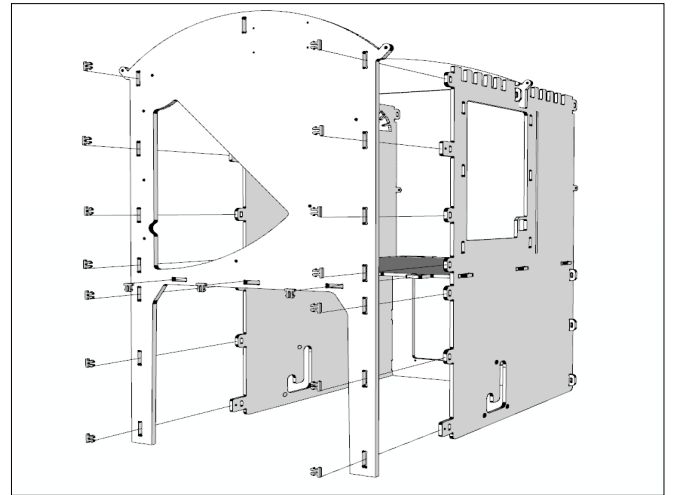


8, Fit the nest box Side Wall to the Lower Back Wall and Base using 6 x Pi Clips. Ensure that the Double-hole lugs are at the front.

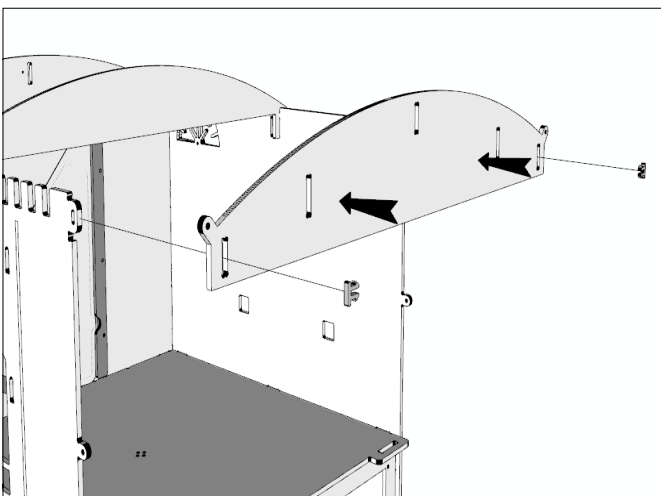
Note : The base is to be fitted smooth side up.



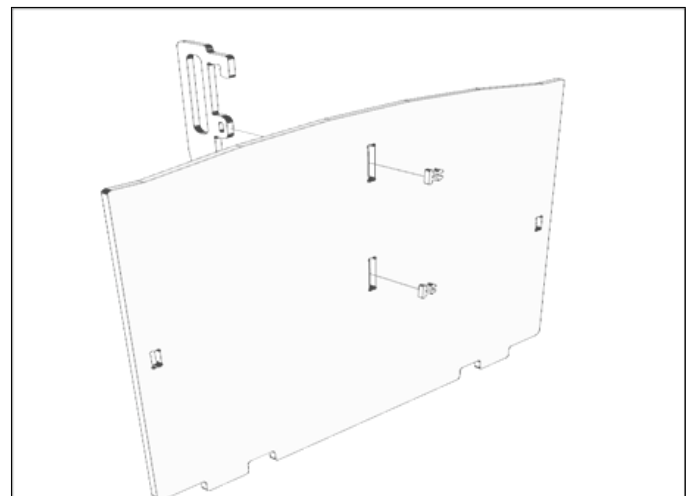
9, Fit the Side wall (with Vent covers) to the base and back wall and attach the Roof Support to the top center slot with another slot above it using 8x Pi clips.



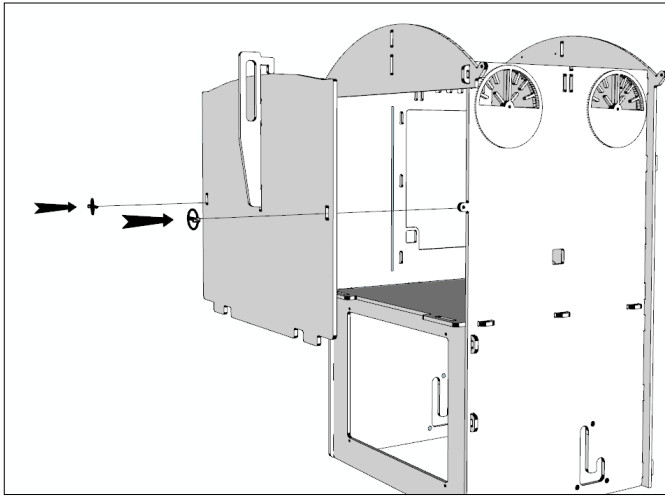
10, Fit the Front Wall (patterned face outermost) to the end with the double-hole lugs using 18 x Pi Clips.



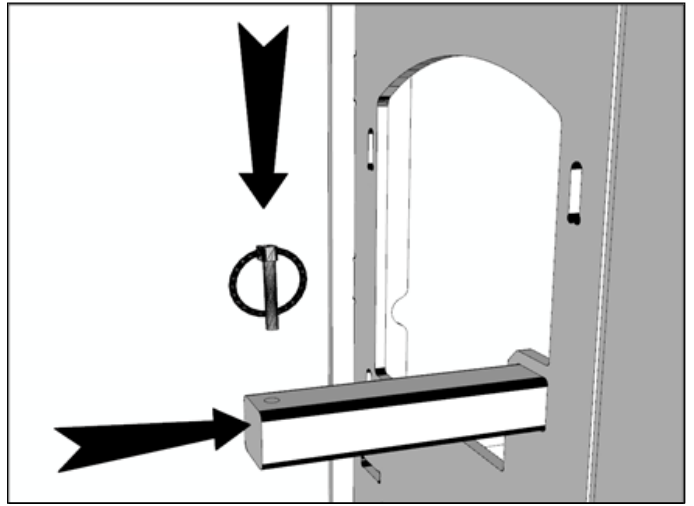
11, Fit the Upper Back Wall to the top two lugs using 2 x Pi Clips.



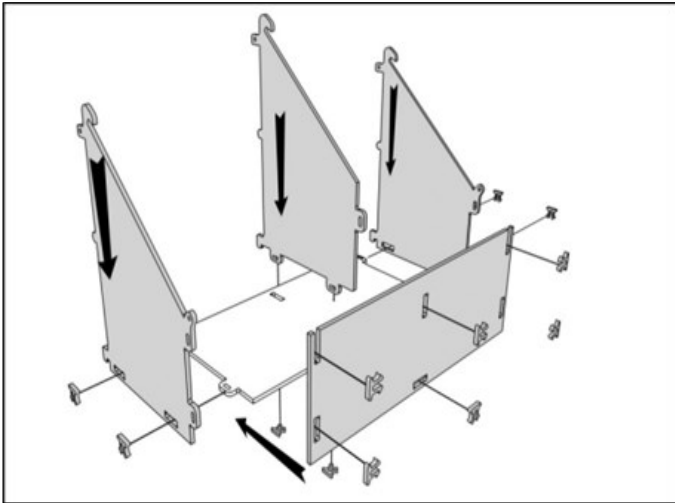
12, Fit the Back Door Handle to the textured side of the back door using 2x Pi Clips. The L shape Hook on top of the handle denotes the top.



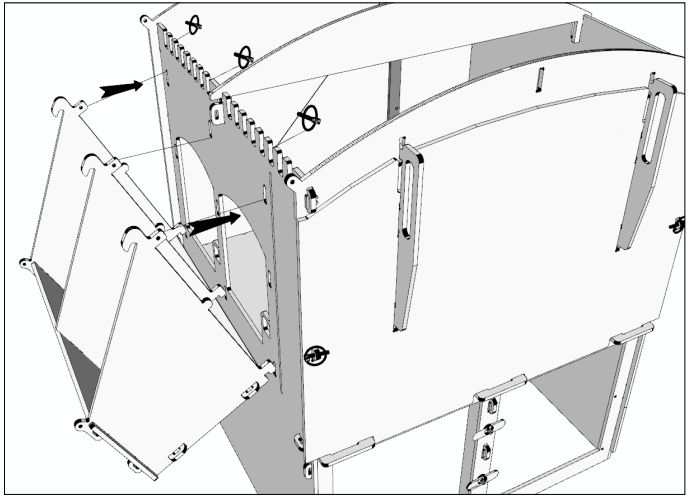
13, Fit the Back Door using 2x Linch Pins. (When fitting, first rest the bottom of the Back Door in the slots in the Base, then push the door onto the lugs, and slide the Back Door Handles downwards. Secure it with Linch Pins



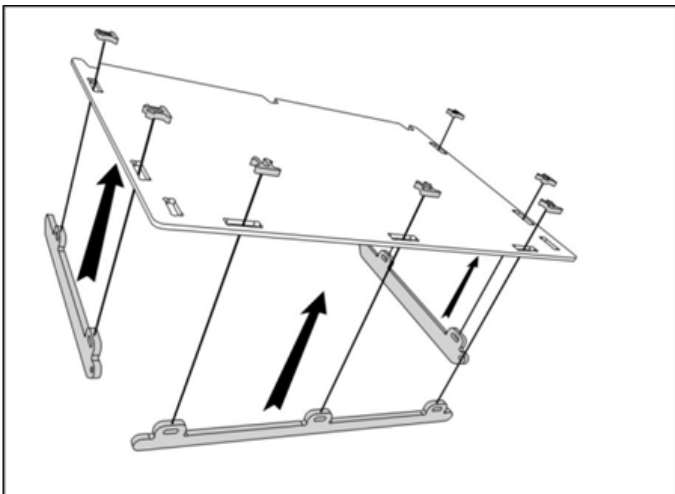
14, Slide the Perches through the Left and Right Side Walls and secure with Linch Pins at both ends.



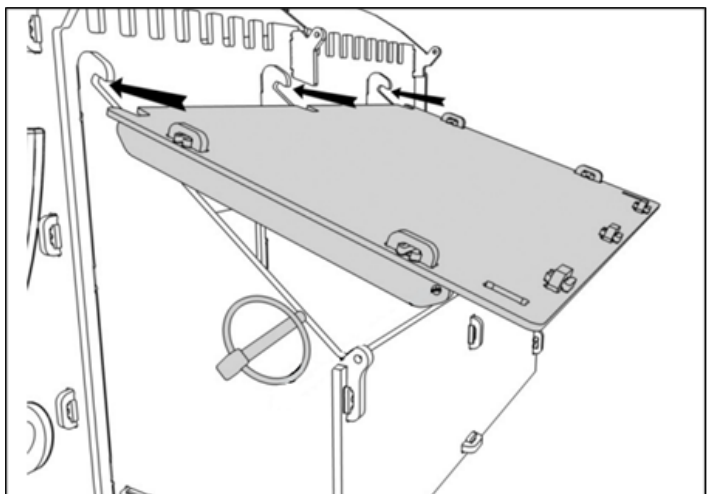
15, Fit the Nest box End Walls and Nest Box Divider to the Nest Box Floor, then add the Nest Box Front Wall, all using 12 x Pi Clips.



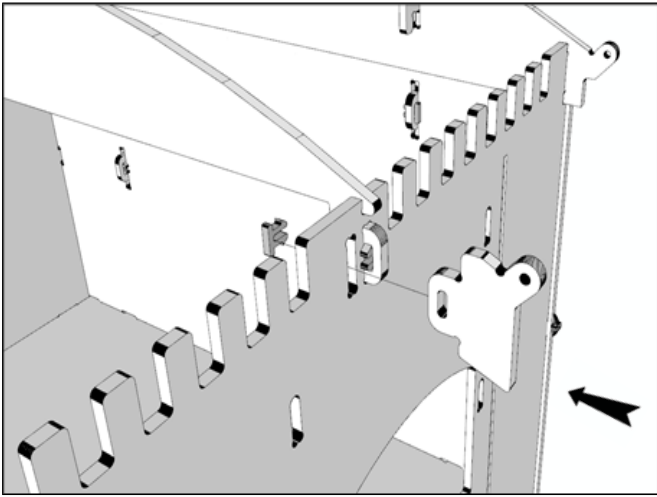
16, Fit the nest box to the house by first inserting the L-lugs into the lower holes on the Right Side Wall, then tilting the nest box to push the three upper lugs through their holes, before securing them inside the main house with 3x Linch Pins.



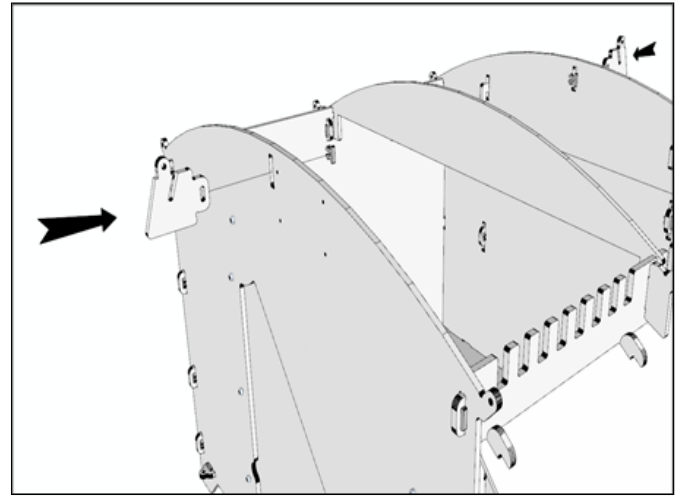
17, Fit the Nest box Front Brace and the two Nest box Side Braces to the Nest box Lid, which should have its patterned side upwards, using 7 x Pi Clips.



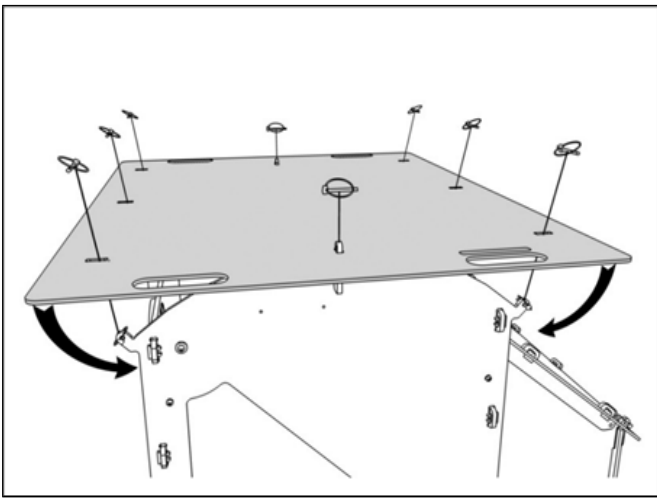
18, The Nest Box Lid simply slides upwards so that the cutouts fit into the recesses in the vertical panels. It is secured with 2x Linch Pins.



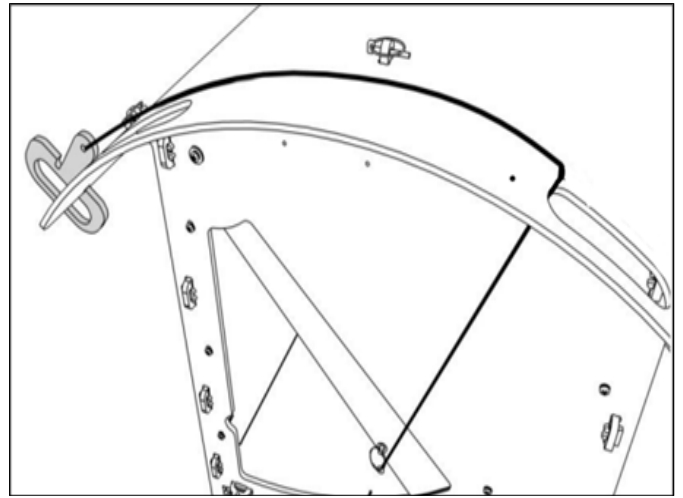
19 , Fit two Side Roof Retainers, one on each side wall, using 1 x Pi Clips.



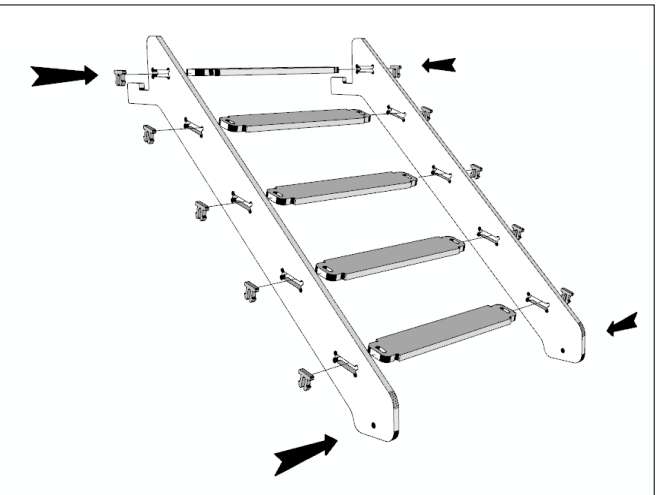
20, Fit End Roof Retainers to the Front Wall and Upper Back Wall using 1 x Pi Clips.



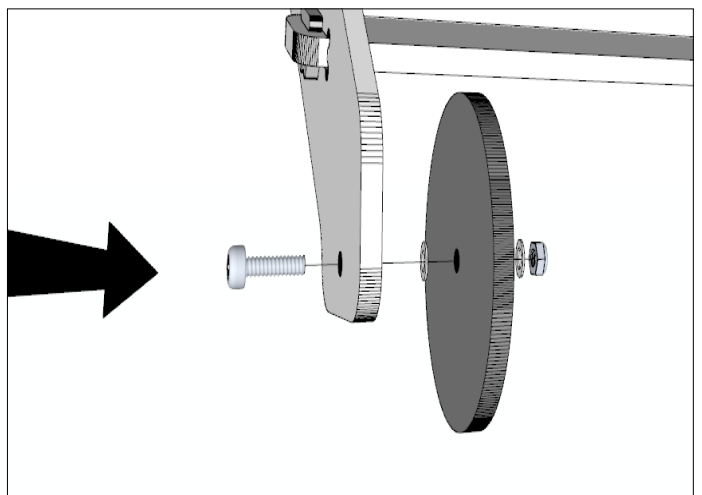
21, Fit the Roof using Linch Pins. Fix the center first, then bend the sides down over the remaining lugs.



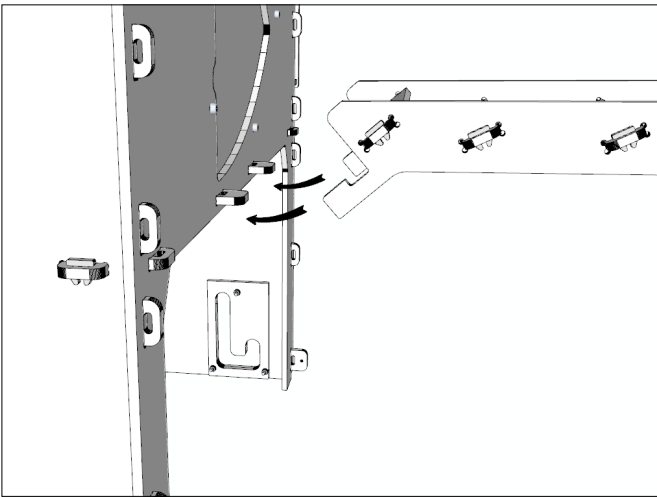
22, MANUAL DOOR ONLY: Tie one end of the Cord to the Split Ring in the Front Door and the other to the small hole in the Door Handle. The Cord should pass through the handle slot. Adjust the length of the cord so that, when the door is fully raised, the handle just hooks onto the edge of the opposite handhold or the roof edge .



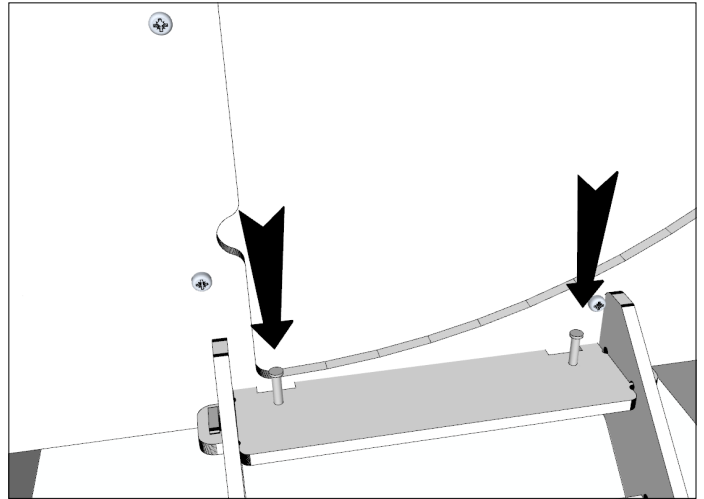
23, Fit the steps into the Ladder sides , Using the 10 x Pi Clips the step with two cutouts is the top step. This is to be fitted near the L shape hook on the side ramp wall.



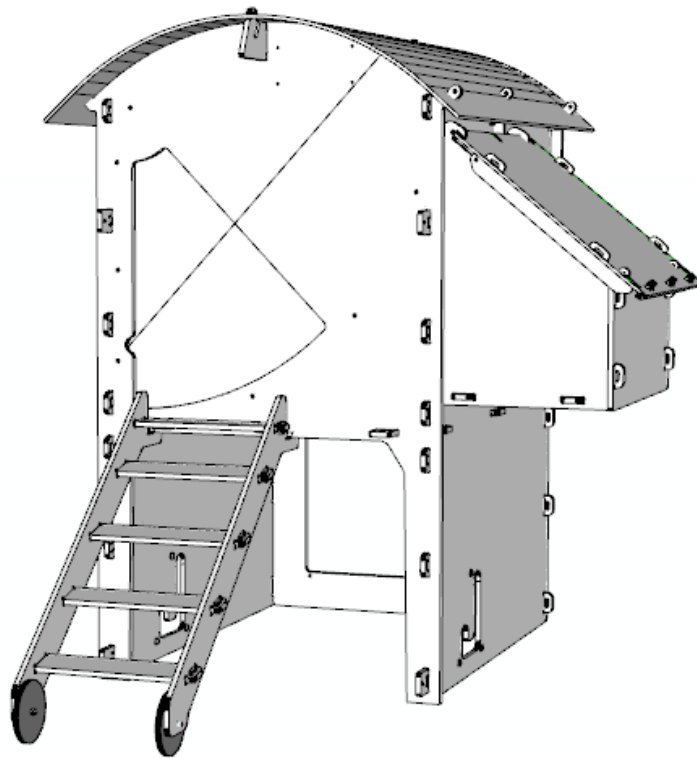
24, Fit the Buffer Wheels to the inside ladder walls. Using 1x 30mm Screw , 1x standard washer then Buffer Wheel followed by another standard washer and 1 x nylock nut. Repeat for other side. Tighten until the Buffer Wheel spins freely.



25, Fit the Ladder by sliding the L shape hook under the coop and the top step sitting on top of the two lugs with holes.



26, When the Ladder is in position push the two 25mm clevis pins into the holes that are provided.



Completed Large Raised House

INSTRUCTIONS FOR USE

The Chicken house should be sited in a sheltered area with the front facing away from prevailing winds. Vents should be adjusted to provide good ventilation.

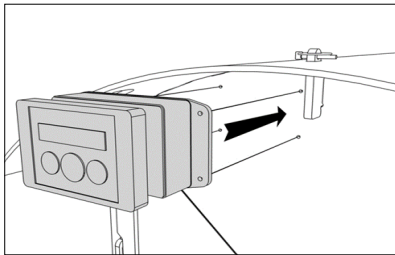
The rear door can be used for inspection, and regular cleaning. For thorough cleaning and replacing of bedding, the entire roof can be removed.

This Chicken house is designed to be moved by two people, using the handholds cut into the roof.

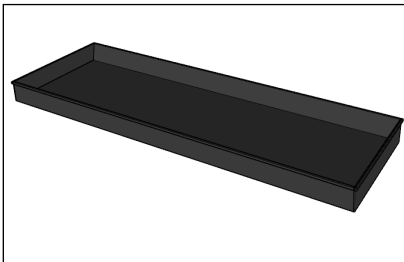
We recommend thorough cleaning at least every 3 months – a pressure washer is ideal for removal of caked on dirt, but an ordinary hosepipe and scrubbing brush will do. The plastic is quite easy to clean. Finish by applying Poultry Shield (or similar) and leave to dry.

For protection against red mite, we recommend sprinkling a little diatomaceous earth (Diatom powder) around the house, particularly the joints, each time bedding is refreshed.

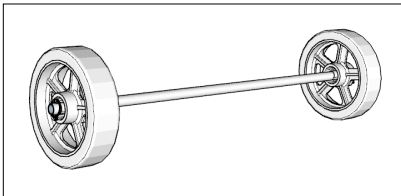
Accessories for your chicken coop



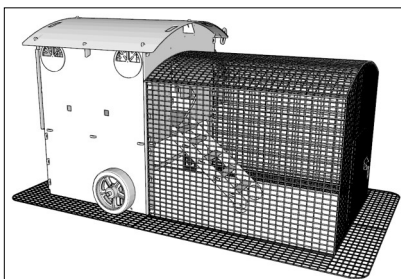
The Chicken guard automatic door opener attaches to the front of your chicken coop, allowing you to set a time for opening and closing the door for when it suits you.



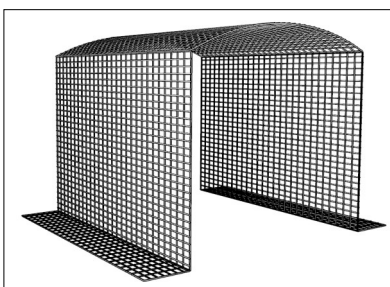
If you use shavings as bedding material, we recommend that you use droppings trays to contain the shavings. They will keep the shavings dryer, and make cleaning the house simply a matter of removing the trays and tipping the shavings onto your compost heap.



Add a wheelset to your chicken coop this allows one person to move the coop around your garden with ease.



To complete your raised chicken house attach our chicken run for your chickens to run hassle free.



Give your chickens extra room to run around with our run extension kit, easily attaches to your existing run.

