

A Guide to

NESTERA



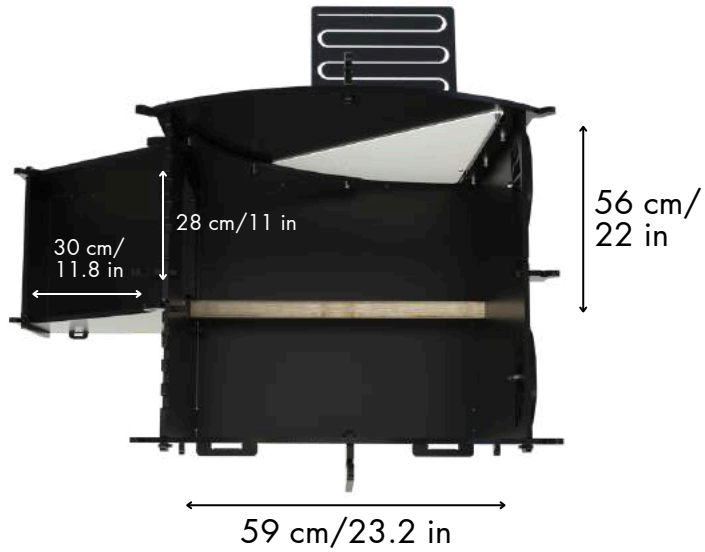
Coop Dimensions



THE HOUSE

Small

NESTERA



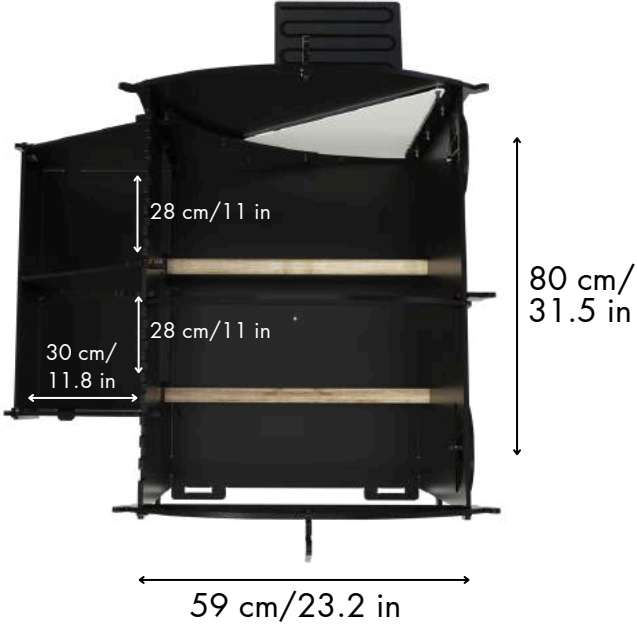
1 Perch
1 Nestbox



THE HOUSE

Medium

NESTERA



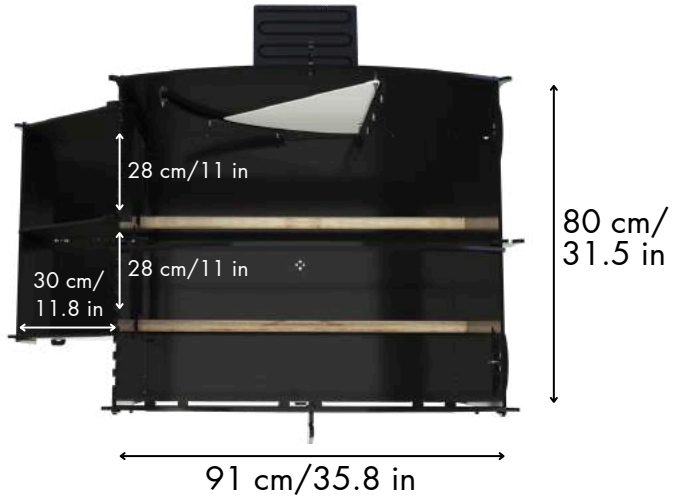
2 Perches
2 Nestboxes



THE HOUSE

Large

NESTERA



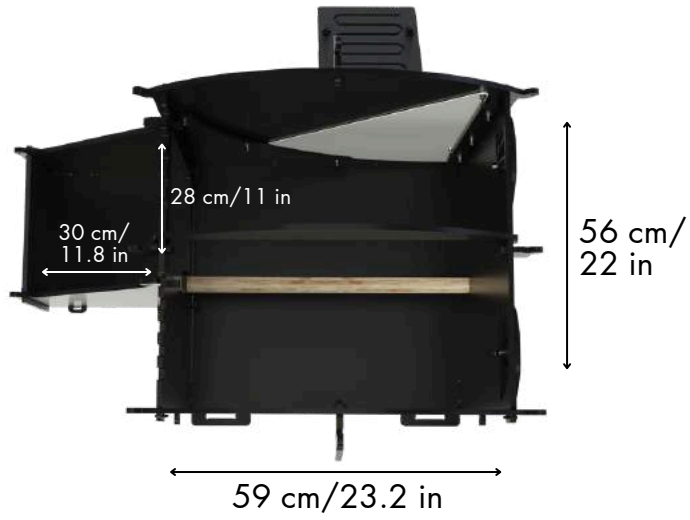
2 Perches
2 Nestboxes



THE LODGE

Small

NESTERA
→



1 Perch
1 Nestbox



THE LODGE

Medium

NESTERA
→



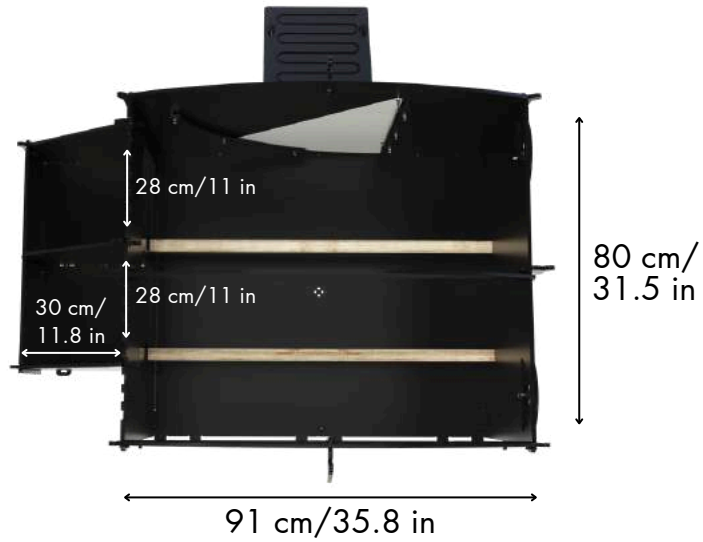
2 Perches
2 Nestboxes



THE LODGE

Large

NESTERA
→



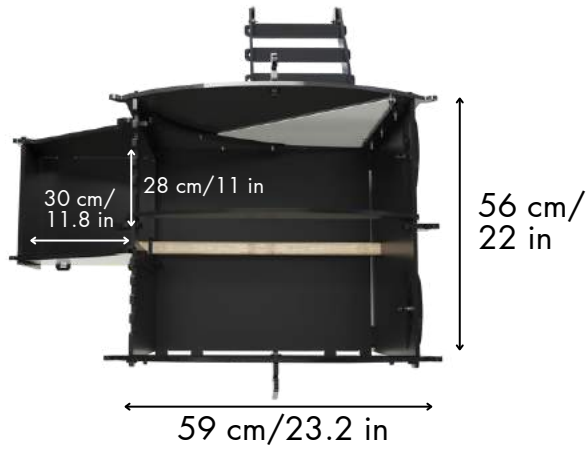
2 Perches
2 Nestboxes



THE PENTHOUSE

Small

NESTERA
→



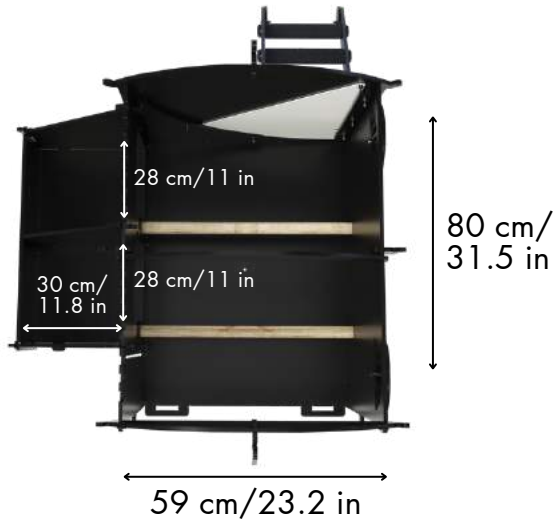
1 Perch
1 Nestbox



THE PENTHOUSE

Medium

NESTERA
→



2 Perches
2 Nestboxes



THE PENTHOUSE

Large

NESTERA
→

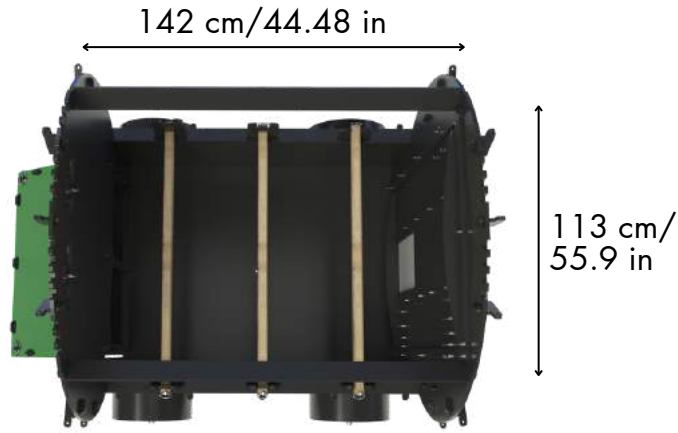


2 Perches
2 Nestboxes



The WAGON

NESTERA
→



3-Tiered Perch System
(3x85.8cm/3x33.8in)
each

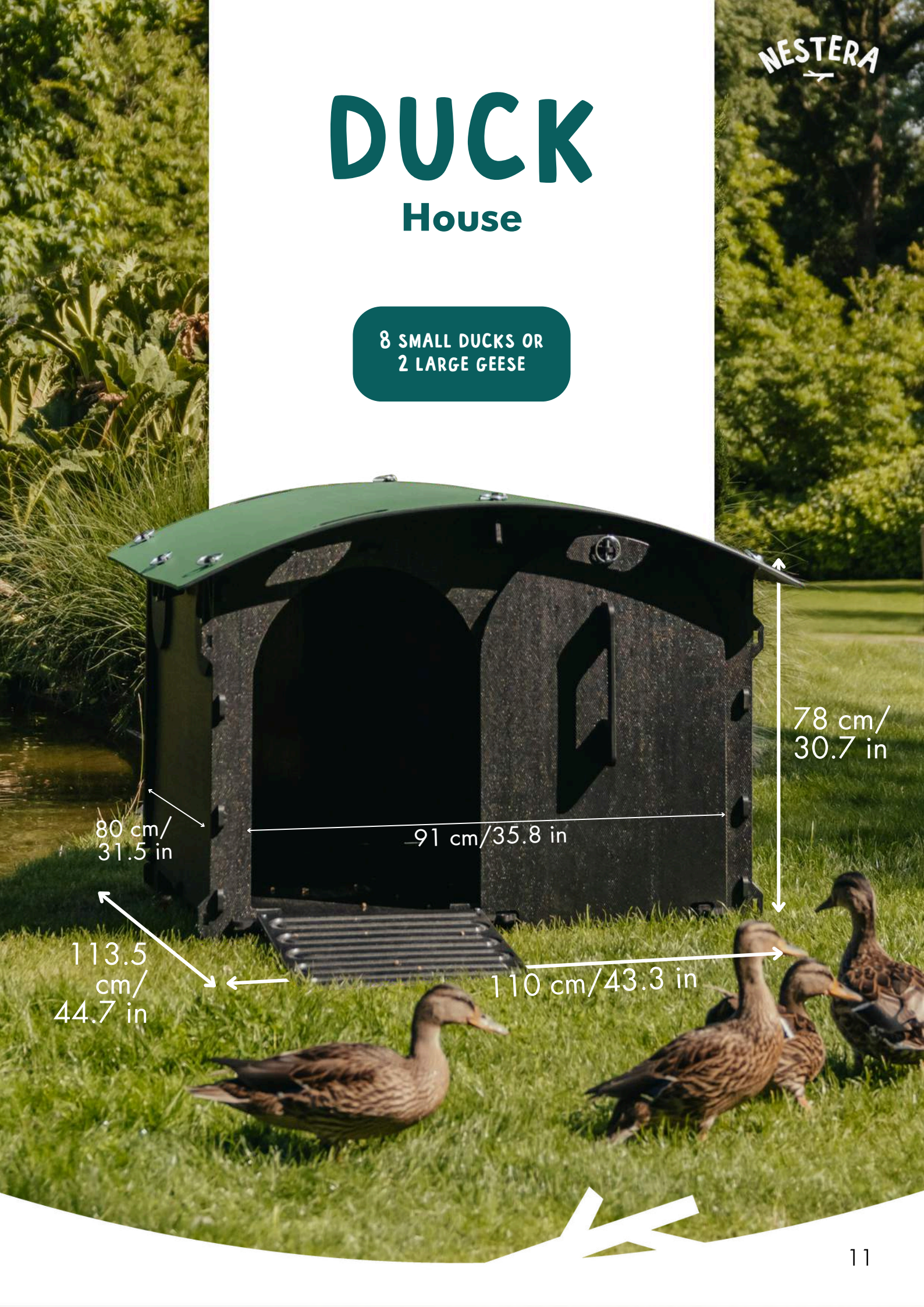
2 Nestboxes (31.9x30cm/
11x11.8in) each



DUCK

House

8 SMALL DUCKS OR
2 LARGE GEESE



78 cm/
30.7 in

80 cm/
31.5 in

91 cm/35.8 in

113.5
cm/
44.7 in

110 cm/43.3 in