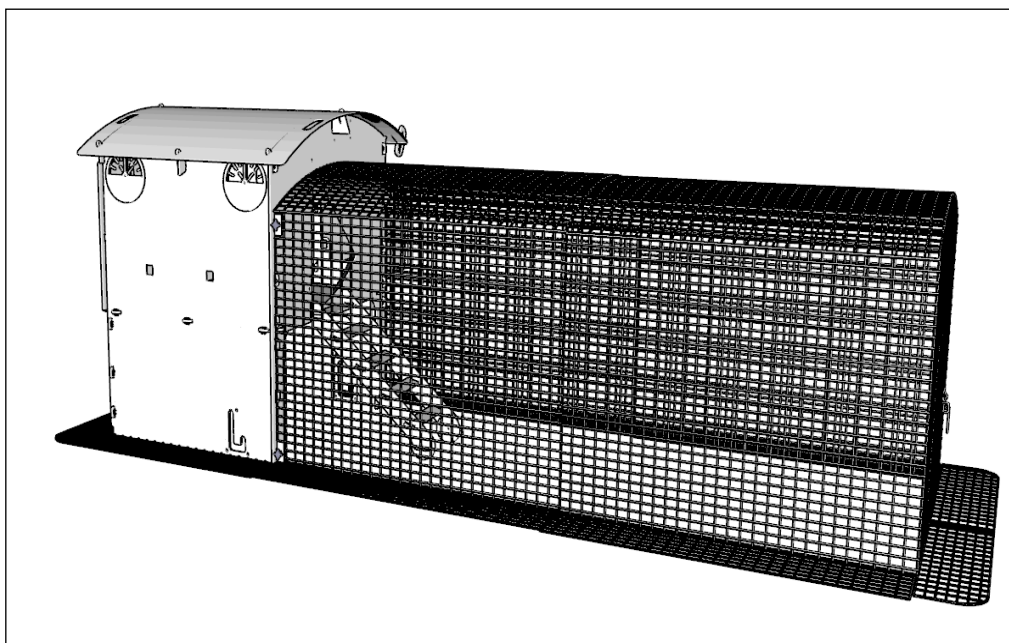
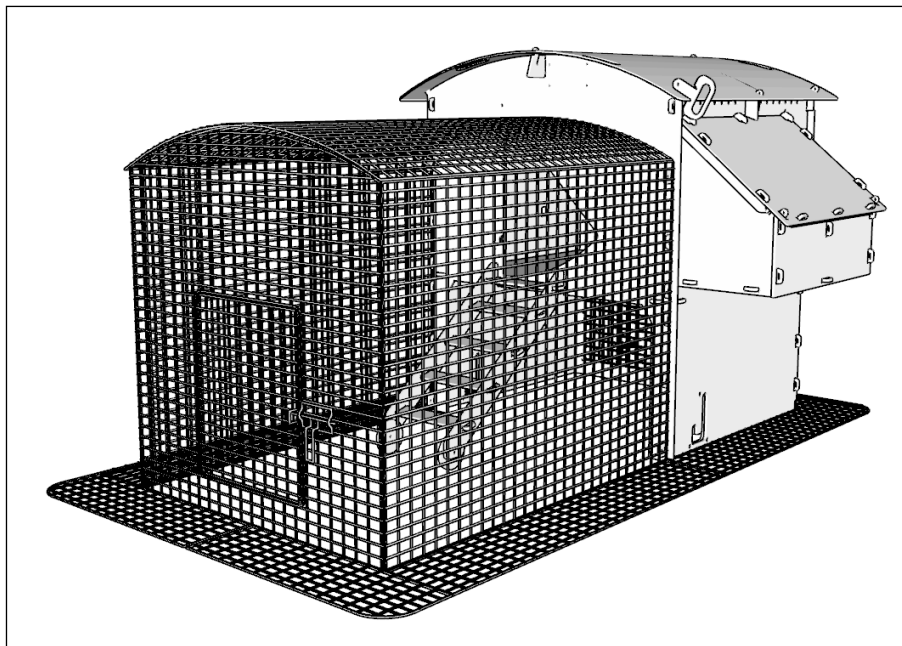


NESTERA



Chicken run and extension kit assembly



Version 1.0

Chicken run / Extension kit components

Panel 1. Side wall

Panel 2. Front door

Panel 3. Roof (curved panel)

Panel 4. Side mud skirt left/right hand

Panel 5. Front mud skirt left hand

Panel 6. Front mud skirt right hand

Panel 7. Rear mud skirt left hand

Panel 8. Rear mud skirt right hand

Panel 9. Back door panels

Fixing pack for chicken run



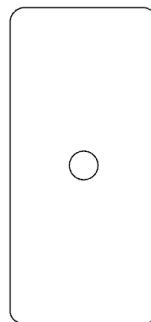
30mm Screw

Qty 4



Run fixing nut

Qty 4



Run fixing plate

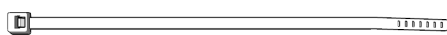
Qty 4



Cable ties

Qty 65

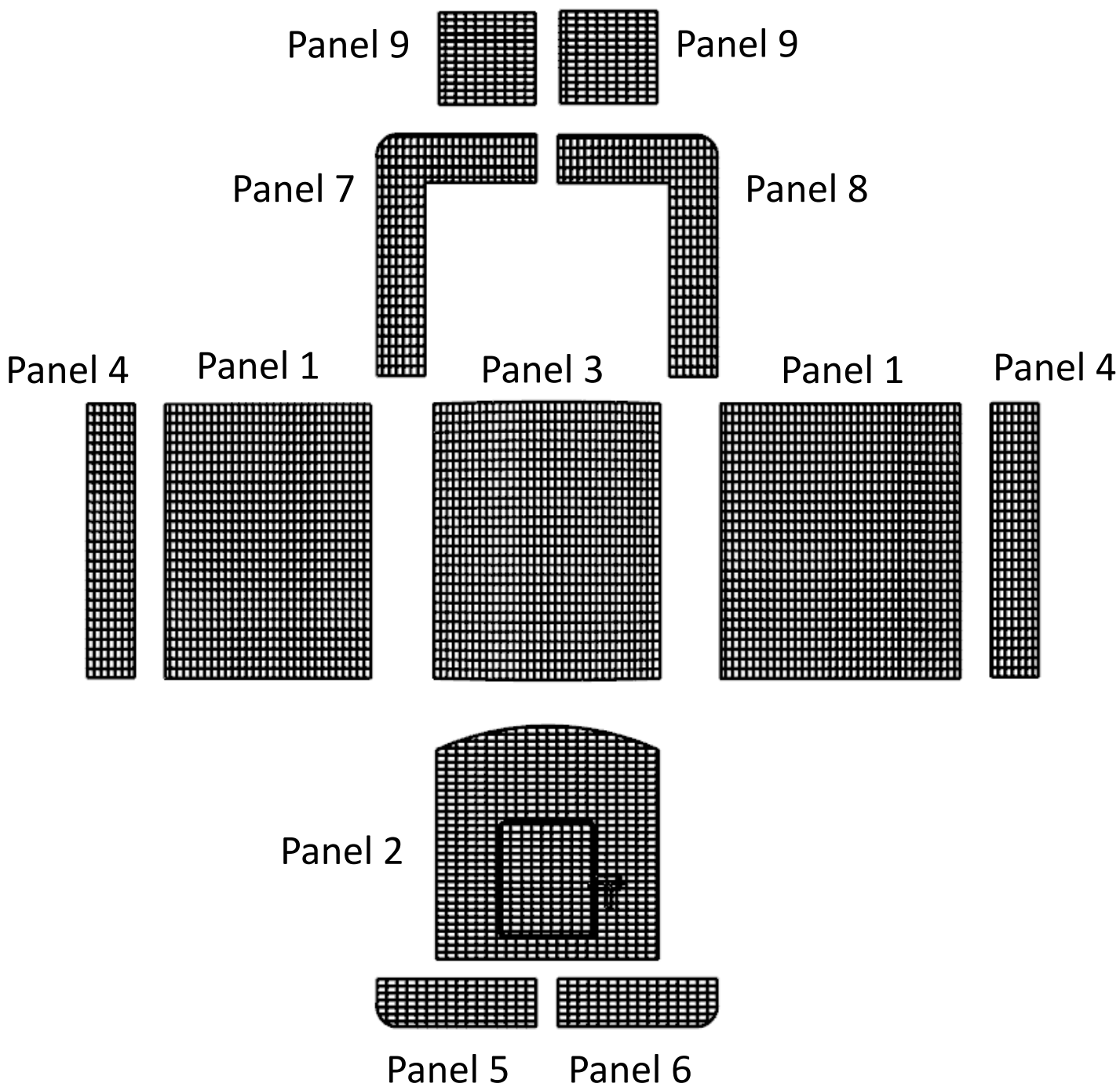
Fixing pack for Extension kit



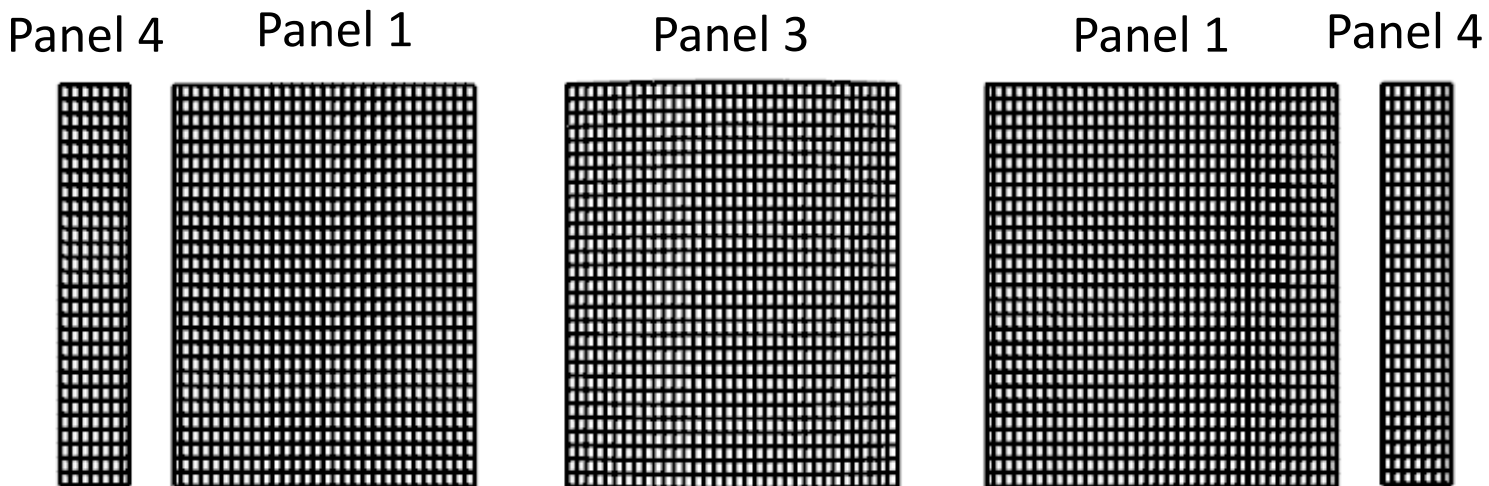
Cable ties

Qty 40

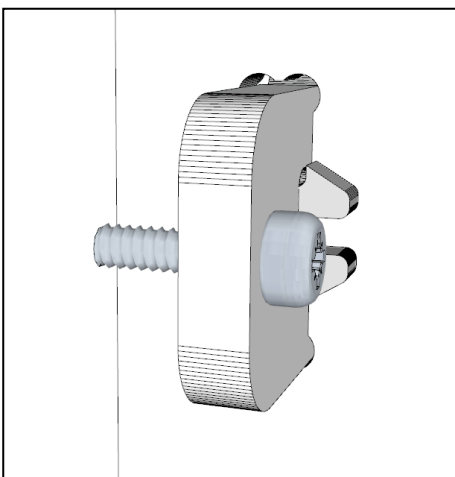
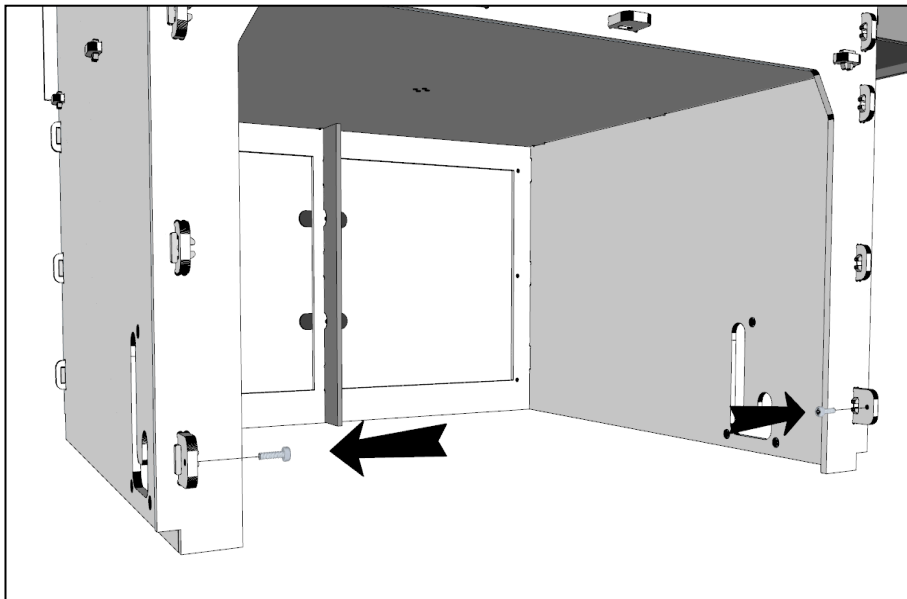
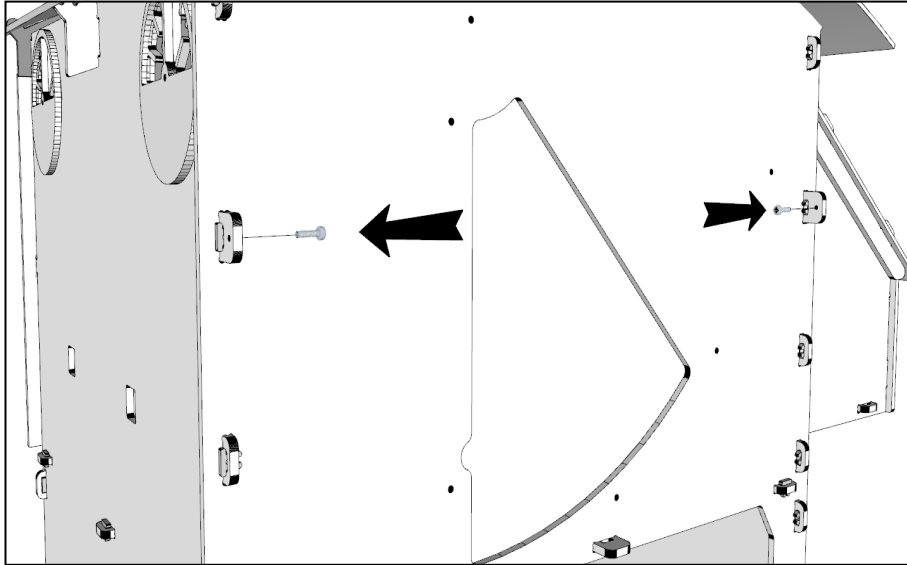
Chicken run



Extension kit

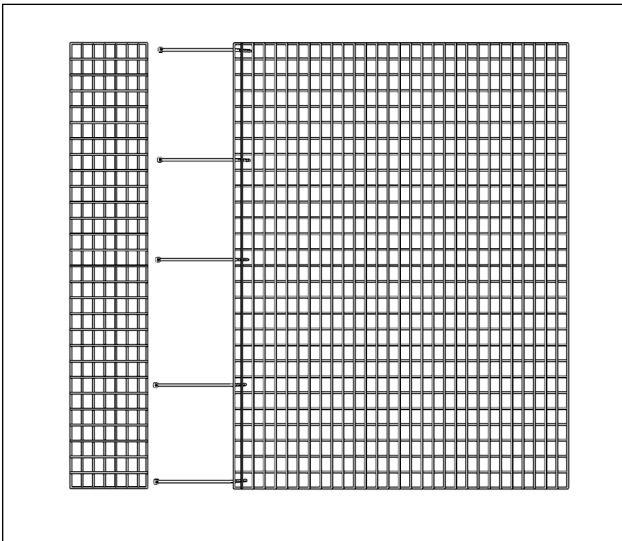


Chicken run assembly

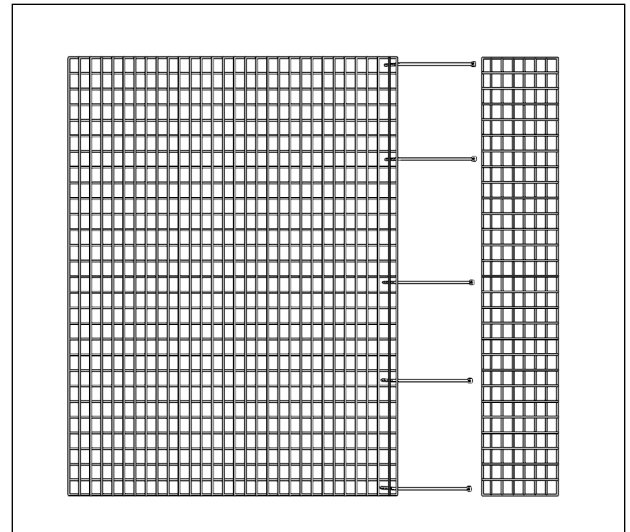


1

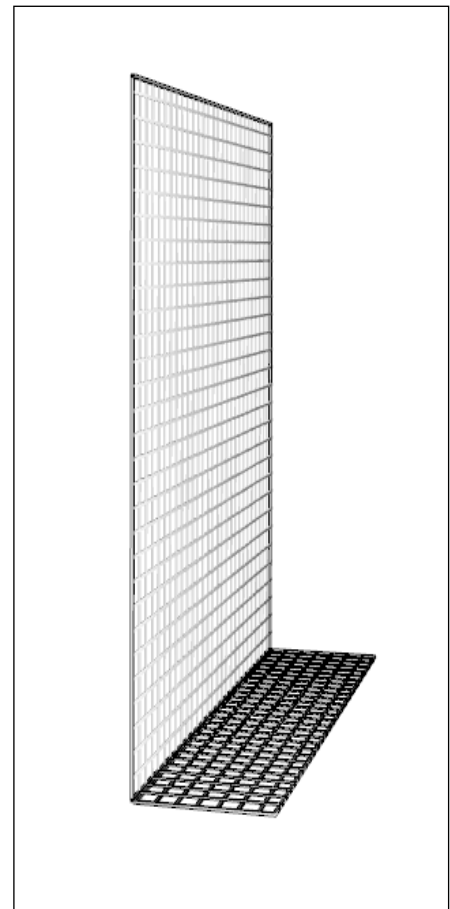
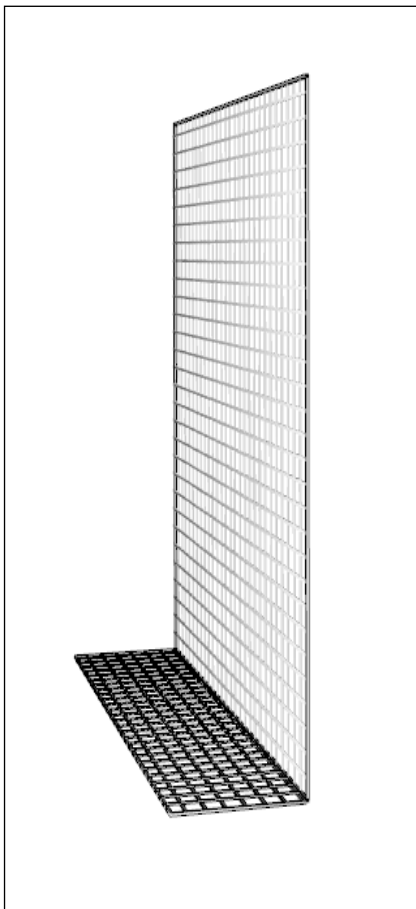
Fit the 30mm screws to the 4 large lugs on the front of the coop using a Phillips screw driver.



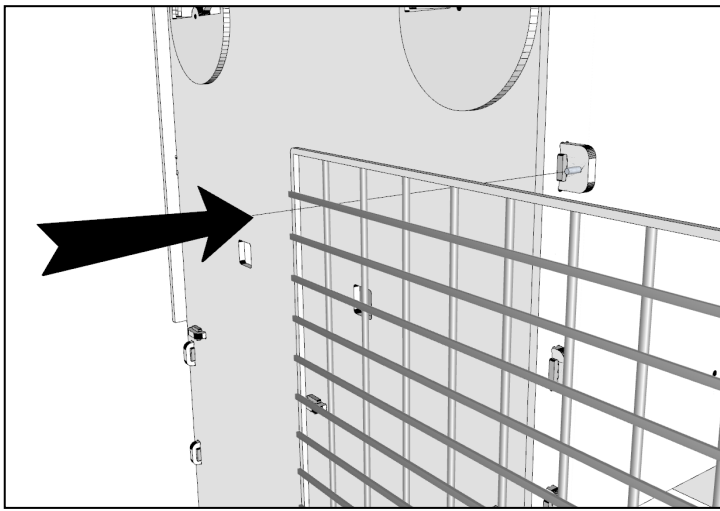
2 Connect the side mud skirt left hand side and side wall left with 5 cable ties.



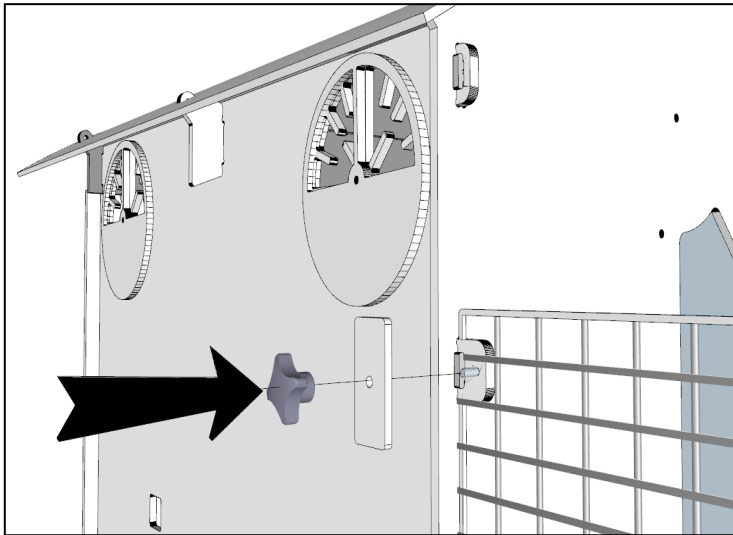
3 Connect the side mud skirt right hand side and side wall right with 5 cable ties, cut all excess off from the cable ties with scissors .



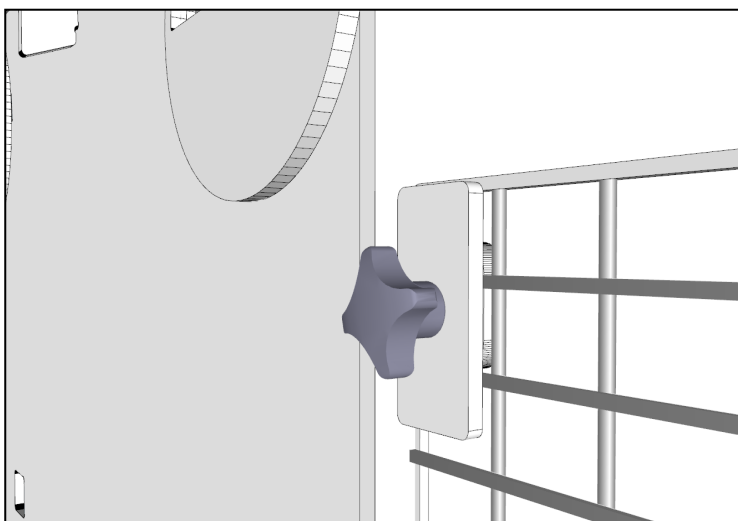
The left and right side walls will end up in an L shape ready to attach to your raised house.



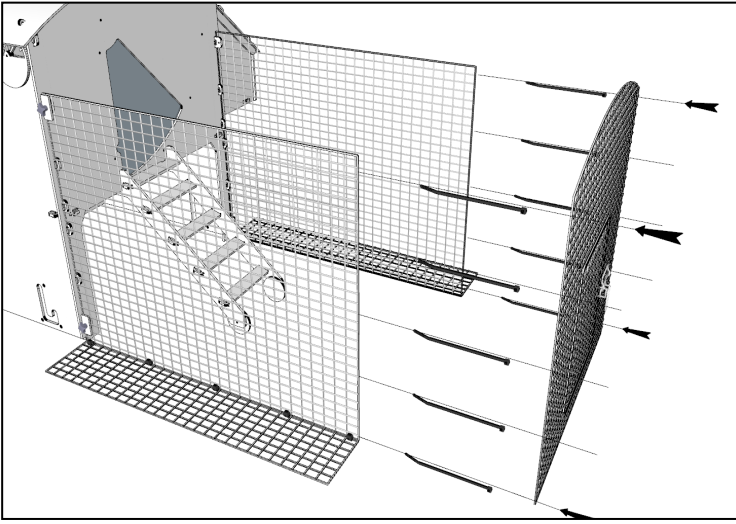
4 Fit the left and right side mesh over the 30mm screws either side of the coop.



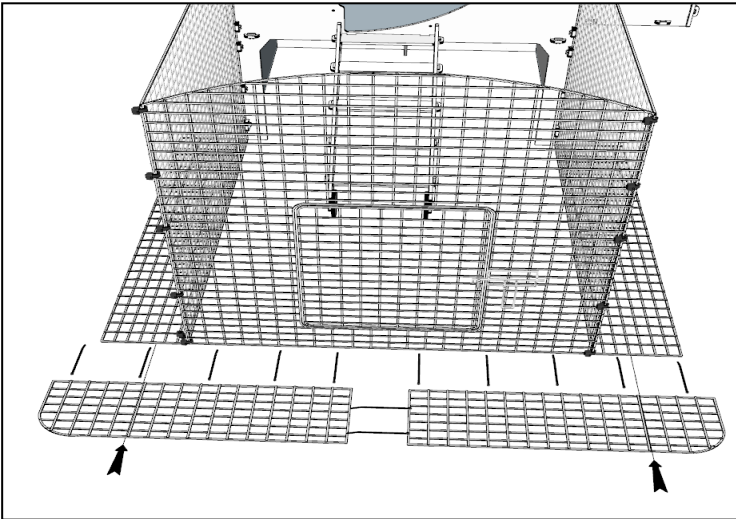
5 Attach 1 run fixing plate over the 30mm screw on the outside of the mesh.



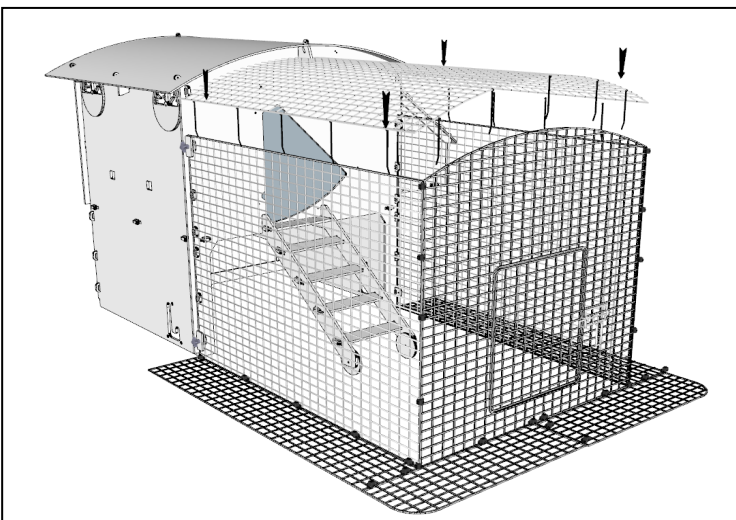
6 Tighten the run fixing nut over the top of the fixing plate, repeat on the other 3 corners.



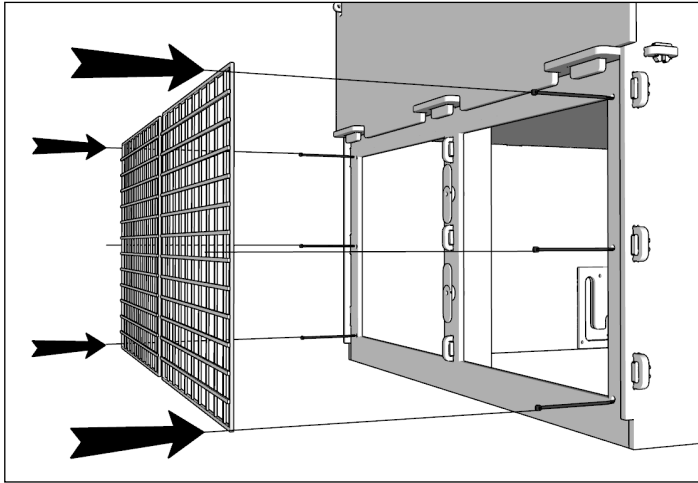
7 Attach the front door to the left and right side walls using 10 cable ties.(5 either side)



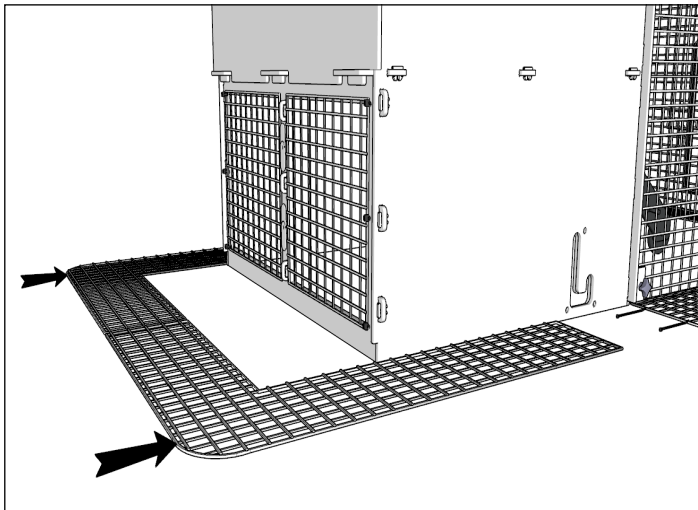
8 Fit the front mud skirts to the front door and side mud skirts using 5 cable ties on each side.



9 When fitting the roof you may need help holding the roof in place while you attach the cable ties. Use 5 cable ties per side of the roof.

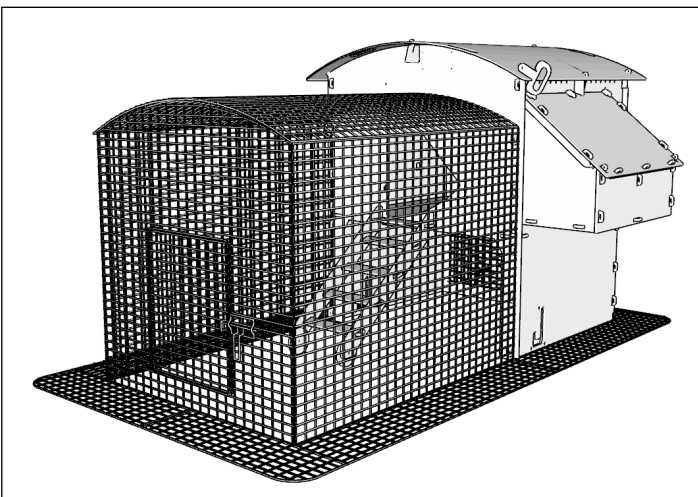


10 Attach the coop back door mesh using 3 cable ties on opposite sides of the doors. Using the locking lugs to lock the doors into place.



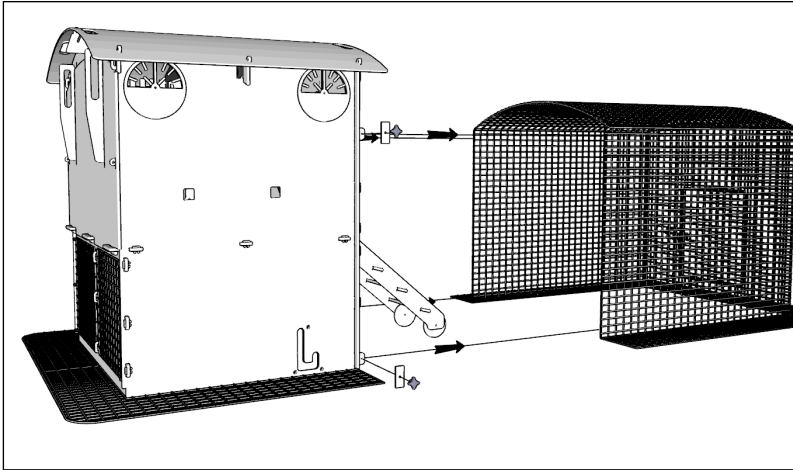
11 Slide the rear mud skirts to the back of the coop and attach to the side mud skirt with 2 cable ties at each joint. There should be 6 cable ties used for this part 2 either side and 2 to join the rear mud skirts to them self's.

Note if you have the wheel set there is no need to cable tie the rear mud skirt to the side mud skirt. As the wheels act as an anchor point for this.

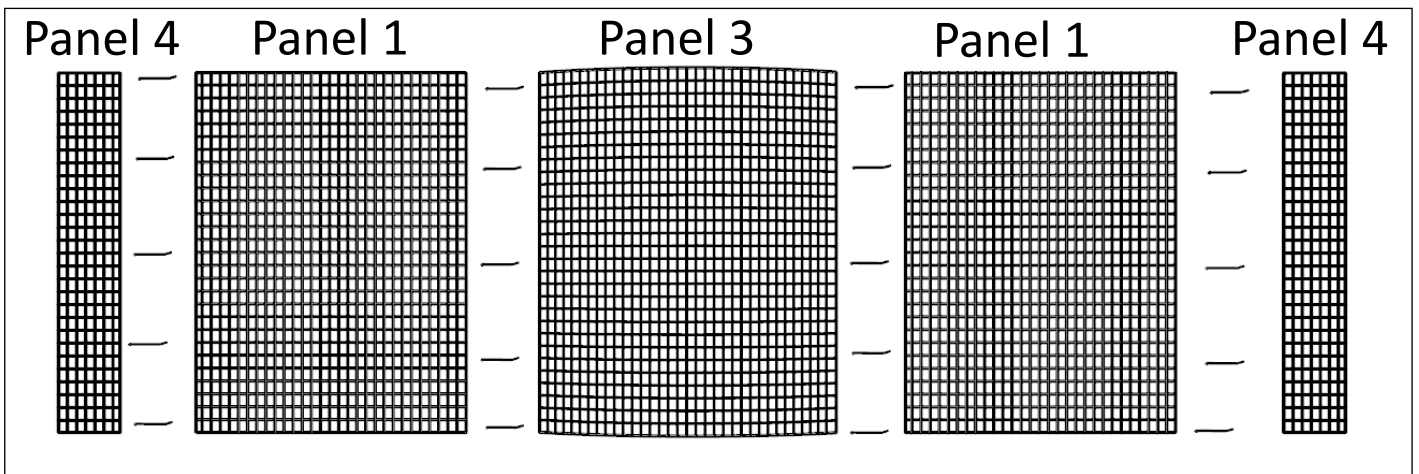


Your chicken run is now ready to be used.

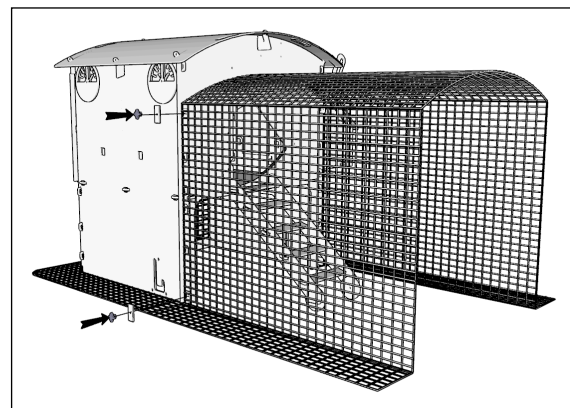
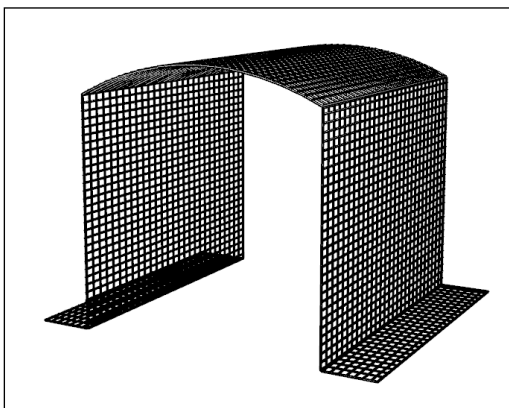
How to attach your extension kit



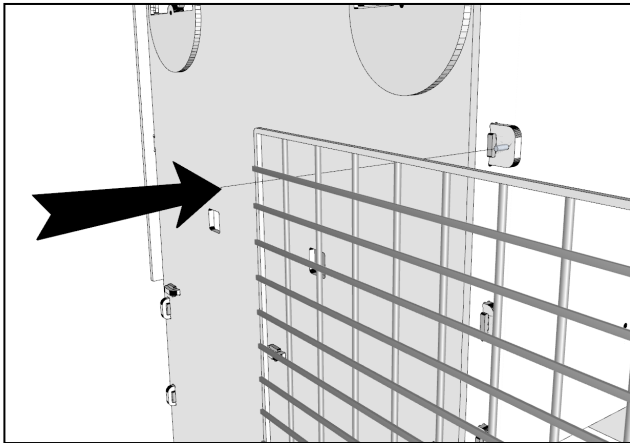
1 Unscrew and remove the run fixing plates from all four corners of your coop, slide the run away from the coop ready for fitting later on.



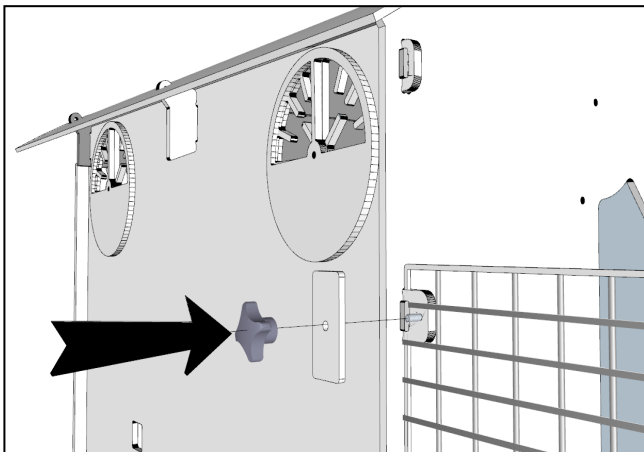
2 Lay out your extension kit on the floor as in the picture. Attach the long edges with 5 cable ties on each side.



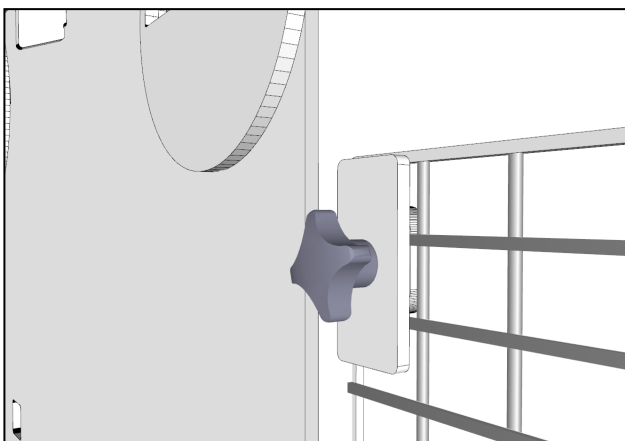
3 Lift the extension kit up and carry to the coop. This can be done by one person but we suggest 2.



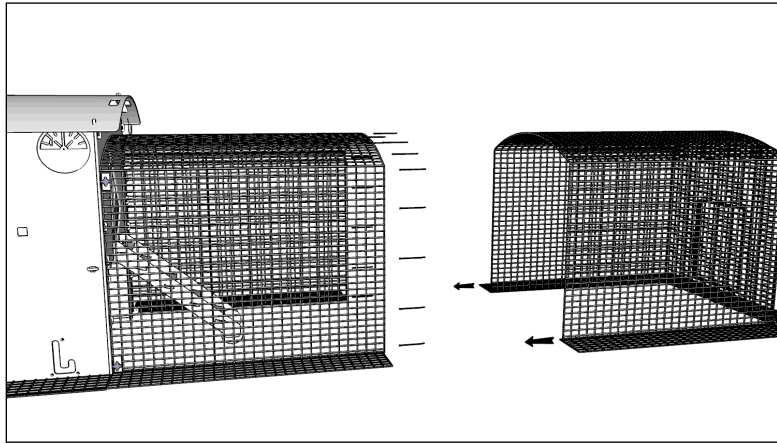
4 Fit the extension kit over the 30mm screws either side of the coop.



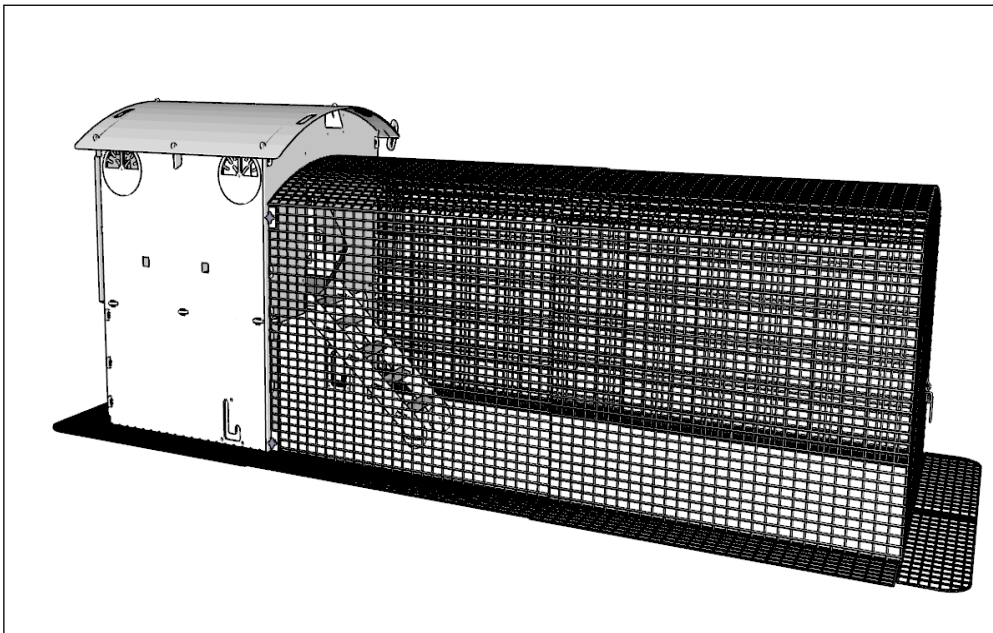
5 Attach 1 run fixing plate over the 30mm screw on the outside of the mesh.



6 Tighten the run fixing nut over the top of the fixing plate, repeat on the other 3 corners.



7 Slide your run onto the extension kit and attach using cable ties. 5 on the two sides and roof 2 cable ties on either side of the mud skirts.



Your extended chicken run is now ready to be used.

This product has been *Hot dipped galvanized* in a bath of molten zinc, which provides a corrosion-resistant layer that is effective in most climates. This is to protect the metal from rust if paint is chipped off.

