

**iDE  
nti  
TV**

# LEATHER APRON

GETTING STARTED



**iDE  
nti  
TV**

**Identity  
Leathercraft**

TOOLS  
LEATHER  
TEMPLATES  
PLANNING NOTES

THE IDENTITY STORE HOLT LANE MATLOCK DERBYSHIRE DE4 3LY  
TELEPHONE 01629 581403 EMAIL SALES@THEIDENTITYSTORE.CO.UK



# LEATHER APRON



## 1 Stitching Chisel

TYPICALLY USE 3MM (88045-) WITH 0.8MM WAXED THREAD (CODE 1227-)



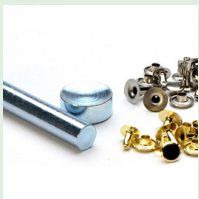
## 2 Stitching Awl

FOR OPENING UP STITCHING HOLES, FROM TOP AND BOTTOM AND ENSURING THE HOLES ARE STRAIGHT THROUGH THE LAYERS OF LEATHER



## 3 Hole Punch

A DRIVE PUNCH WILL ALLOW YOU TO PUT RIVET HOLES IN THE CENTRE AREA AT THE TOP OF THE POCKETS - USE EITHER SIZE 2 FROM THE 3003 MINI PUNCH SET OR 3777-01.



## 4 Rivet Setter

FOR SECURING (SETTING) THE RIVETS INTO THE LEATHER FOR A STRONG PERMANENT FIXING.



## 5 Double Sided Tape

VERY USEFUL FOR HOLDING SEAMS PRIOR TO MAKING STITCH HOLES



## 6 Needles & Thread

LARGE EYE STITCHING NEEDLES - 1195-00 FOR SADDLE STITCH, WITH 0.8MM WAXED THREAD (CODE 1227-)



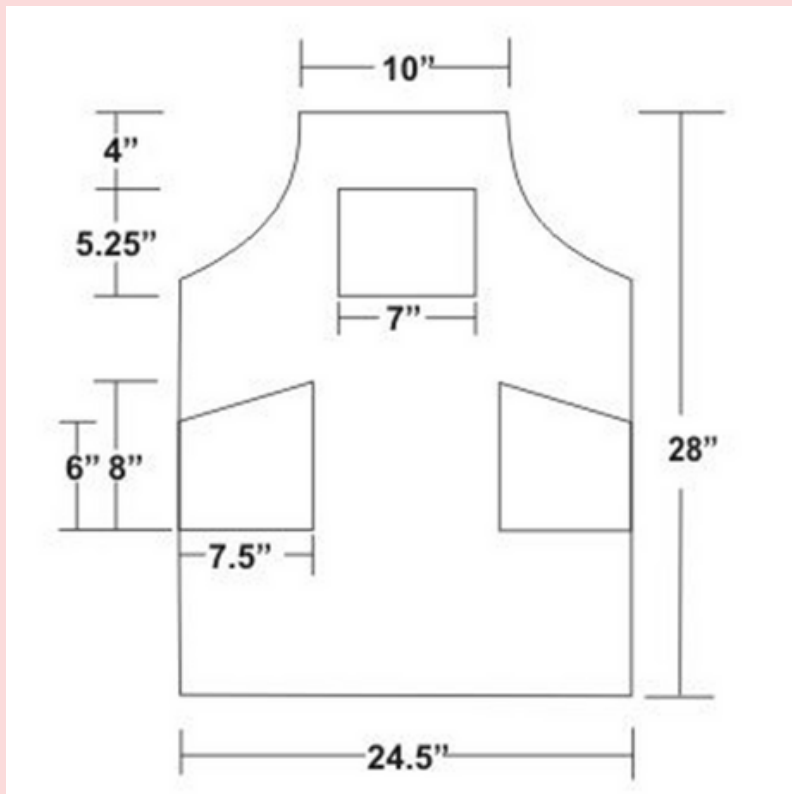
## 7 Contact Adhesive

FOR GLUING THE FIRM LEATHER TABS FOR THE STRAPS (OPTIONAL)



## MAKING UP YOUR TEMPLATE

Research some images – make a newspaper template and adapt to fit. Consider available leather pieces and work out if seams are needed



TIP – think about what you might be wearing before editing the final template – eg outside with a thick woolly jumper.

Watch our apron design video on YouTube

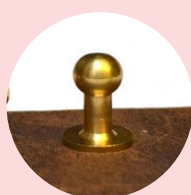


## LEATHER

Leather – The leather pictured in the photo is **Identity Soft Calf**, alternatively use 1.2-1.8mm veg tan side, Identity Oil Tanned Calf leather, or upholstery hide. You will need approx. 2 sq ft, depending on the size and design being used. You might also like a firm leather for the strap - a cut length of Identi

Note aprons for forge work will need to be made from a much heavier weight vegetable tanned side.

## OPTIONAL STRAP FASTENINGS



**SAM BROWNE**  
SMALL OR MEDIUM



**STRAP BUCKLE**  
1602-19MM BRASS



**DEES**  
FUZE TWO DEES TO  
ADJUST STRAP

# PLANNING NOTES



## Pockets and Clips

What are you using apron for – will you need pockets for a pen, calculator, tools, for keys (eg till)

This will help you decide on pocket arrangement and sizes and whether the addition of hardware such as spring clip or dee ring would be helpful.

What you put in will decide whether you need a rivet at the top of the stitching for example is there is a weighty item to go in.



## Straps

These can be fixed in place but it can be an idea to make adjustable to allow for changes in clothing..

Adjustments can be made either with a Sam Brown, two dees, a buckle, or even 'velcro'.



## Reinforced Areas

If you are using a lighter leather it can be a good idea to reinforce the top strap corners and the belt strap.

If you are using for heavy duty you might want to add reinforced panels of thicker leather for added protection eg: for spoon carving or flint knapping.

[WWW.IDENTITLEATHERCRAFT.COM](http://WWW.IDENTITLEATHERCRAFT.COM)



THE IDENTITY STORE HOLT LANE MATLOCK DERBYSHIRE DE4 3LY

TEL 01629 581403

EMAIL: SALES@THEIDENTITYSTORE.CO.UK