

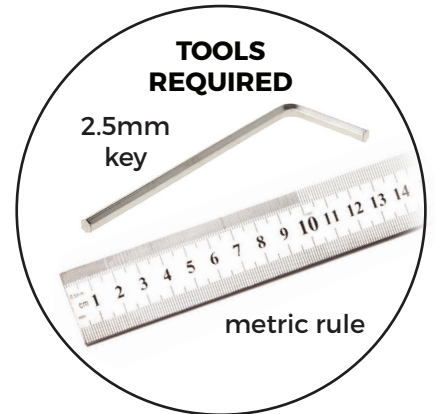
MODULAR MOUNT

This computer mount is adjustable in width and angle to allow a perfectly aligned mount in line with the stem. A range of screw-in modules are available separately (see www.76projects.com) for light, camera and other devices.

WHATS IN THE PACK?



- 1** Head mount Modular
- 2** Handlebar clamps 31.8 / 35mm
- 3** Computer insert
- 4** Spacers 2x3mm, 2x5mm



STEP ONE

Measure the widest part of the stem plate and choose how many spacers are required.

No Spacers = 36mm

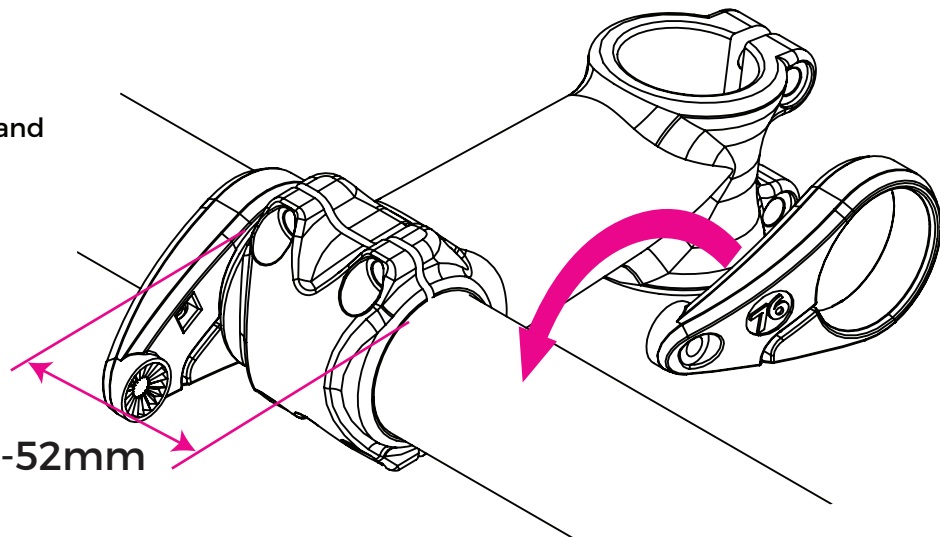
3 mm spacers = 42mm

5 mm spacers = 46mm

3&5mm spacers = 52mm

STEP TWO

Flex handlebar clamps over the handlebars.



36-52mm

STEP THREE

Fit spacers, head mount and side screws.

STEP FOUR

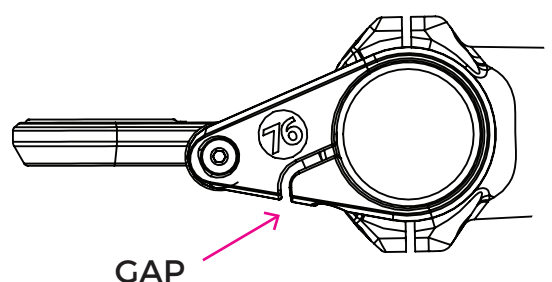
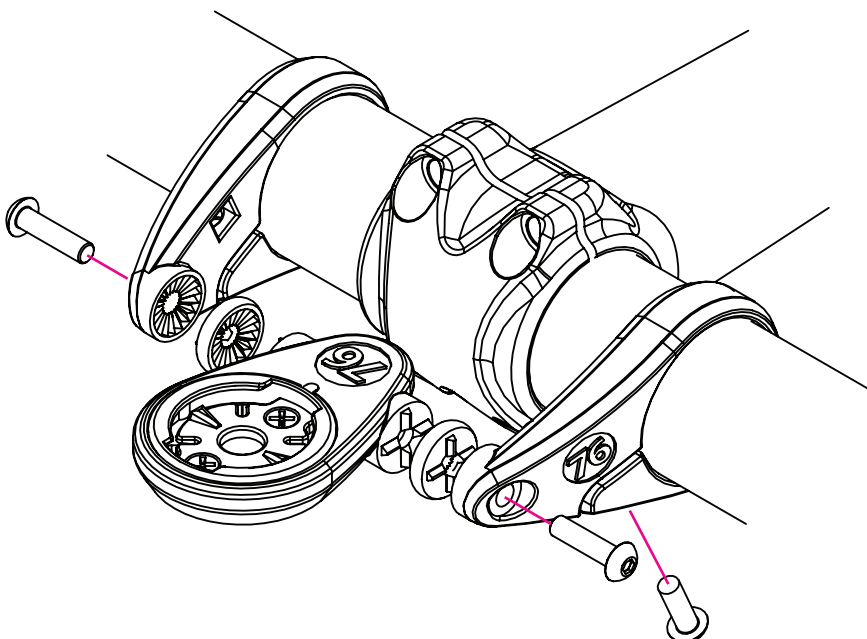
Install computer and align.

Tighten side screws.

STEP FIVE

Tighten clamp screws.

Leave a small GAP between the clamp.

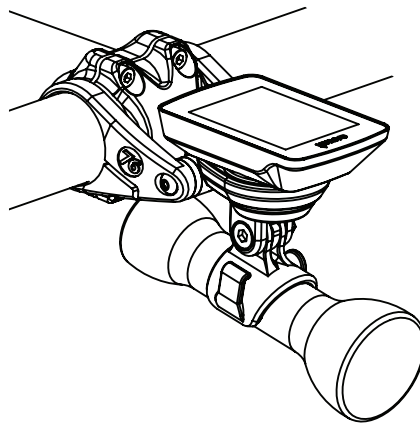
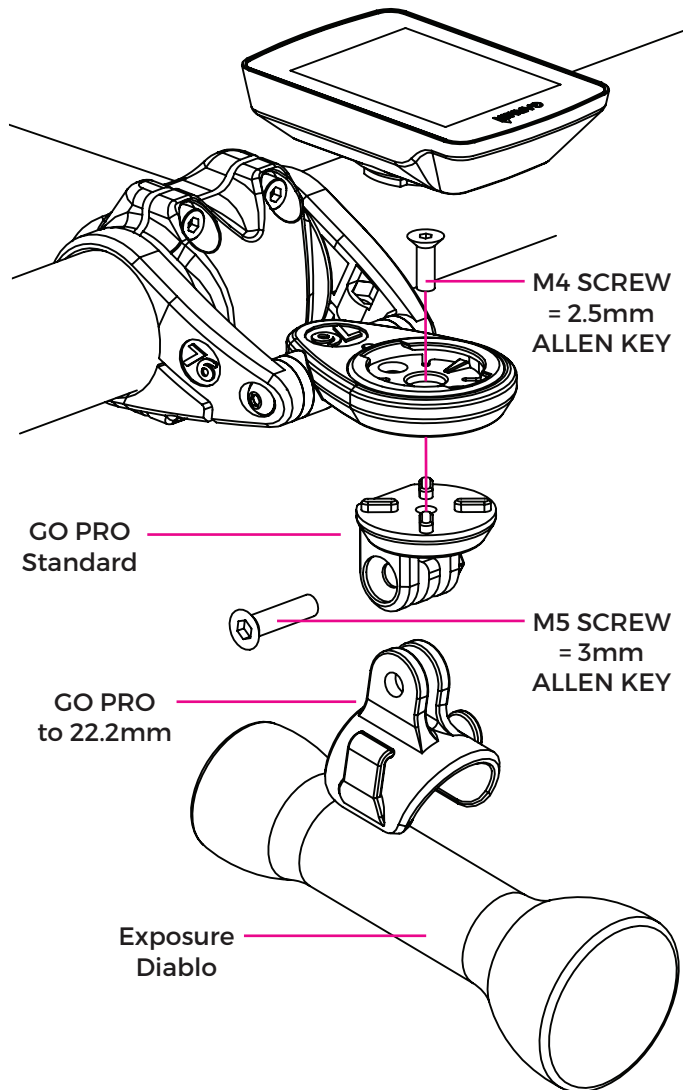


GAP

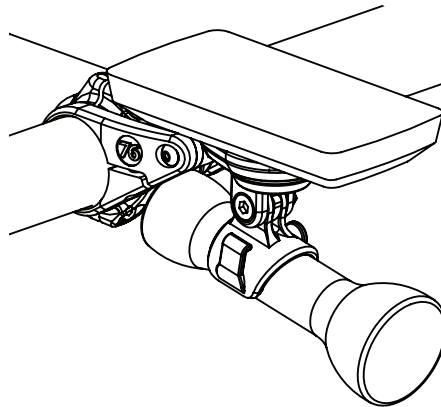
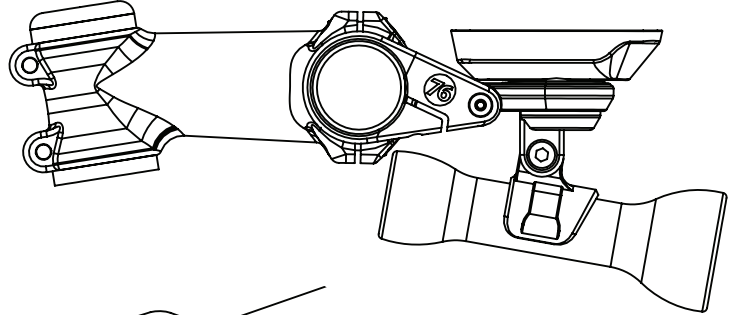
STEP SIX

To fit modules.

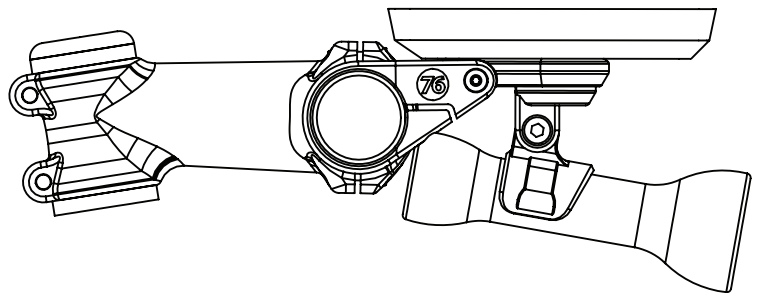
Install screws, plug in module,
adjust angles, tighten screws.



Garmin 500 series
& Exposure Diablo



Garmin 1000 series
& Exposure Diablo



EXAMPLES POSITIONS

OUT FRONT



ON TOP

