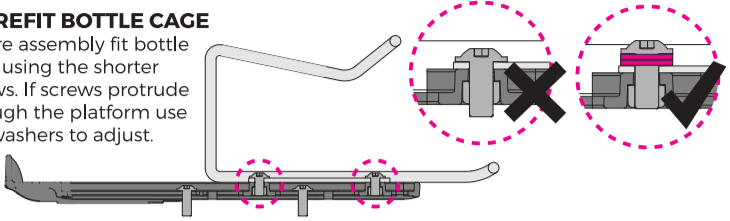


# FITTING

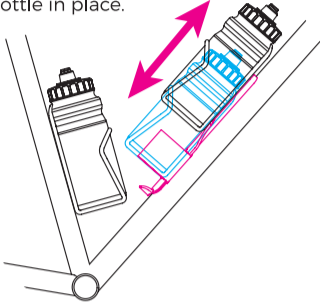
## 1 - PREFIT BOTTLE CAGE

Before assembly fit bottle cage using the shorter screws. If screws protrude through the platform use the washers to adjust.



## 2 - POSITION

Check fit and position with water bottle in place.



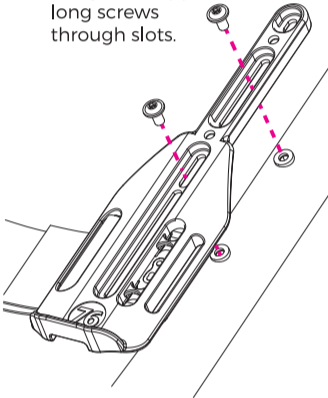
## 3 - SILICONE PAD PROTECTOR

Reposition silicone to suit position if required.



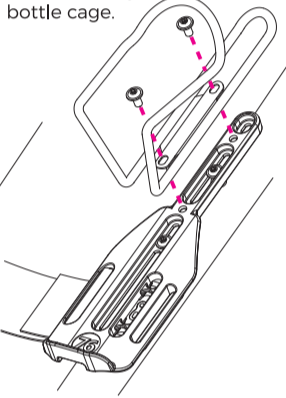
## 4 - FIT PIGGY

Remove bottle cage. Use a 3mm allen key to tighten supplied long screws through slots.



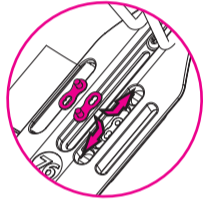
## 5 - FIT BOTTLE CAGE

Use a 3mm allen key to tighten supplied short screws through bottle cage.



## 6- INSTALL CHAIN LINKS

Fits 9,10,11&12 speed chain links only.



# USING STRAP

Use the supplied tool band to hold tube and tools together



## ADJUST CAPACITY

Open out the strap. Pull each end to suit contents.



## ALIGN STRAP

Thread strap through slot. Align 'HOOK' velcro with edge of the slot.



## TENSION STRAP

To ensure stability of contents keep constant tension of strap when wrapping over contents. This will remove any slack.



## COVER UP

Velcro should be completely covered to prevent mud and dirt clogging it up.

## CARE INFO

Periodically check screws and tighten if necessary.

Clean frame before attaching strap mount. Consider using frame protector tape if riding in extreme conditions.

Strap may be cleaned, using clean soapy water and allowed to drip dry only.