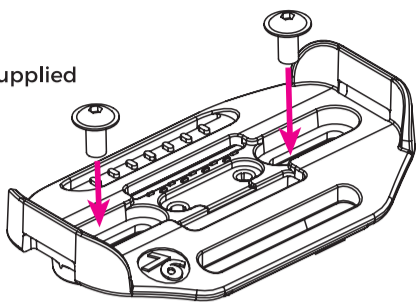
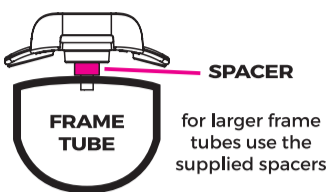


## DIRECT MOUNT

Use a 3mm allen key to tighten supplied screws through slots.



## STRAP MOUNT

### 1 - SILICONE PADS

Use a large flat head screw driver to gently push pads into slots.



### 2 - INSERT COATED STRAP

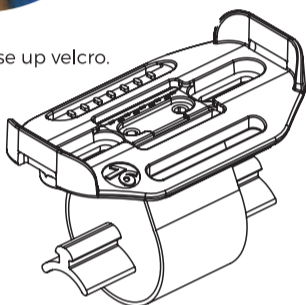
insert strap from the underside as shown

### 3 - ATTACH TO BIKE

Wrap strap around frame and insert into buckle. Apply pressure to platform, pull strap tight and close up velcro.



Cut strap to length or tuck into slot



## USING STRAP

Use the supplied tool band to hold tube and tools together



### ADJUST CAPACITY

Open out the strap. Pull each end to suit contents.

**ALIGN STRAP**  
Thread strap through slot. Align 'HOOK' velcro with edge of the slot.



### TENSION STRAP

To ensure stability of contents keep constant tension of strap when wrapping over contents. This will remove any slack.



### COVER UP

Velcro should be completely covered to prevent mud and dirt clogging it up.

### CARE INFO

Periodically check screws and tighten if necessary.

Clean frame before attaching strap mount. Consider using frame protector tape if riding in extreme conditions.

Strap may be cleaned, using clean soapy water and allowed to drip dry only.