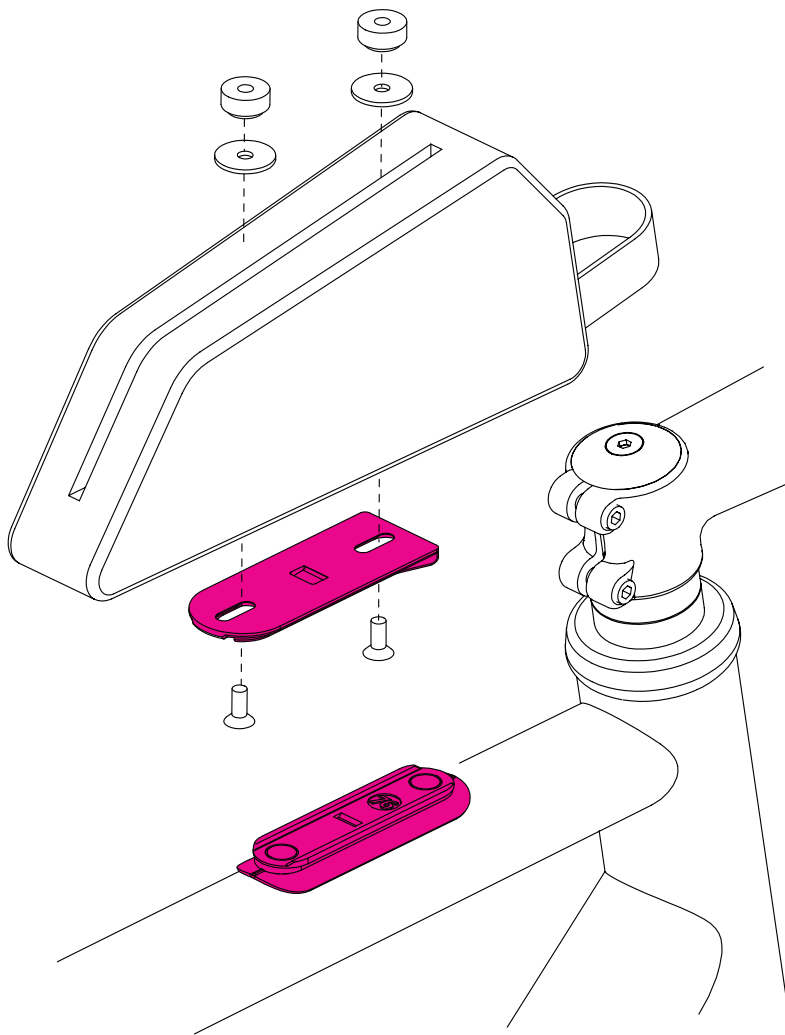


ASS SLIDER

ANTI STRAP SYSTEM
FOR TOP TUBE BAGS

76

PROJECTS



A.S.S SLIDER (Anti Strap System)

provides strapless mounting for top tube bags with or without mounting bosses.

Provides a quick release function, ideal for keeping contents safe at cafe stops.

Works with bolt-on bags and many strap-on bags which can be converted.

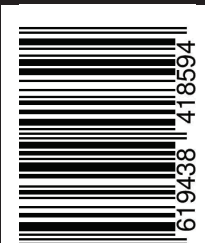
(see links on website)

- Bonds **OR** bolts directly to top tube.
- Slide on/off quick-release.
- No headtube strap required for small bags / bento boxes.
- Large bags may require use of the headtube strap or ASS CLIP.



DESIGNED & MANUFACTURED IN THE UK.

76PROJECTS.COM



SKU - 0019

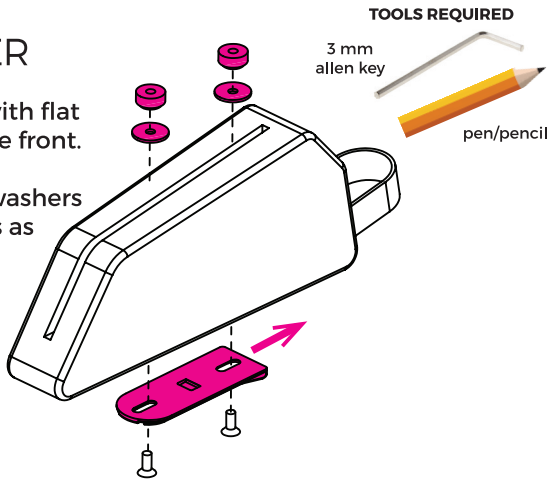
WHATS INCLUDED?



BAG SLIDER

Align bracket with flat edge toward the front.

Install screws, washers and thumbnuts as per diagram.

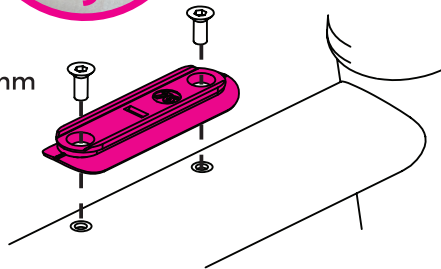


BIKE SLIDER - DIRECT MOUNT

Push out hole plugs using a blunt tool.



Secure in place using supplied screws and 3mm allen key.



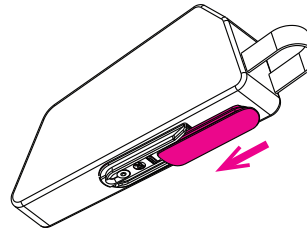
BIKE SLIDER - ADHESIVE

APPLY IN A WARM, DRY ENVIRONMENT. ENSURE SURFACES & HANDS ARE GREASE FREE.

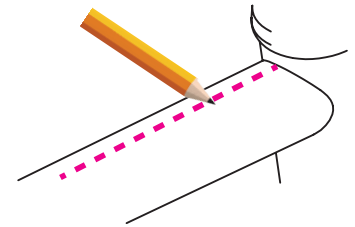
REMOVE BY GENTLY HEATING WITH A HAIR DRYER.



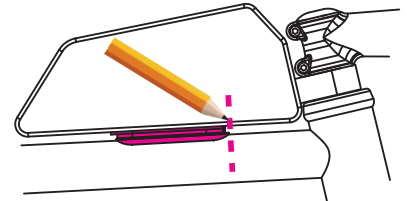
Apply adhesive pad firmly pressing all areas.



Slide onto bag.
(Removal may require a lot of force)



Mark a centre line on top tube.



Place on bike. Mark a line at the front of the bracket.

Slide bracket off (may require a lot of force)



Peel back film, align front edge and press firmly.

Ensure alignment, pull away the rest of the film and press firmly.



For non uniform and narrow tubes we advise to hold in place with tape whilst curing.

MEASURE TWICE, STICK ONCE! CURE FOR 24 HOURS.