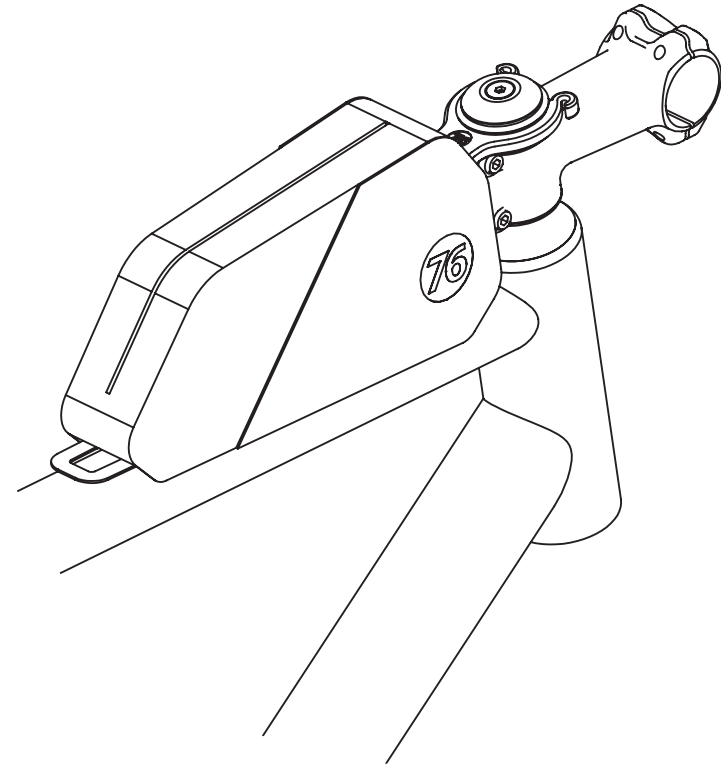


ASS BAG

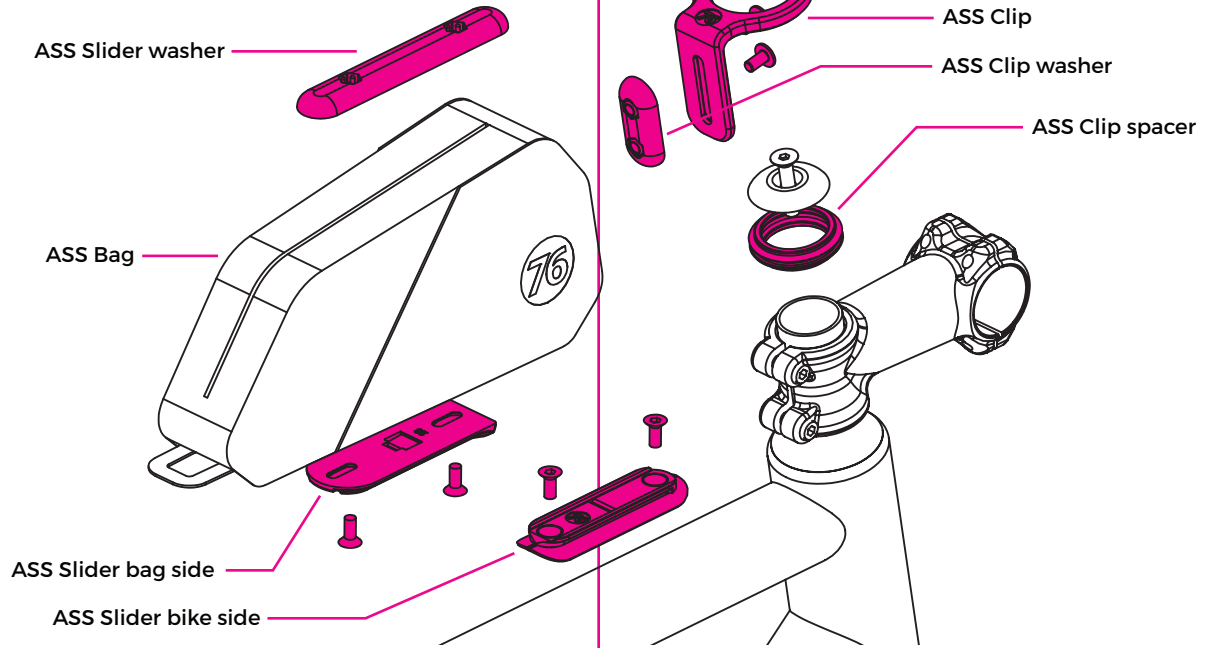
ANTI STRAP SYSTEM TOP TUBE BAG

76

PROJECTS



- Increases stability
- Above or below stem with 8mm spacer.
- Quick Release
- Prevents interference with stem

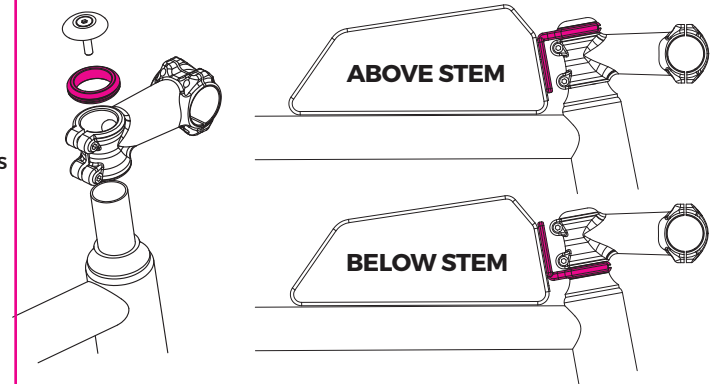


STEM SPACER

Fit stem spacer as per your bike manufacturers stem fitting guidelines.

The spacer requires approx 10mm of steerer tube and replaces a standard steerer spacer.

Fit above or below stem to suit your setup.

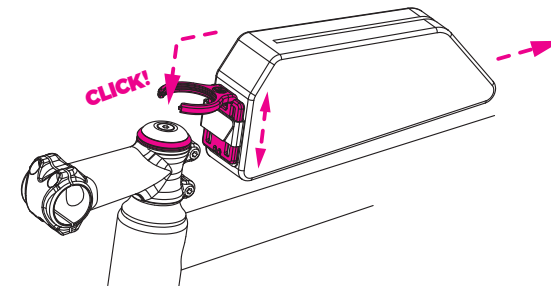


CLIP - ATTACH / REMOVE

To attach clip, position centrally over spacer and push down until you hear a click!

Adjust bag height by sliding straps within the clip slots.

Pull back using the finger loop to remove.

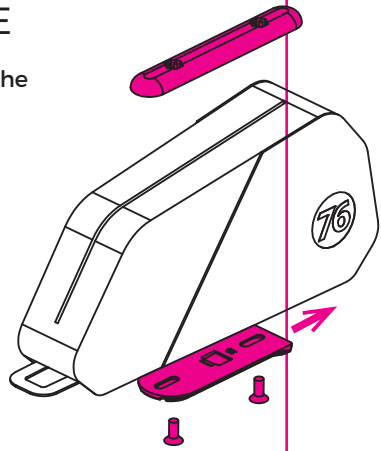


BAG SLIDER - BAG SIDE

Align bracket with flat edge toward the front.

Insert spine washer inside bag.

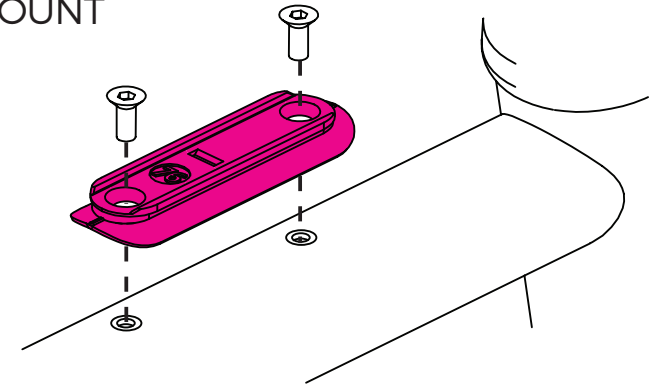
Puncture through chosen holes and install screws using allen key.



BIKE SLIDER - BIKE SIDE DIRECT MOUNT

Push out hole plugs using a blunt tool.

Secure in place using supplied screws and 3mm allen key.

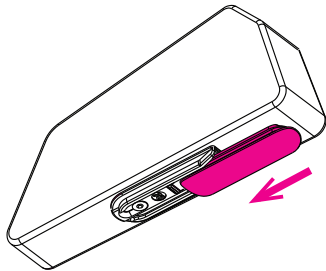


BIKE SLIDER - BIKE SIDE STICK ON

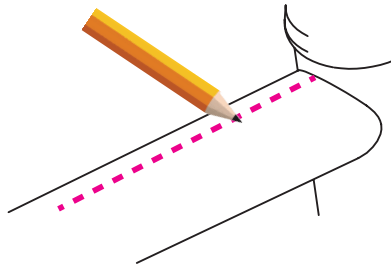
APPLY IN A WARM, DRY ENVIRONMENT. ENSURE SURFACES & HANDS ARE GREASE FREE. REMOVE BY GENTLY HEATING WITH A HAIR DRYER. MEASURE TWICE, STICK ONCE! CURE FOR 24 HOURS.



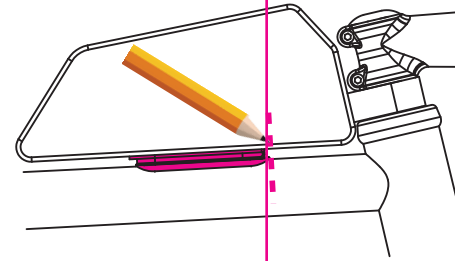
Apply adhesive pad firmly pressing all areas.



Slide onto bag. (Removal may require alot of force)



Mark a centre line on top tube.



Place on bike. Mark a line.

Slide bracket off (may require alot of force)



Peel back film, align front edge and press firmly.

Ensure alignment, pull away the rest of the film and press firmly.



For non uniform and narrow tubes we advise to hold in place with tape whilst curing.